

### Angle Connector EV CC 41-1

Group: 1352

#### Application

Pre-assembled connecting element for frame structures, optimised for linking channels of the 41 series at an angle of 90°. Preferably used in combination with 41/41 square channels. The adjustment for the channel opening could still be chosen.

- ◆ Fast-Technique for 90° joints of Channel System 41.
- ◆ Locks automatically when being put in place and supports its own weight.
- ◆ Secure, form-locking, non-positive connection. Serrated Channel Nut with Hexagon Bolt M10.
- ◆ Ideal shaping for high stiffness.
- ◆ The proven Sikla rhomb guarantees a secure torque and preload force.

#### Scope of delivery

With Speed Nut and Hexagon Bolt SKT (supplied loose).

#### Installation

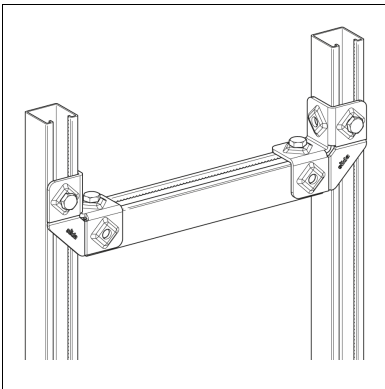
To be used in pairs.

#### Technical Data

Max. perm. working load: 5.0 kN centre load per crossbar fixed with 2 Angle Connectors EV CC 41-1

Tightening torque: 40 Nm

Material: Steel, electro-galvanised



Type	W [kg]	Quantity [pack]	Part number
EV CC 41-1	0.38	25	<b>117338</b>

