

Cantilever Bracket AK 27 - 1,25

Group: 2754

Application

Recommended for wall suspension or fixing to other building structures.

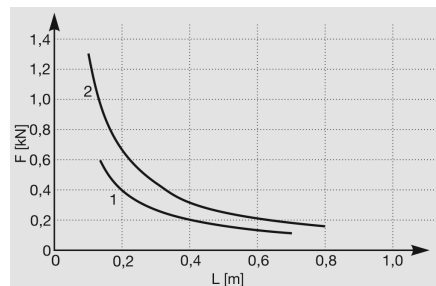
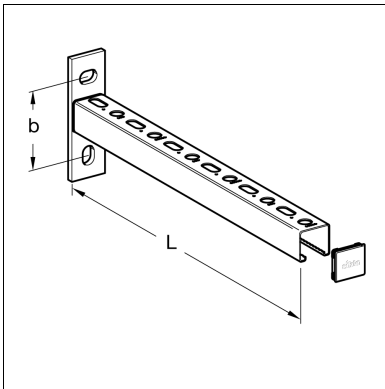
Installation

For cantilever projections in excess of 500mm we recommend a vertical brace and for lateral forces on the cantilever, use a lateral brace connected via Fixing Bracket MW S 45/30/90

Technical Data

1 = Type 27/25

2 = Type 27/37



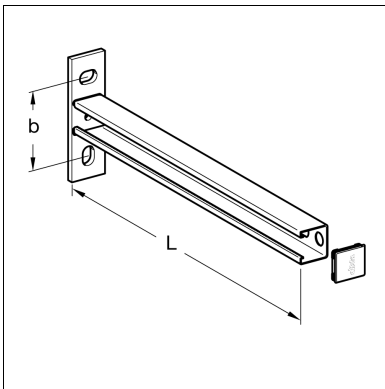
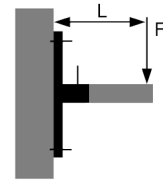
Perm. anchor loads to be considered

$$\sigma_{act.} \leq \sigma_{adm.}$$

$$f_{adm.} \leq L/150$$

Max. torsional moment Mt_{max} without considering the torsional angle

$$Mt_{max} = 20 \text{ Nm}$$



Material: Steel, electro-galvanised

Type	L [mm]	b [mm]	Dimensions of elongated hole [mm]	W [kg]	Quantity [pack]	Part number
27/25 - 200	203	64	10 x 15	0.25	25	112326
27/25 - 250	253	64	10 x 15	0.29	25	112327
27/25 - 300	303	64	10 x 15	0.34	25	112328
27/25 - 500	503	64	10 x 15	0.49	25	112329
27/25 - 700	703	64	10 x 15	0.65	1	112330
27/25 q - 300	303	64	10 x 15	0.34	25	112366
27/37 - 300	304	64	10 x 15	0.43	25	111458
27/37 - 500	504	64	10 x 15	0.64	25	111459
27/37 - 700	704	64	10 x 15	0.84	1	111460
27/37 - 800	804	64	10 x 15	0.96	1	111461

