

T-Head Bolt HM 27

Group: 2715

Application

Suitable for Sikla Channels MS 27.

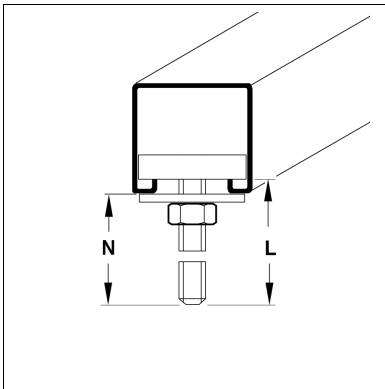
Scope of delivery

Pre-assembled with washer and nut.

> When using a Holding Bracket for type HM 27 M10, the washer is not needed.

Technical Data

Material: Steel, cold-forged, electro-galvanised



Type	Length L [mm]	Available length of thread [mm]	W [kg]	Quantity [pack]	Part number
HM 27 M8 x 10/14	15	10	0.02	50	106467
HM 27 M8 x 15/14	20	15	0.03	50	106476
HM 27 M8 x 25/14	30	25	0.03	50	106485
HM 27 M10 x 15/14	20	15	0.03	50	106494
HM 27 M10 x 25/14	30	25	0.04	50	106500