

Angle Connector CN CC 27-90°

Group: 2726

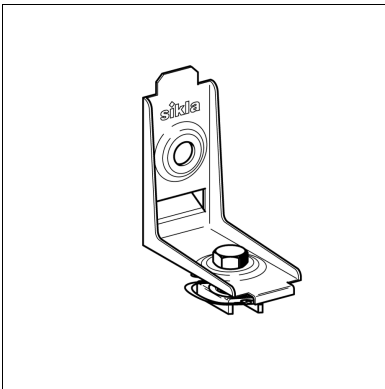
Application

Pre-assembled connecting angle especially for frames made of Channels MS 27. Type W for connection to wall, floor or ceiling.

- ◆ Quick-locking mechanism for 90° junction of CC-27 system.
- ◆ By pressing on the bolt head the connector automatically locks into the channel, supporting its own weight and retaining its position, enabling easy adjustment.
- ◆ Secure form-locked connection. Serrated channel nut with M8 clamping bolt. Stiff and strong due to high-performance steel and geometric design.

Technical Data

Working load: $F_{X_{shear}} = 0,8 \text{ kN}$ per Angle Connector
 Tightening torque: 10 Nm
 Material: Steel, electro-galvanised



Type	W [kg]	Quantity [pack]	Part number
CC 27-90°	0.09	50	195772
CC 27-90° W	0.07	50	195789