



Pipe Joint Engineering A/S

PRODUCT SHEET



Product name:

Scanclamp Robust 3T

Application:

Heavy duty pipe clamp for fixing of different types of pipes.
Also HVAC and Fire Sprinkler

Approvals:

FM approved. Approval nr. 3056119



Material:

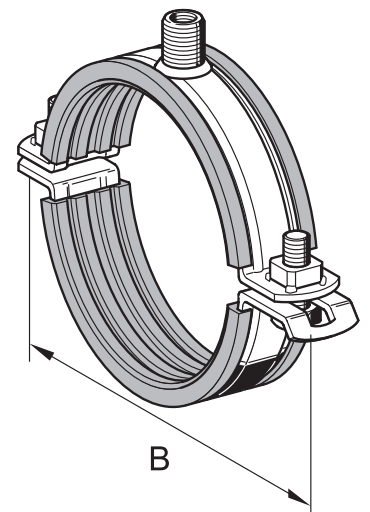
Steel, elektro galvanized. Fore indoor use.
Connection nut 3T, is Fully welded for high load.
the 3T nut has 2 inside threads and 1 outside.

Load Capacity:

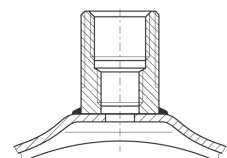
Dimension area [mm]	Max. load capacity
14 - 65	2,0 KN
64 - 121	2,5 KN
124 - 162	3,5 KN
165 - 273	6,0 KN

Rubber:

Type: EPDM
Temperature: -50°C / +120



- Ø14 – Ø65
M8/M10/ R3/8"
- Ø67 – Ø121
M10/M12/ R3/8"
- Ø124 – Ø273
M12/M16/ R1/2"





Pipe Joint Engineering A/S

PRODUCT SHEET

Part no.	nom dia.	Size	Material	Bolts	Connection	B	Weight	Pieces
	["]	mm.				mm.	Kg.	Per box
253018	3/8"	14-18	25X2.0	M6	3/8"/M10/M8	57	0,07	50
253021	1/2"	19-23	25X2.0	M6	3/8"/M10/M8	62	0,08	50
253027	3/4"	24-28	30x2,5	M6	3/8"/M10/M8	68	0,08	50
253030		29-33		M6	3/8"/M10/M8	73	0,10	50
253034	1"	33-37	30X2.5	M6	3/8"/M10/M8	75	0,12	50
253042	1-1/4"	40-45	30X2.5	M6	3/8"/M10/M8	85	0,13	50
253048	1-1/2"	47-52	30X2.5	M6	3/8"/M10/M8	93	0,15	50
253054		53-58	30X2.5	M6	3/8"/M10/M8	104	0,16	50
253060	2"	60-65	30X2.5	M6	3/8"/M10/M8	110	0,17	50
253070		67-72	30X3,0	M8	3/8"/M12/M10	117	0,18	50
253080	2-1/2"	73-80	30x3.0	M8	3/8"/M12/M10	137	0,28	25
253085		79-85	30x3.0	M8	3/8"/M12/M10	143	0,29	25
253089	3"	88-93	30x3.0	M8	3/8"/M12/M10	149	0,31	25
253095		94-100	30x3,0	M8	3/8"/M12/M10	156	0,32	25
253100		100-106	30x3.0	M8	3/8"/M12/M10	163	0,34	25
253114	4"	108-114	30x3.0	M8	3/8"/M12/M10	171	0,36	25
253120		118-121	30x3,0	M8	3/8"/M12/M10	178	0,37	25
253125		124-129	40x4.0	M12	1/2"/M16/M12	184	0,39	25
253135		131-137	40x4.0	M12	1/2"/M16/M12	210	0,74	10
253139	5"	138-144	40x4.0	M12	1/2"/M16/M12	218	0,76	10
253150		148-154	40x4.0	M12	1/2"/M16/M12	225	0,81	10
253160		156-162	40x4.0	M12	1/2"/M16/M12	235	0,82	10
253168	6"	165-174	40x4.0	M12	1/2"/M16/M12	243	0,85	10
253180		177-183	40x4.0	M12	1/2"/M16/M12	255	0,95	10
253190		188-194	40x4.0	M12	1/2"/M16/M12	265	0,98	10
253200		196-203	40x4.0	M12	1/2"/M16/M12	276	1,03	10
253210		205-214	40x4.0	M12	1/2"/M16/M12	287	1,07	10
253219	8"	219-225	40x4.0	M12	1/2"/M16/M12	296	1,11	10
253235		233-239	40x4.0	M12	1/2"/M16/M12	313	1,19	10
253250		244-250	40x4.0	M12	1/2"/M16/M12	321	1,23	10
253260		256-262	40x4.0	M12	1/2"/M16/M12	331	1,24	10
253273	10"	267-273	40x4.0	M12	1/2"/M16/M12	344	1,25	10