



Pipe Joint Engineering A/S

PRODUCT SHEET



Product name:

Scanclamp Robust 3T

Application:

Heavy duty pipe clamp for fixing of different types of pipes.
Also HVAC and Fire Sprinkler

Approvals:

FM approved. Approval nr. 3056119

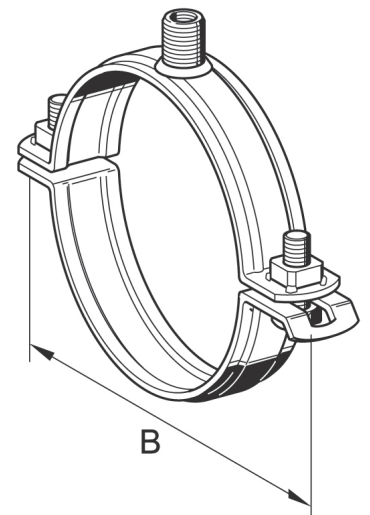


Material:

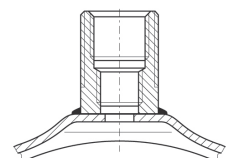
Steel, elektro galvanized. Fore indoor use.
Connection nut 3T, is Fully welded for high load.
the 3T nut has 2 inside threads and 1 outside.

Load Capacity:

| Dimension area [mm] | Max. load capacity |
|---------------------|--------------------|
| 12 - 72 | 2,0 KN |
| 76 - 101 | 2,5 KN |
| 102 - 165 | 3,5 KN |
| 167 - 234 | 6,0 KN |



- Ø15 – Ø72
M8/M10/ R3/8"
- Ø76 – Ø129
M10/M12/ R3/8"
- Ø133 – Ø284
M12/M16/ R1/2"





Pipe Joint Engineering A/S

PRODUCT SHEET

| Part no. | nom dia. | Size | Material | Bolts | Connection | B | Weight | Pieces |
|----------|----------|---------|----------|-------|--------------|-----|--------|---------|
| | ["] | mm. | | | | mm. | Kg. | Per box |
| 254018 | 3/8" | 15-19 | 25X2.0 | M6 | 3/8"/M10/M8 | 57 | 0,07 | 50 |
| 254021 | 1/2" | 20-24 | 25X2.0 | M6 | 3/8"/M10/M8 | 62 | 0,08 | 50 |
| 254027 | 3/4" | 25-30 | 25X2.0 | M6 | 3/8"/M10/M8 | 68 | 0,08 | 50 |
| 254034 | 1" | 31-35 | 30X2.5 | M6 | 3/8"/M10/M8 | 75 | 0,12 | 50 |
| 254040 | | 37-41 | 30x2,5 | M6 | 3/8"/M10/M8 | 82 | 0,13 | 50 |
| 254042 | 1-1/4" | 40-45 | 30X2.5 | M6 | 3/8"/M10/M8 | 85 | 0,13 | 50 |
| 254048 | 1-1/2" | 48-53 | 30X2.5 | M6 | 3/8"/M10/M8 | 93 | 0,15 | 50 |
| 254054 | | 54-59 | 30X2.5 | M6 | 3/8"/M10/M8 | 104 | 0,16 | 50 |
| 254060 | 2" | 60-65 | 30X2.5 | M6 | 3/8"/M10/M8 | 110 | 0,17 | 50 |
| 254070 | | 67-72 | 30X2.5 | M6 | 3/8"/M10/M8 | 117 | 0,18 | 50 |
| 254076 | 2-1/2" | 76-81 | 30x3.0 | M8 | 3/8"/M12/M10 | 137 | 0,28 | 25 |
| 254085 | | 82-87 | 30x3.0 | M8 | 3/8"/M12/M10 | 143 | 0,29 | 25 |
| 254089 | 3" | 88-93 | 30x3.0 | M8 | 3/8"/M12/M10 | 149 | 0,31 | 25 |
| 254100 | | 96-101 | 30x3,0 | M8 | 3/8"/M12/M10 | 157 | 0,33 | 25 |
| 254105 | | 102-108 | 30x3.0 | M8 | 3/8"/M12/M10 | 163 | 0,34 | 25 |
| 154114 | 4" | 110-116 | 30x3.0 | M8 | 3/8"/M12/M10 | 171 | 0,36 | 25 |
| 254120 | | 116-123 | 30x3,0 | M8 | 3/8"/M12/M10 | 178 | 0,38 | 25 |
| 254125 | | 124-129 | 30x3.0 | M8 | 3/8"/M12/M10 | 184 | 0,39 | 25 |
| 254139 | | 133-140 | 40x4.0 | M12 | 1/2"/M16/M12 | 210 | 0,74 | 10 |
| 254145 | 5" | 140-148 | 40x4.0 | M12 | 1/2"/M16/M12 | 218 | 0,76 | 10 |
| 254150 | | 149-155 | 40x4.0 | M12 | 1/2"/M16/M12 | 225 | 0,81 | 10 |
| 254160 | | 159-165 | 40x4.0 | M12 | 1/2"/M16/M12 | 235 | 0,82 | 10 |
| 254168 | 6" | 167-173 | 40x4.0 | M12 | 1/2"/M16/M12 | 243 | 0,85 | 10 |
| 254180 | | 176-184 | 40x4.0 | M12 | 1/2"/M16/M12 | 255 | 0,95 | 10 |
| 254190 | | 188-194 | 40x4.0 | M12 | 1/2"/M16/M12 | 265 | 0,98 | 10 |
| 254200 | | 199-205 | 40x4.0 | M12 | 1/2"/M16/M12 | 276 | 1,03 | 10 |
| 254210 | | 207-216 | 40x4.0 | M12 | 1/2"/M16/M12 | 287 | 1,07 | 10 |
| 254219 | 8" | 219-225 | 40x4.0 | M12 | 1/2"/M16/M12 | 296 | 1,11 | 10 |
| 254230 | | 230-236 | 40x4.0 | M12 | 1/2"/M16/M12 | 310 | 1,22 | 10 |
| 254250 | | 244-250 | 40x4.0 | M12 | 1/2"/M16/M12 | 321 | 1,23 | 10 |
| 254260 | | 255-261 | 40x4.0 | M12 | 1/2"/M16/M12 | 331 | 1,24 | 10 |
| 254273 | 10" | 267-273 | 40x4.0 | M12 | 1/2"/M16/M12 | 344 | 1,25 | 10 |
| 254280 | | 278-284 | 40x4.0 | M12 | 1/2"/M16/M12 | 355 | 1,35 | 10 |