

U Clamp RUC

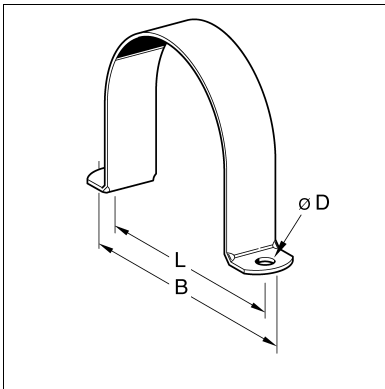
Group: 1203

Application

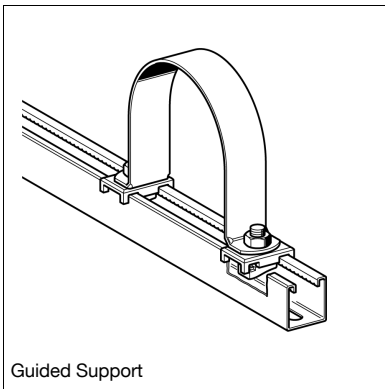
For mounting pipes directly on a support, especially suitable as a replacement for U Bolts in connection with channels or cantilever brackets. When using T Bolts, their washer can be used in between the channel and the U Clamp. Dimensions and cross-sections are in keeping with the VdS standard.

Technical Data

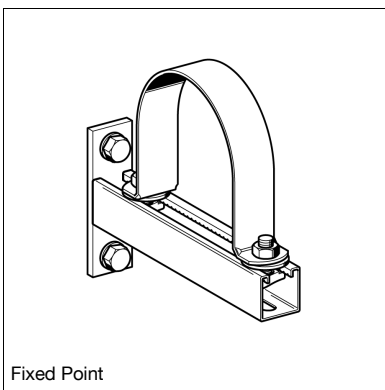
Material: Steel, pre-galvanised as per DIN EN 10346



| Type | For pipe | Material [mm] | B [mm] | L [mm] | Ø D [mm] | W [kg] | Quantity [pack] | Part number |
|------|----------|---------------|--------|--------|----------|--------|-----------------|-------------|
| 18 | 3/8" | 30 x 2.5 | 69 | 49 | 9 | 0.09 | 50 | 159012 |
| 22 | 1/2" | 30 x 2.5 | 73 | 53 | 9 | 0.05 | 50 | 159021 |
| 28 | 3/4" | 30 x 2.5 | 79 | 59 | 9 | 0.06 | 50 | 159030 |
| 34 | 1" | 30 x 2.5 | 85 | 65 | 9 | 0.07 | 25 | 159049 |
| 43 | 1 1/4" | 30 x 2.5 | 94 | 74 | 9 | 0.08 | 25 | 159058 |
| 49 | 1 1/2" | 30 x 2.5 | 100 | 80 | 9 | 0.11 | 25 | 159067 |
| 61 | 2" | 30 x 2.5 | 112 | 92 | 9 | 0.13 | 25 | 159076 |
| 77 | 2 1/2" | 30 x 2.5 | 128 | 108 | 9 | 0.16 | 25 | 159085 |
| 90 | 3" | 30 x 2.5 | 141 | 121 | 9 | 0.16 | 25 | 159094 |
| 115 | 4" | 40 x 3.0 | 183 | 155 | 13 | 0.31 | 25 | 159100 |
| 141 | 5" | 40 x 3.0 | 209 | 181 | 13 | 0.37 | 10 | 159119 |
| 169 | 6" | 40 x 3.0 | 236 | 207 | 13 | 0.44 | 10 | 159128 |
| 221 | 8" | 40 x 3.0 | 289 | 261 | 13 | 0.55 | 1 | 159137 |
| 275 | 10" | 50 x 5.0 | 375 | 325 | 17 | 1.43 | 1 | 159146 |
| 326 | 12" | 50 x 5.0 | 426 | 373 | 17 | 1.69 | 1 | 159155 |



Guided Support



Fixed Point