

### Stabil D-3G

Group: 1240

#### Application

For installation of pipes required for all M&E services in industrial, residential and public buildings.

#### Scope of delivery

Sizes 15 to 129 mm are equipped with welded nuts for the clamping bolts. On the joint side, the clamping bolt is pre-assembled; the clamping bolt on the opposite side is mounted into the bore hole and retained by a plastic washer, thus preventing any accidental unscrewing.

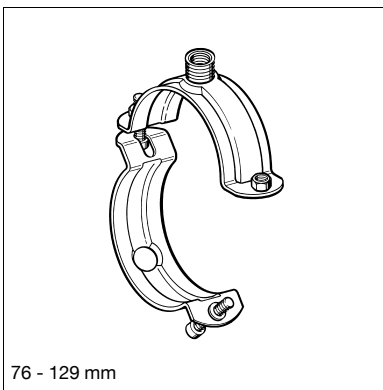
For sizes 133 and larger the clamping bolts and the required nuts are supplied in loose form. From size 31 - 35 mm with welded in 3G triple thread nut.

For further adapter-based connection options via the external thread of the 3G triple thread nut, see product "Adapter AD f/f".

#### Installation

For FM applications use M10 only.

For VdS applications use M10 only if size is >2" to 4".



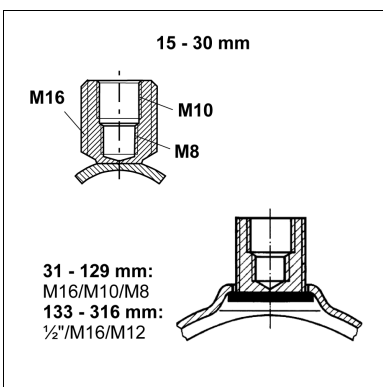
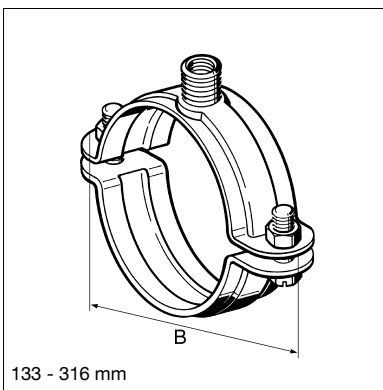
#### Technical Data

Size [mm]	Working load (tension)	Tightening torque [Nm]
15 - 30	2.0 kN	2
31 - 72	5.0 kN	2
76 - 129	5.0 kN	3
133 - 173	8.0 kN	5
176 - 316	12.5 kN	10

Material: Steel, electro-galvanised

#### Approvals / Conformity

VdS-Approval No. G4920027, \* = FM Approval (another pipe clamp with FM Approval is: Stabil D-M16)



Size range [mm]	NB	Material W x th [mm]	Thread connection	B [mm]	W [kg]	Quantity [pack]	Part number
15 - 19	3/8"	25 x 2.0	M16/M10/M8	57	0.07	50	<b>107705</b>
20 - 24	1/2"	25 x 2.0	M16/M10/M8	63	0.08	50	<b>107714</b>
25 - 30	3/4"	25 x 2.0	M16/M10/M8	69	0.08	50	<b>107723</b>
31 - 35 *	1"	30 x 2.5	M16/M10/M8	74	0.12	50	<b>107015</b>
40 - 45 *	1 1/4"	30 x 2.5	M16/M10/M8	85	0.13	50	<b>107024</b>
48 - 53 *	1 1/2"	30 x 2.5	M16/M10/M8	94	0.15	50	<b>107033</b>
54 - 59 *		30 x 2.5	M16/M10/M8	101	0.16	50	<b>107042</b>
60 - 65 *	2"	30 x 2.5	M16/M10/M8	108	0.17	50	<b>107051</b>
67 - 72 *		30 x 2.5	M16/M10/M8	114	0.18	50	<b>107060</b>
76 - 81 M *	2 1/2"	30 x 3.0	M16/M10/M8	137	0.28	25	<b>115759</b>
82 - 87 M *		30 x 3.0	M16/M10/M8	143	0.29	25	<b>115761</b>
88 - 93 M *	3"	30 x 3.0	M16/M10/M8	149	0.31	25	<b>115762</b>
102 - 108 M *		30 x 3.0	M16/M10/M8	163	0.34	25	<b>115763</b>
110 - 116 M *	4"	30 x 3.0	M16/M10/M8	171	0.36	25	<b>115764</b>
124 - 129 M *		30 x 3.0	M16/M10/M8	184	0.39	25	<b>115766</b>
133 - 140 *		40 x 4.0	1/2"/M16/M12	210	0.74	10	<b>107130</b>
140 - 148 *	5"	40 x 4.0	1/2"/M16/M12	218	0.76	10	<b>115885</b>
149 - 155 *		40 x 4.0	1/2"/M16/M12	225	0.81	10	<b>107149</b>
159 - 165 *		40 x 4.0	1/2"/M16/M12	235	0.82	10	<b>107158</b>
167 - 173 *	6"	40 x 4.0	1/2"/M16/M12	243	0.85	10	<b>107167</b>
176 - 184		40 x 4.0	1/2"/M16/M12	255	0.95	10	<b>107176</b>
188 - 194		40 x 4.0	1/2"/M16/M12	265	0.98	10	<b>107185</b>
199 - 205		40 x 4.0	1/2"/M16/M12	276	1.03	10	<b>107194</b>
207 - 216		40 x 4.0	1/2"/M16/M12	287	1.07	10	<b>148939</b>
219 - 225	8"	40 x 4.0	1/2"/M16/M12	296	1.11	10	<b>107200</b>
244 - 250		40 x 4.0	1/2"/M16/M12	321	1.23	10	<b>107219</b>
267 - 273	10"	40 x 4.0	1/2"/M16/M12	344	1.25	10	<b>107228</b>
278 - 284		40 x 4.0	1/2"/M16/M12	355	1.35	10	<b>107237</b>
297 - 303		40 x 4.0	1/2"/M16/M12	374	1.42	10	<b>107246</b>
310 - 316		40 x 4.0	1/2"/M16/M12	387	1.47	10	<b>147600</b>