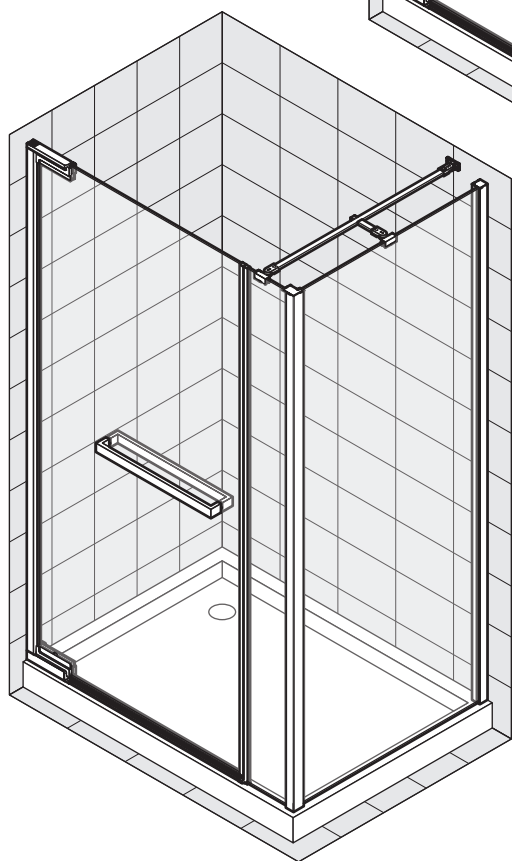
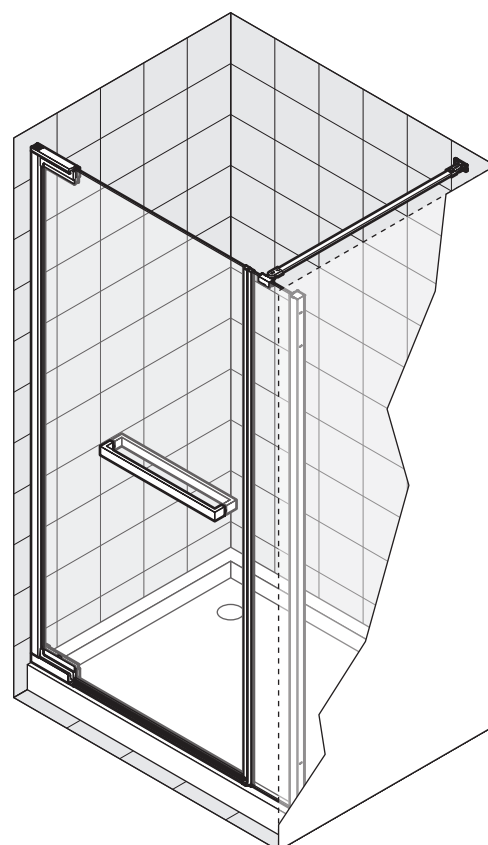
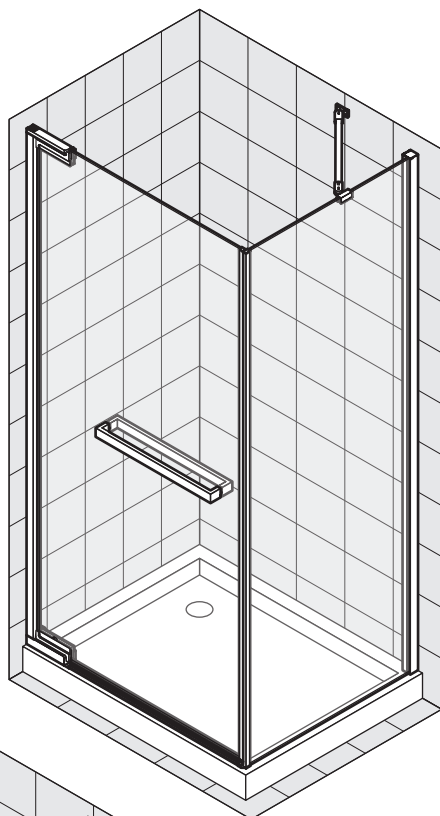
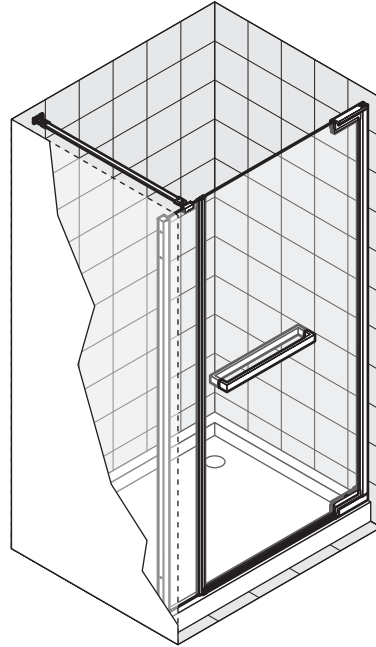
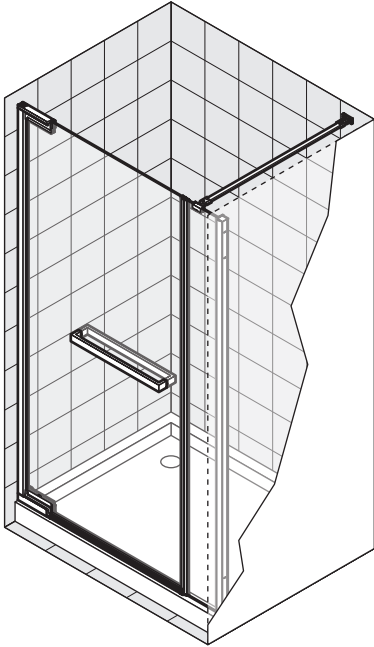


N180

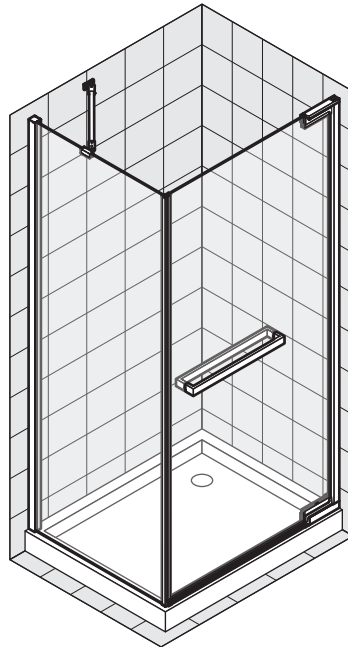
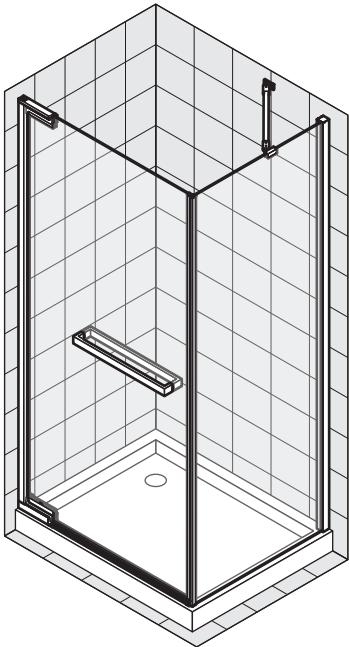
 NOVELLINI

G

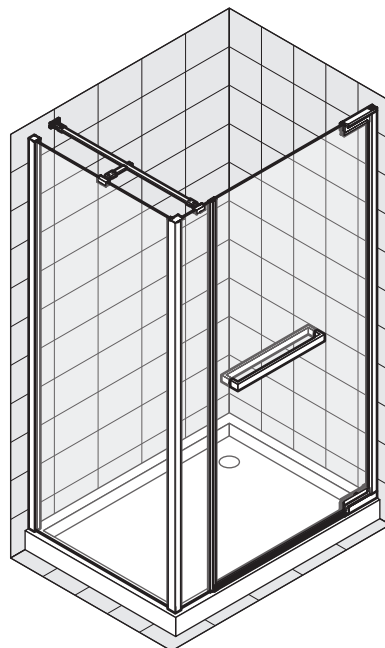
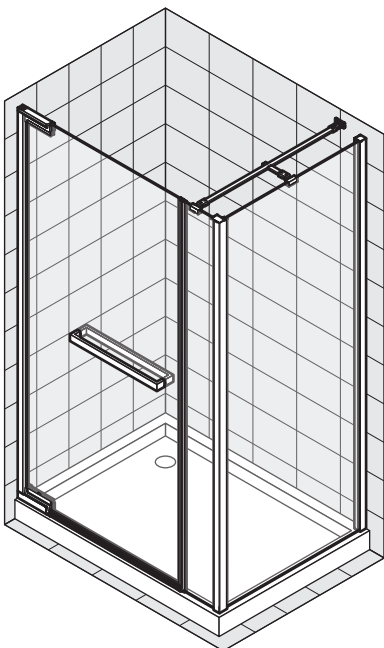


**GFL**

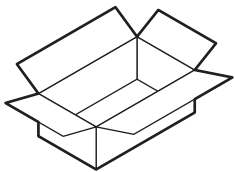
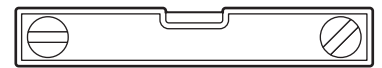
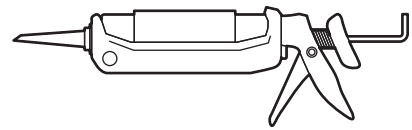
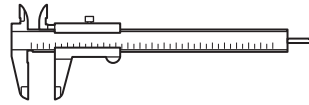
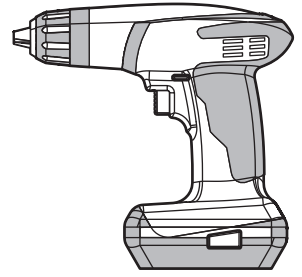
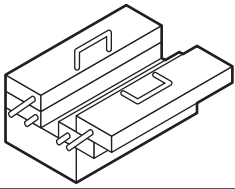


**GF**



**GFL+F**

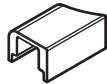




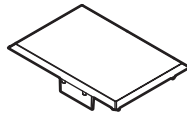
x1



x1



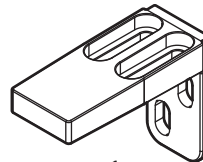
x1



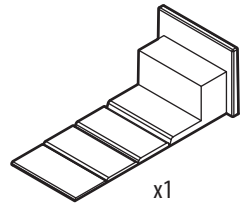
x1



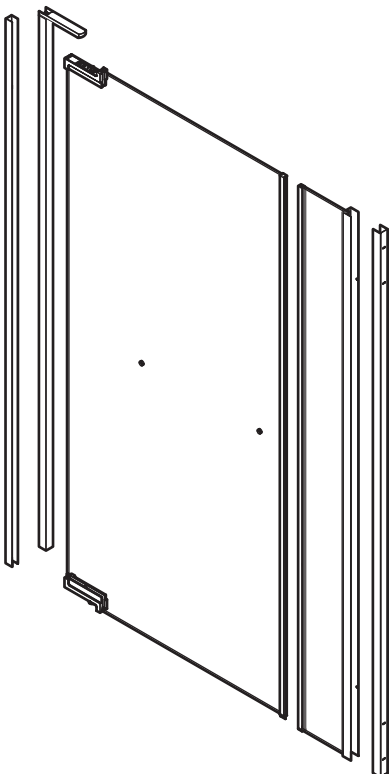
x2



x1



x1



FU8x50 x7



x1



S6 x4



M4x10 x2



x5



4,5x60 x7



3,5x45 x2



4x35 x4



3,5x9,5 x5



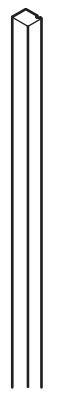
x5



x1



x1



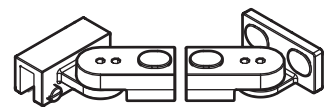
3



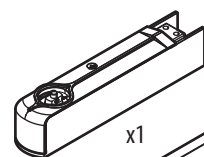
x1



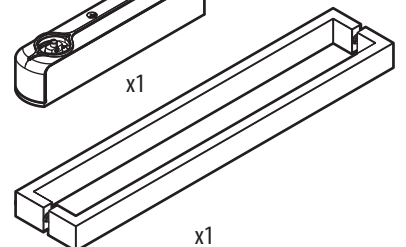
x1



x1



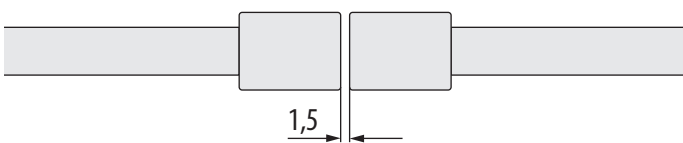
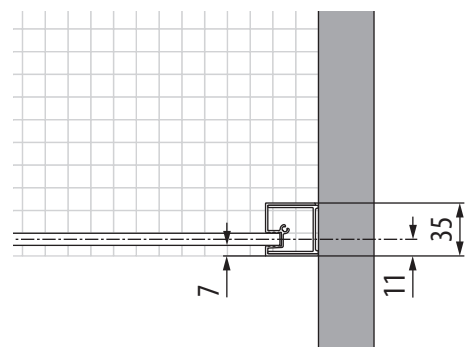
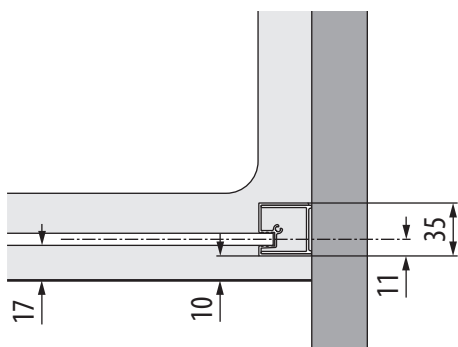
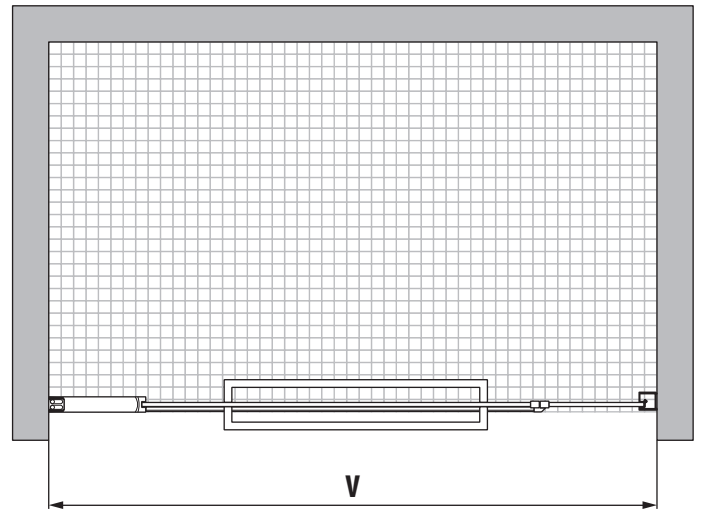
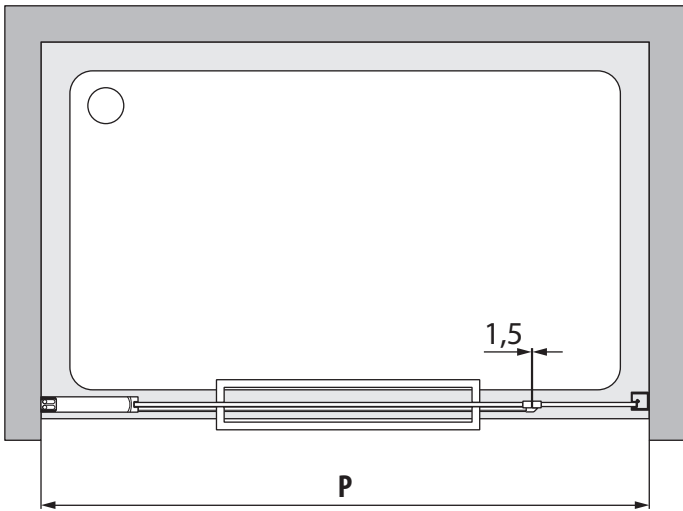
x1



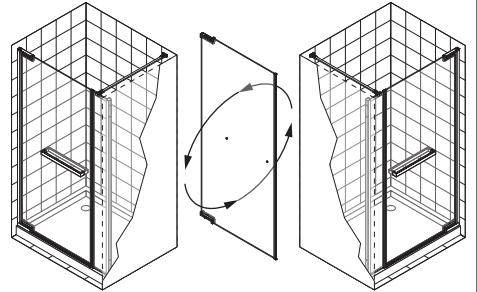
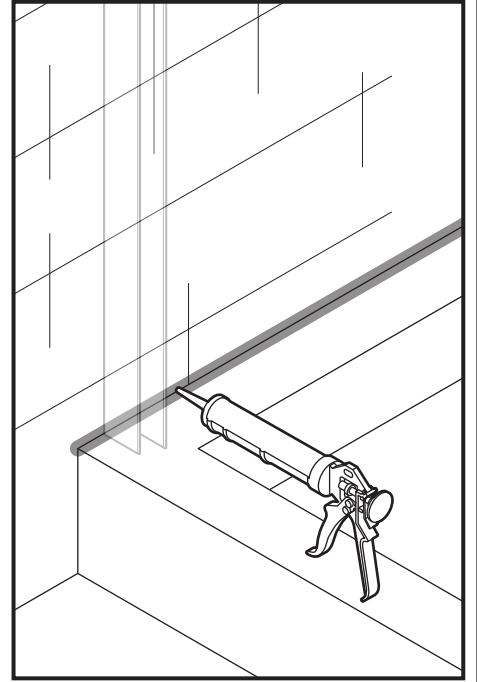
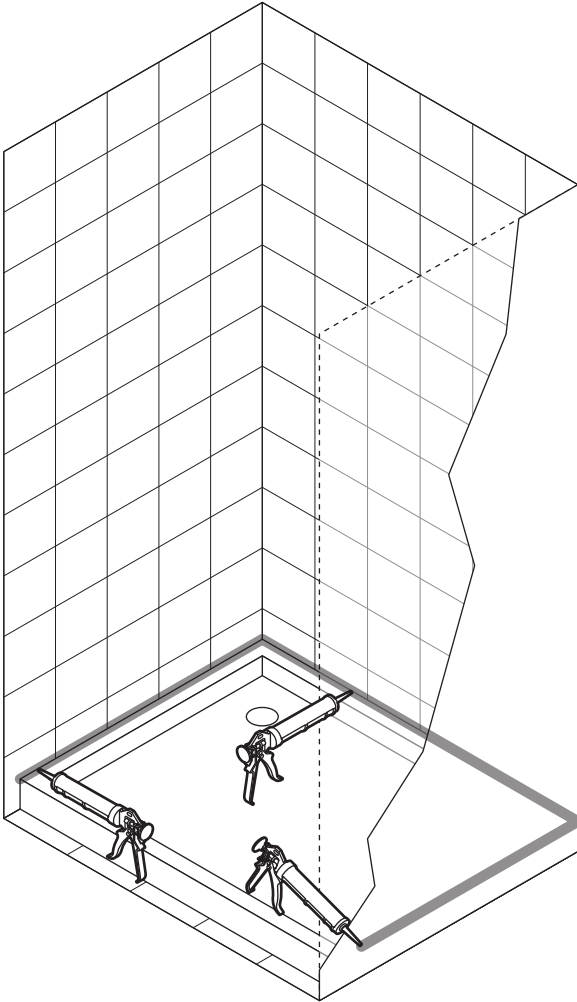
x1

GFL	P
98	970-1000
100	990-1020
118	1170-1200
120	1190-1220
138	1370-1400
140	1390-1420
158	1570-1600
160	1590-1620
178	1770-1800
180	1790-1820

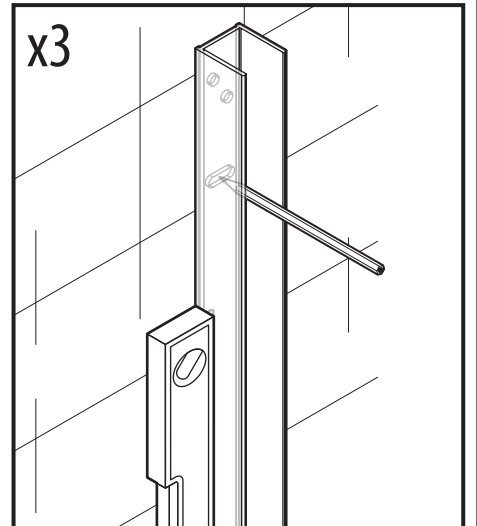
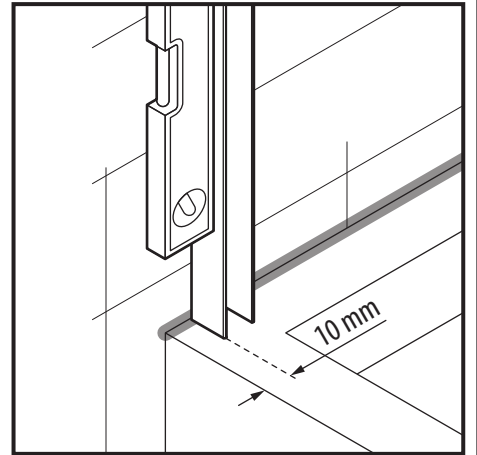
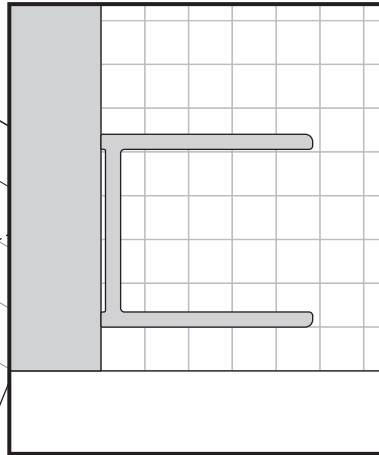
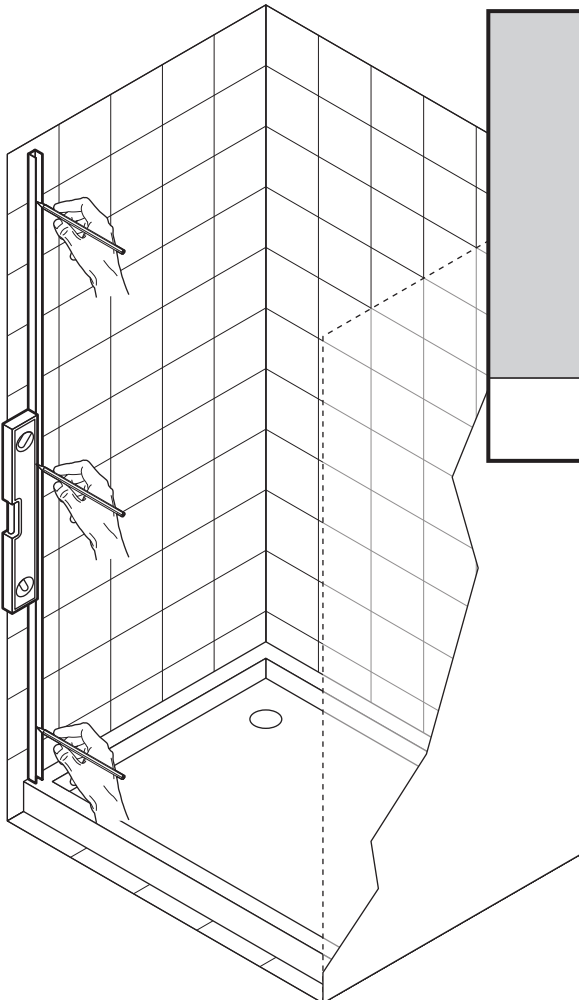
GFL	V
98	970-1000
100	990-1020
118	1170-1200
120	1190-1220
138	1370-1400
140	1390-1420
158	1570-1600
160	1590-1620
178	1770-1800
180	1790-1820



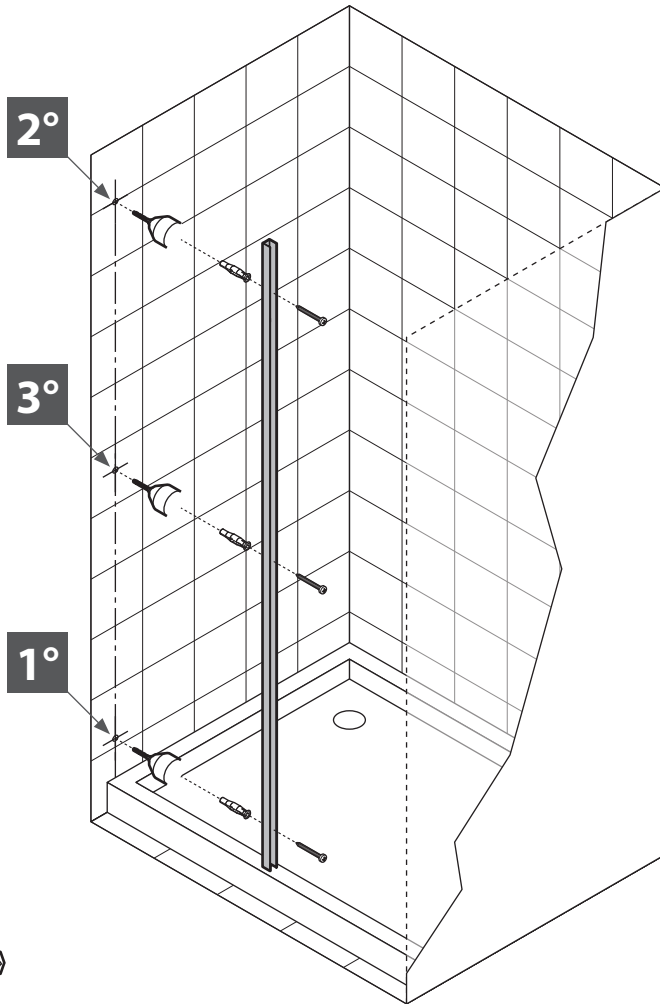
# 1



# 2



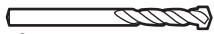
# 3



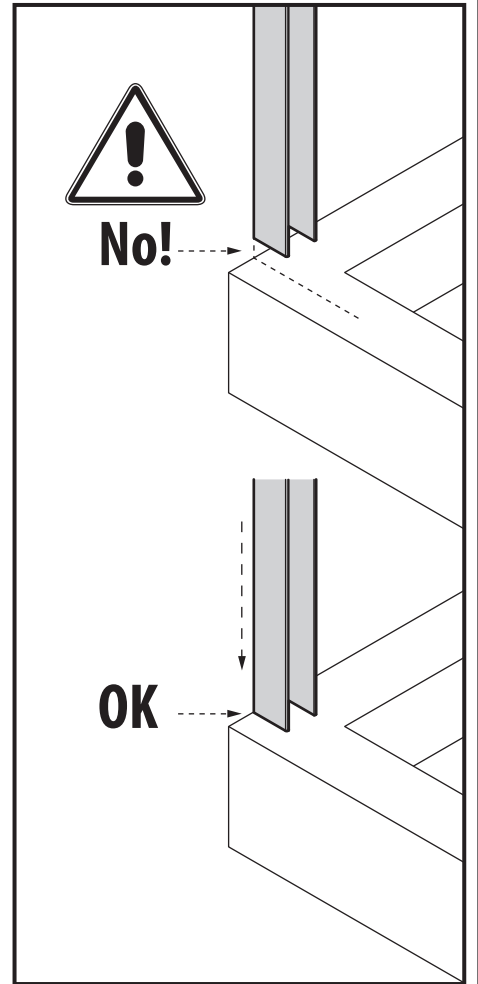
FU8x50 x3



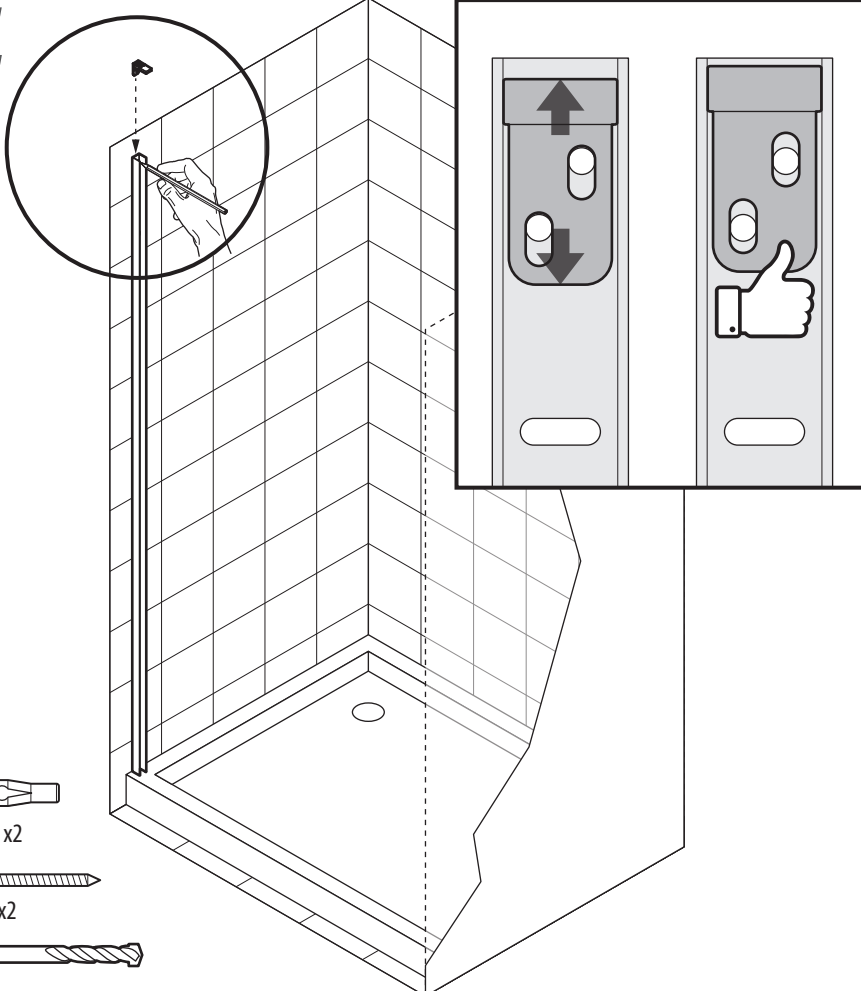
4,5x60 x3



ø8 mm



# 4



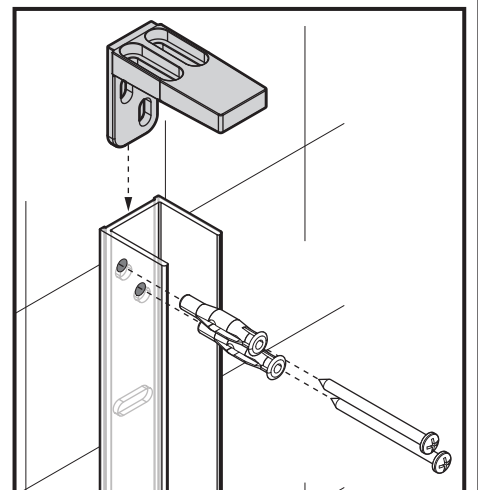
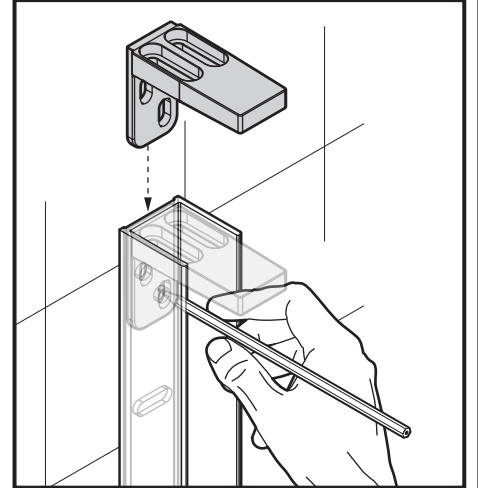
FU8x50 x2



4,5x60 x2

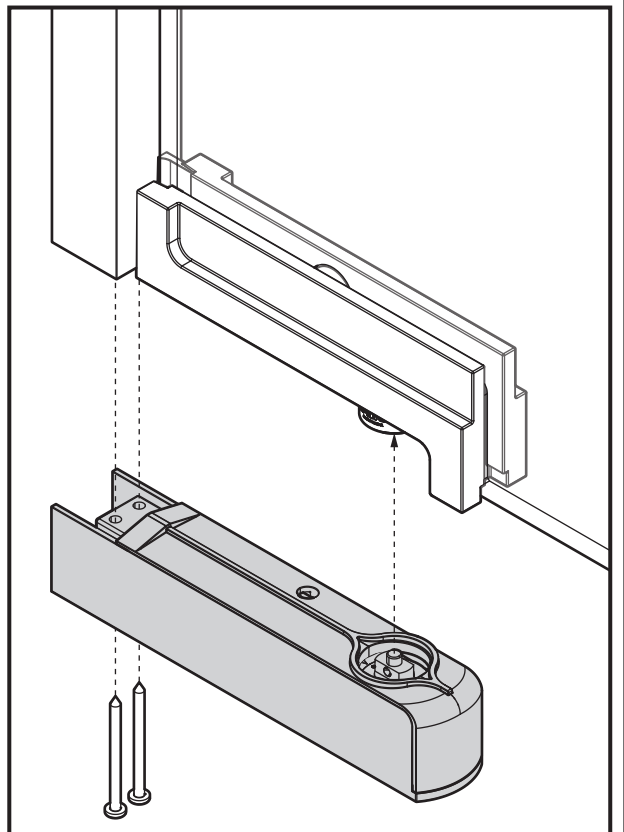
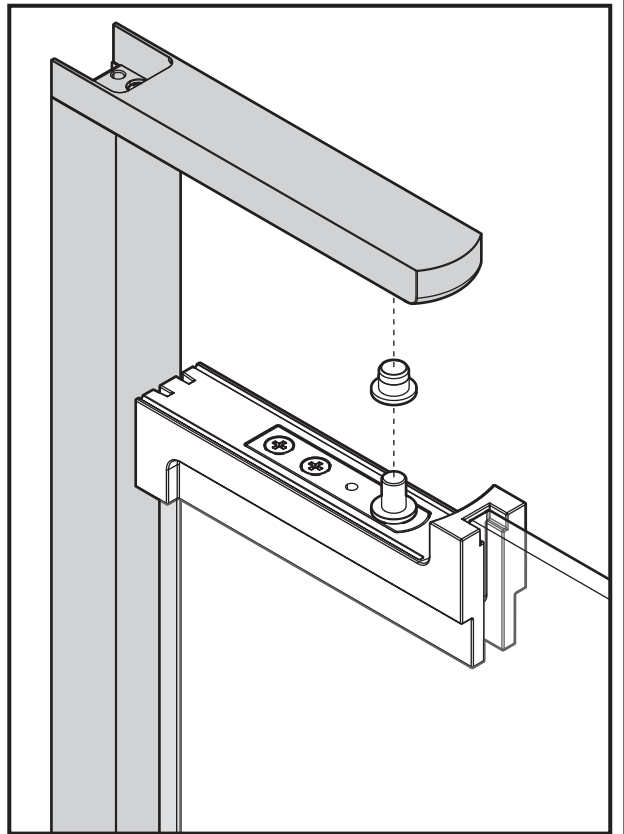
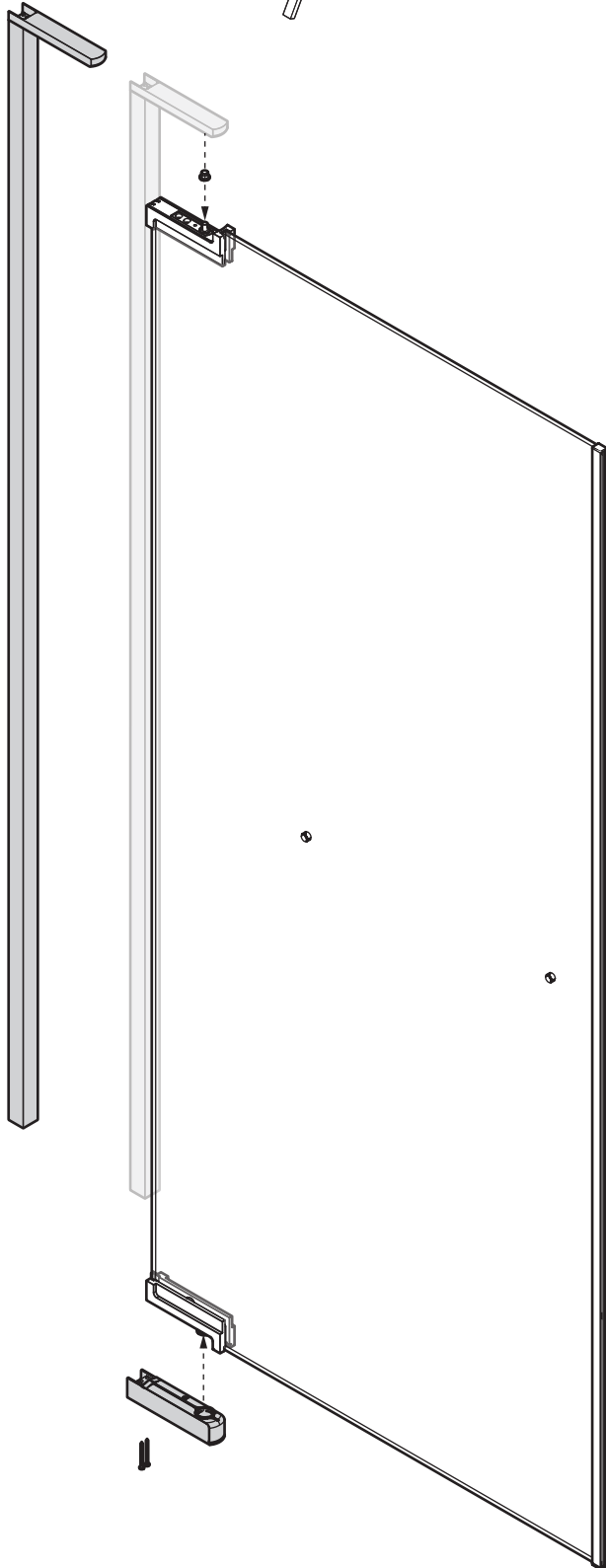
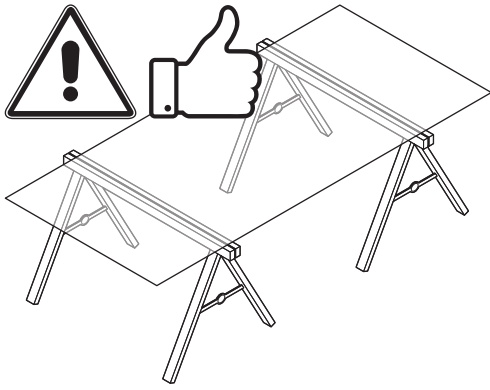


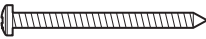
ø8 mm



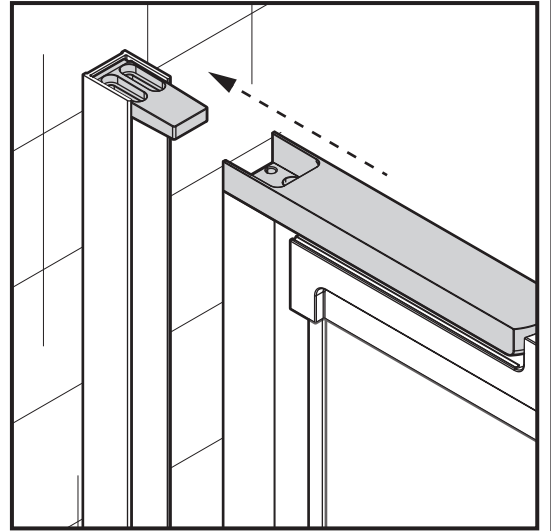
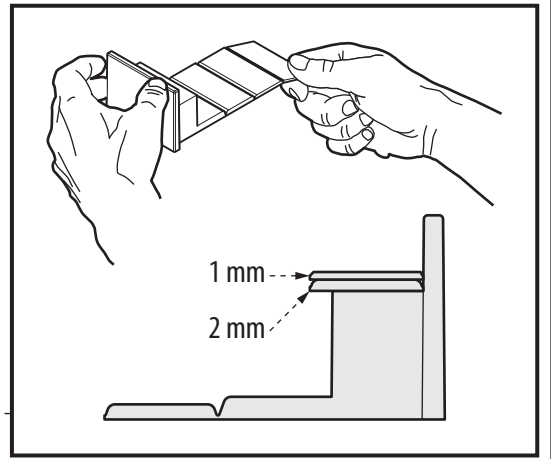
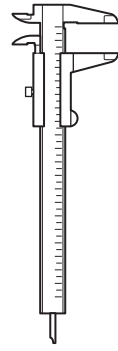
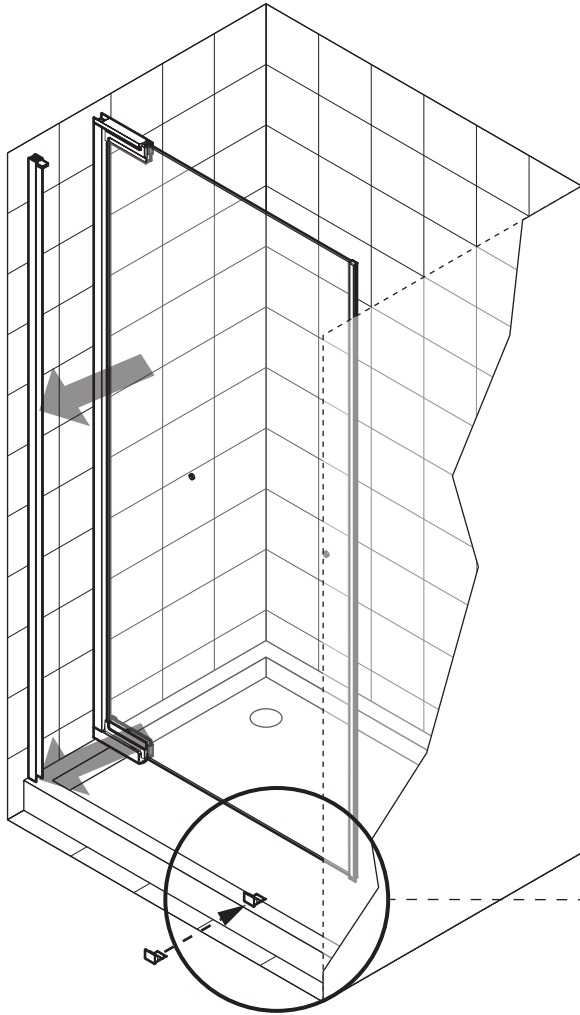
6

# 5

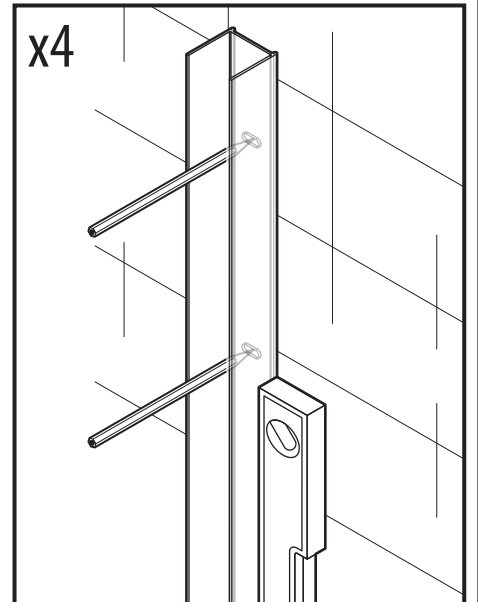
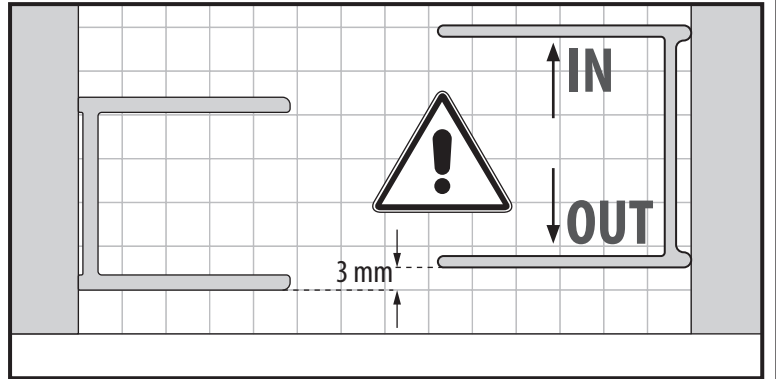
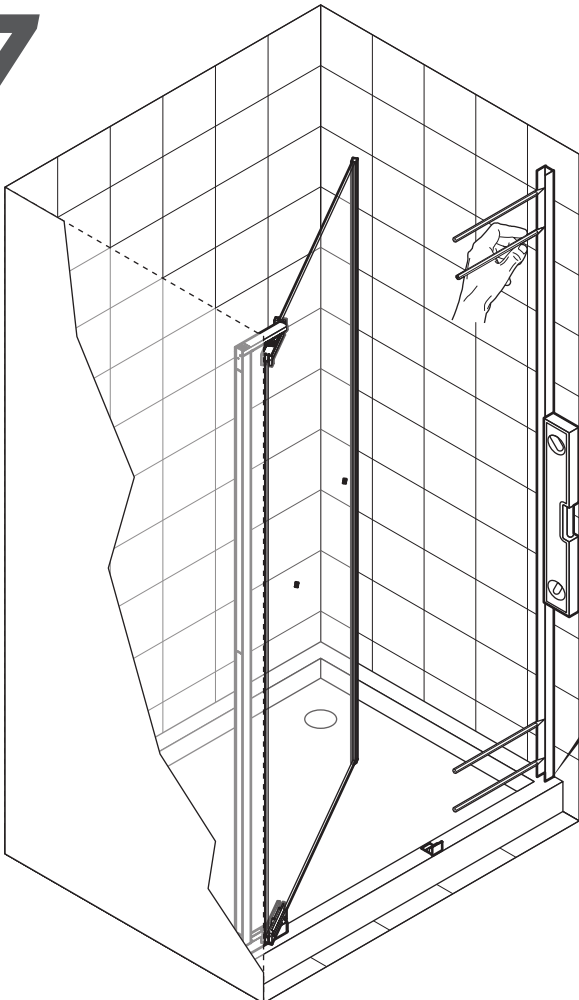


  
3,5x45 x2

# 6

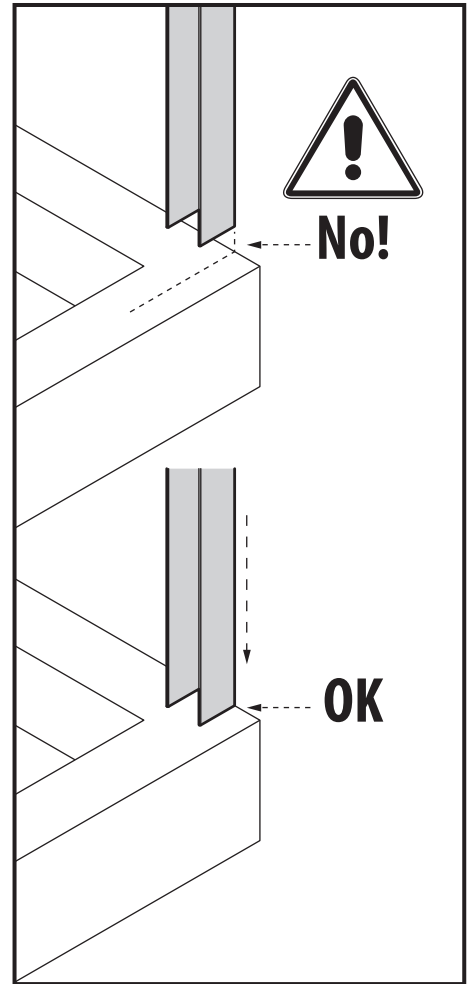
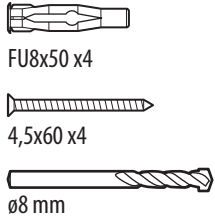
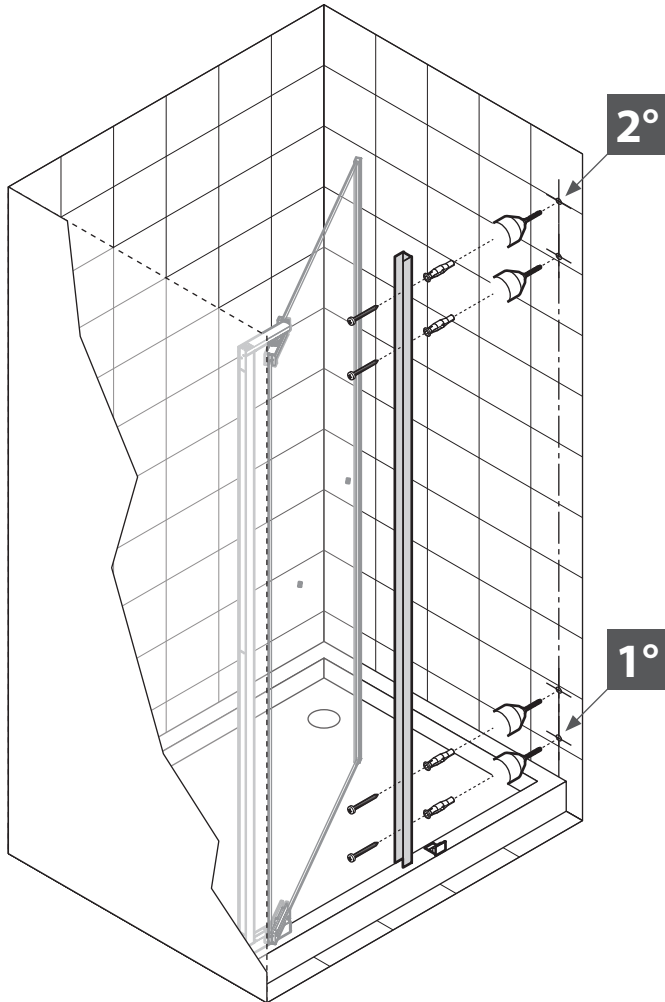


# 7

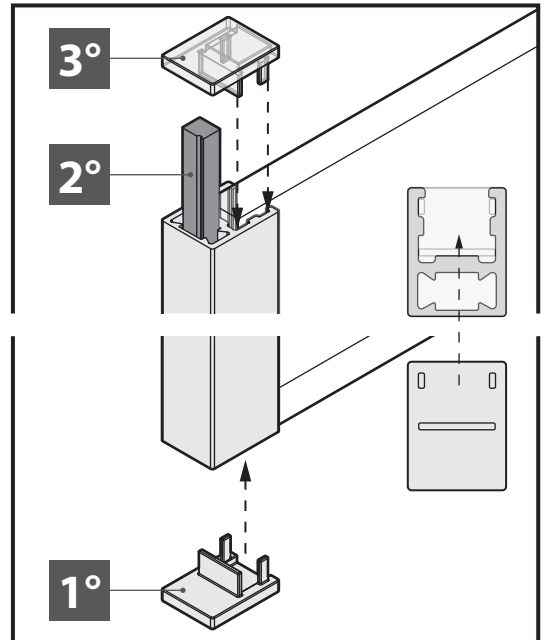
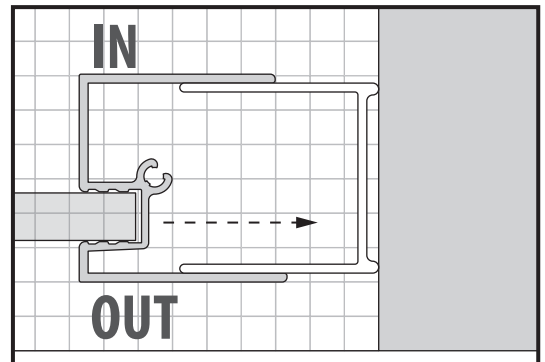
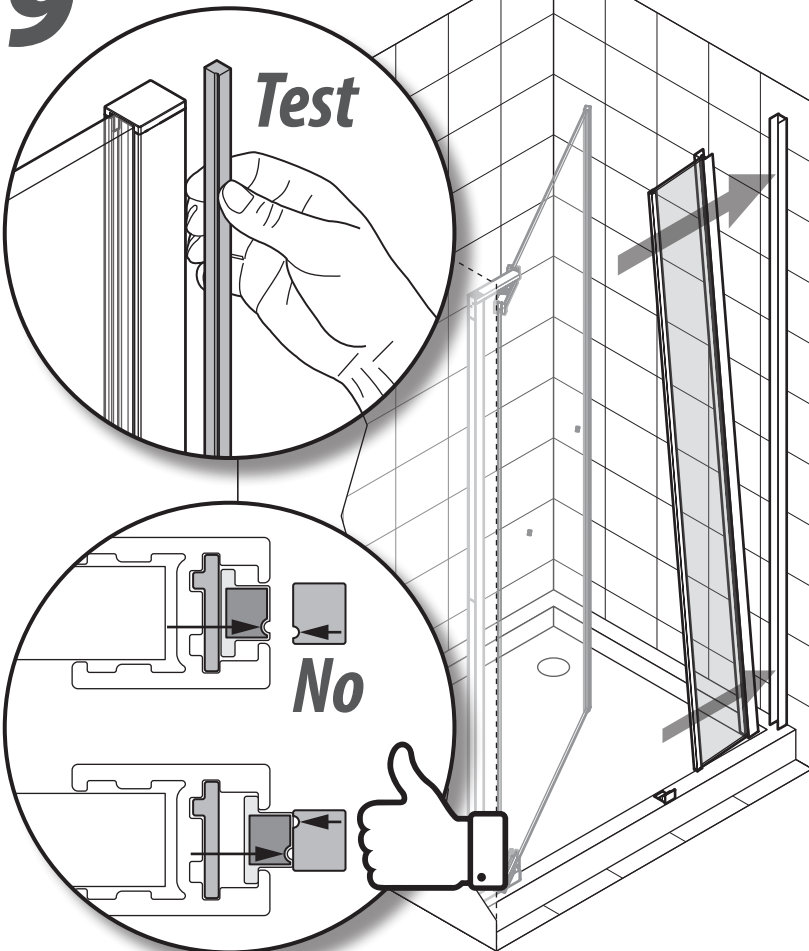




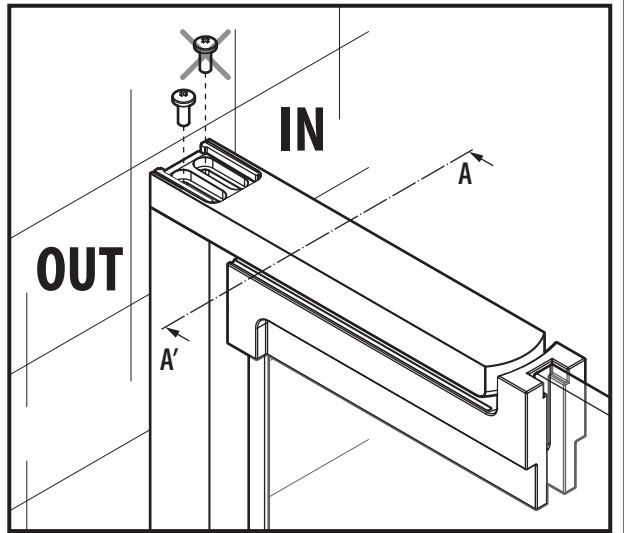
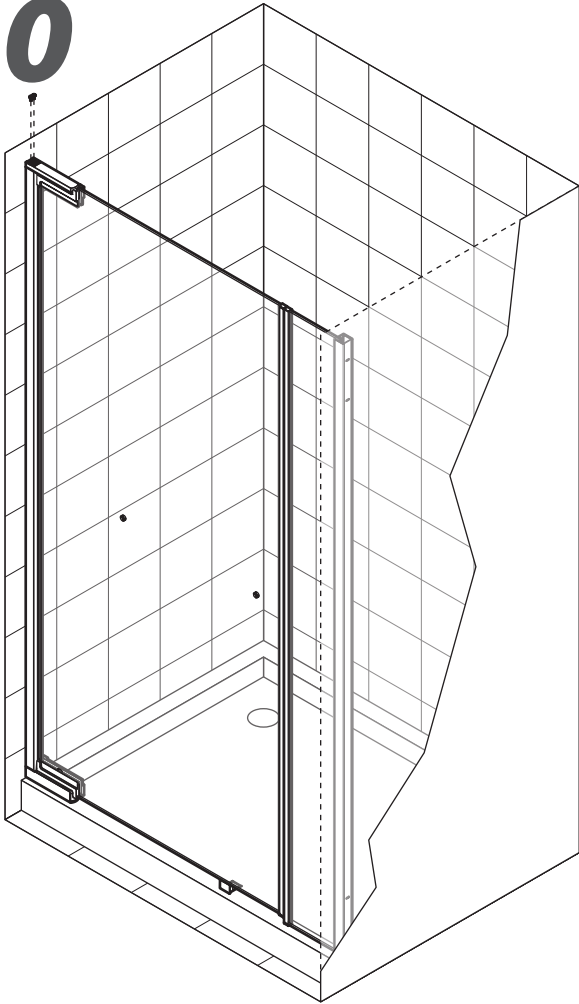
# 8



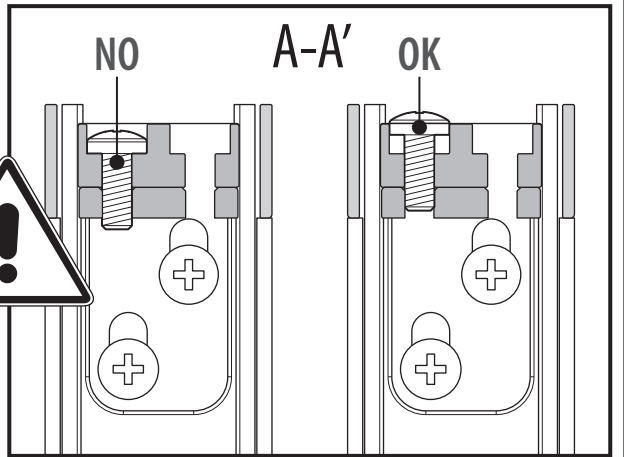
# 9



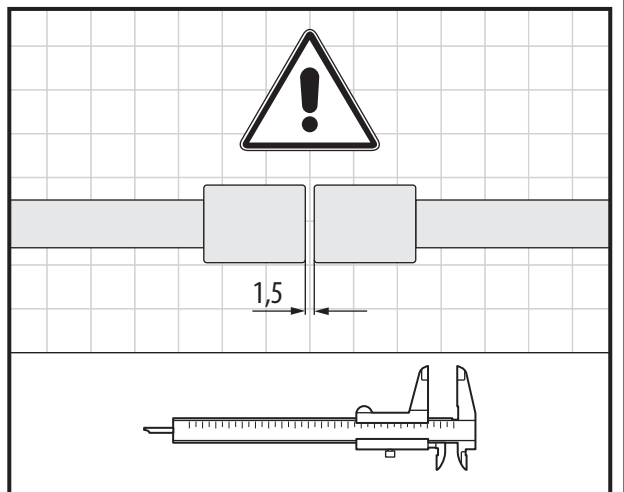
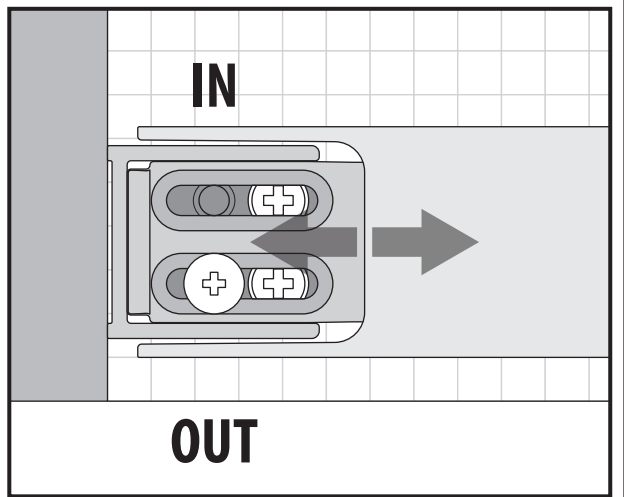
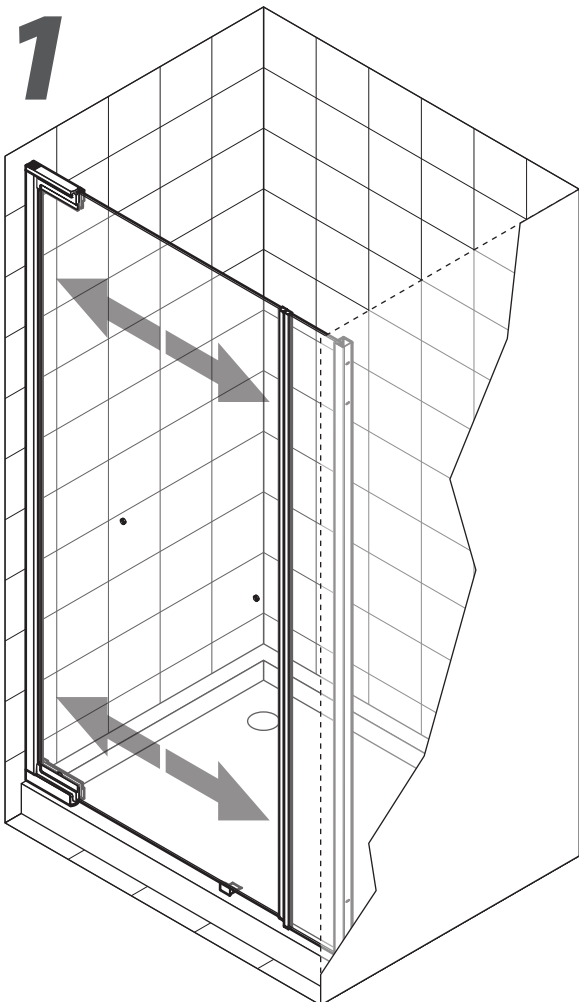
# 10



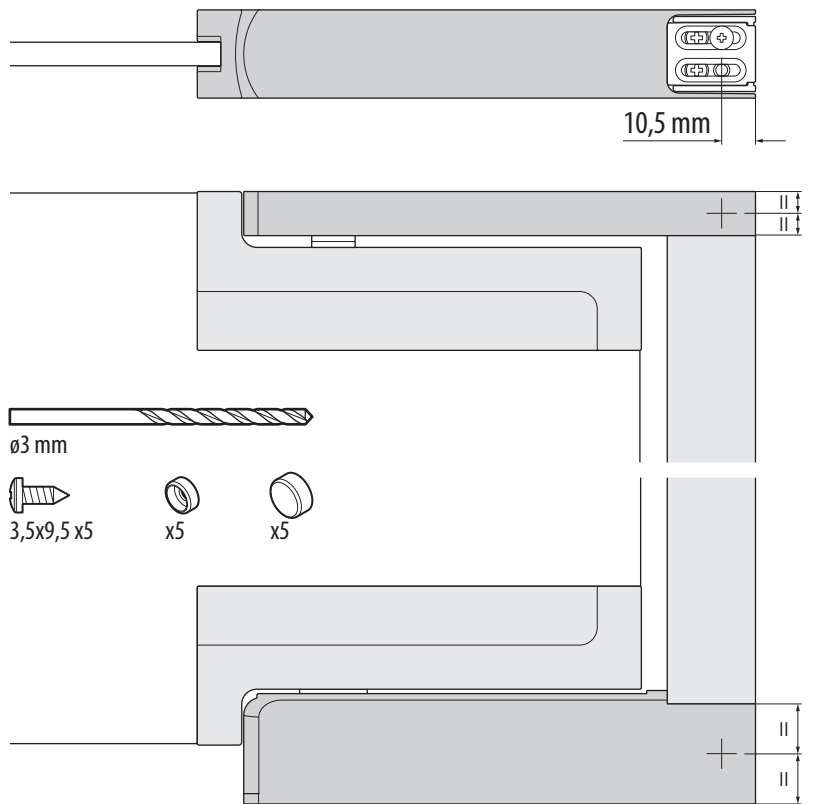
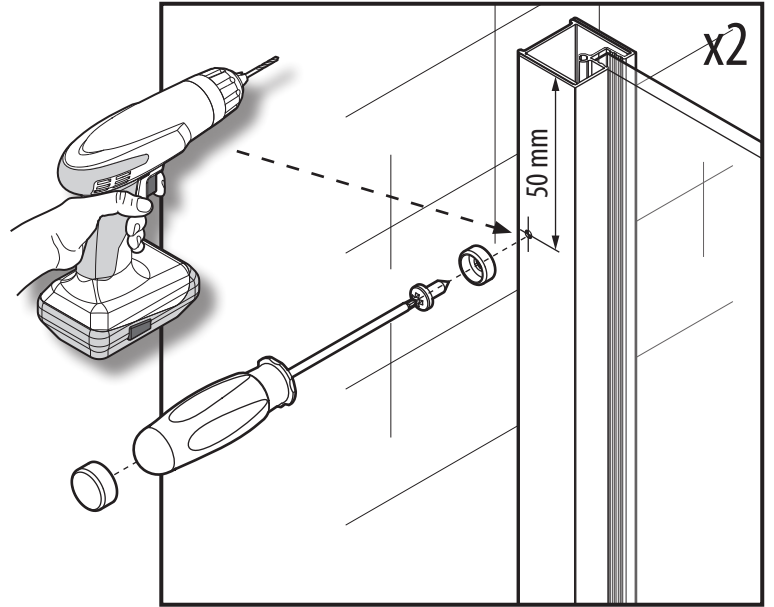
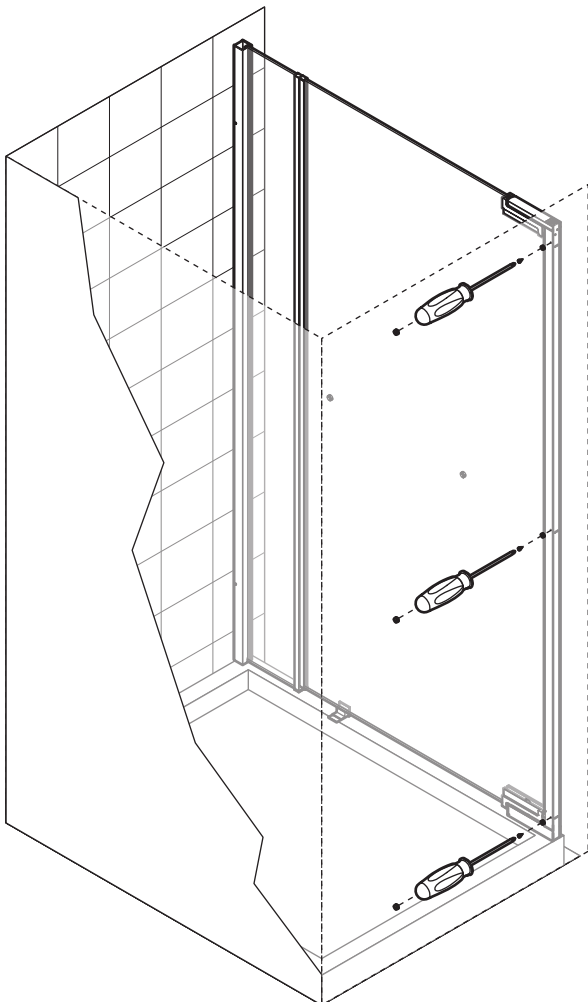
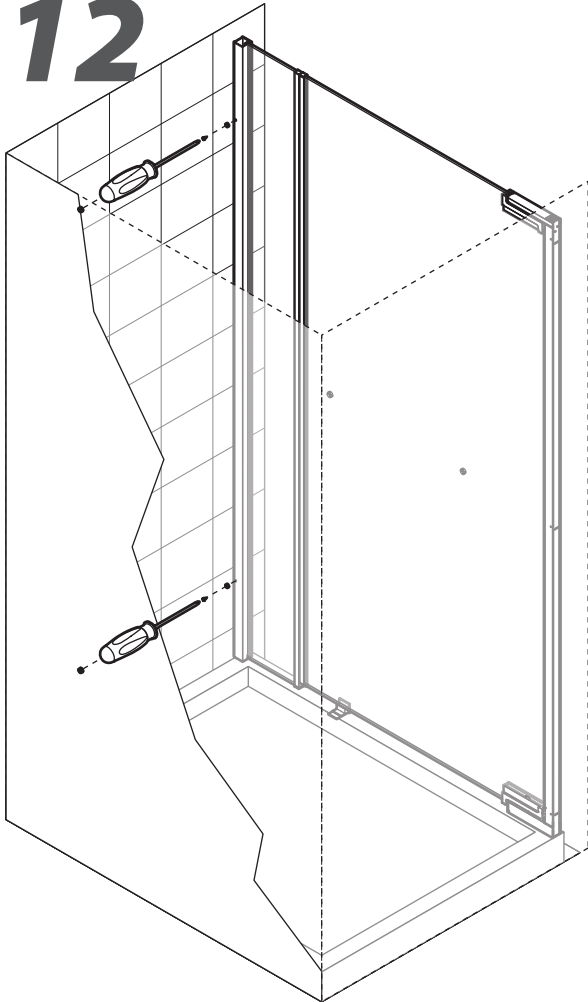
M4x10 x1



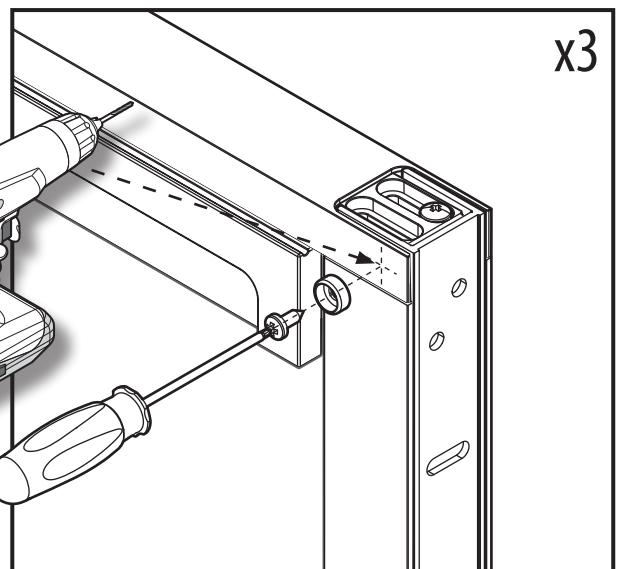
# 11



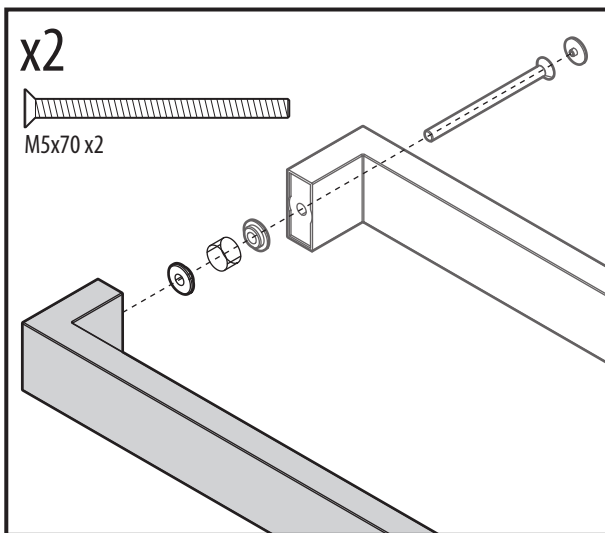
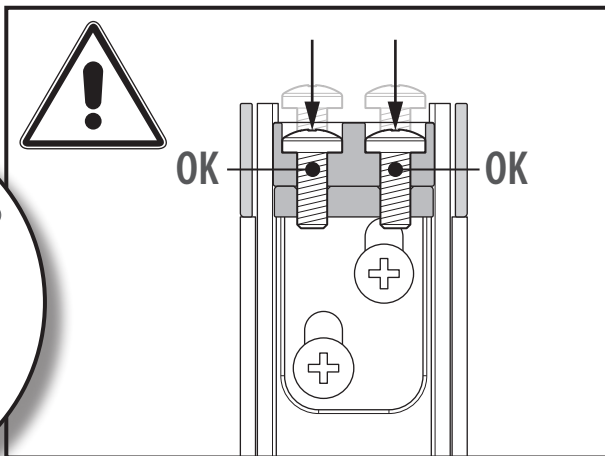
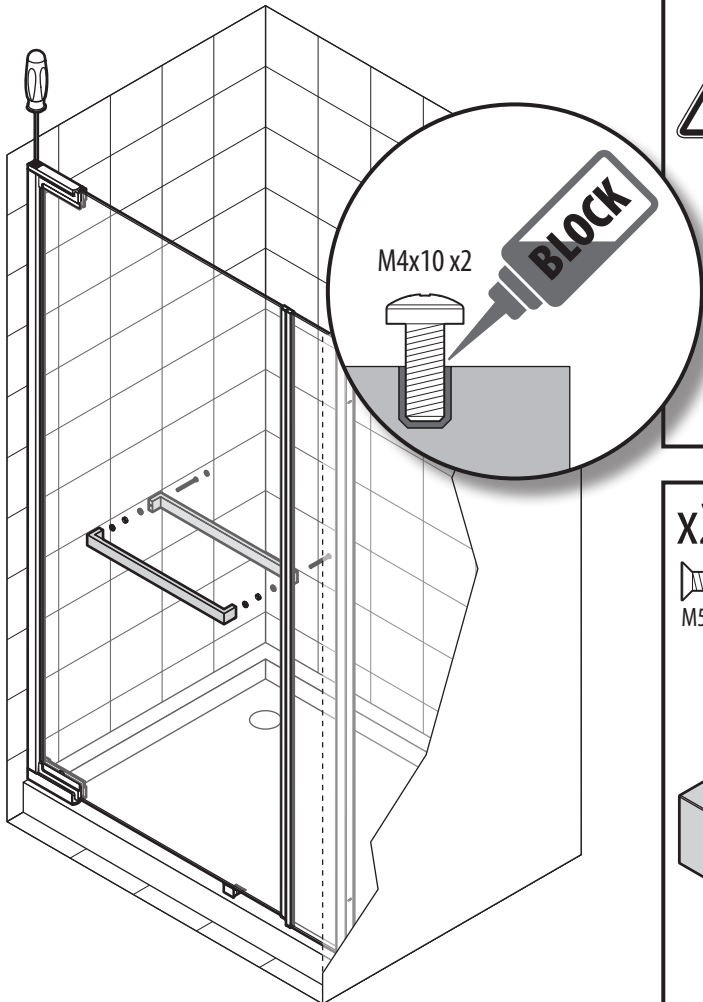
# 12



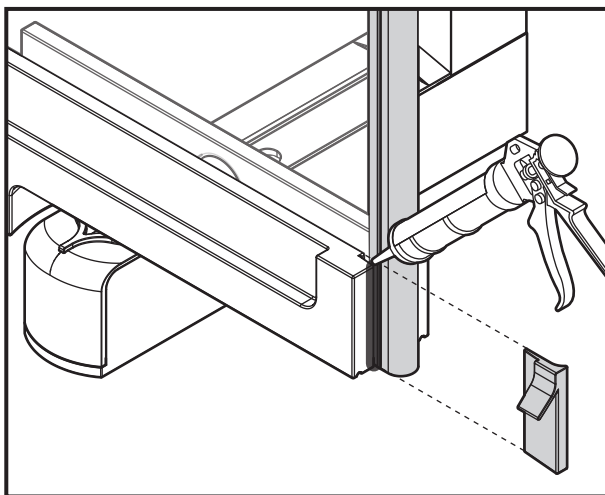
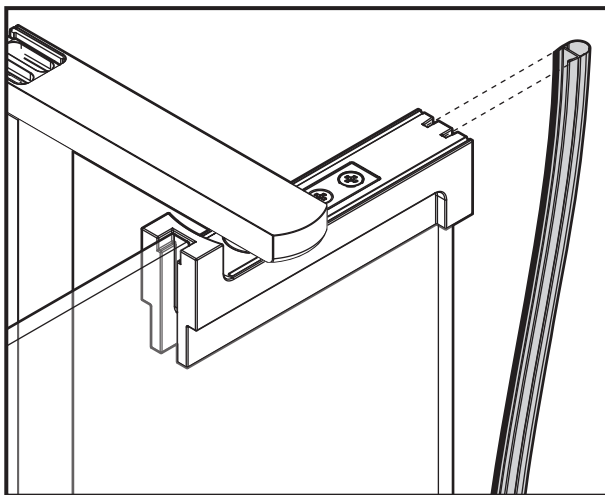
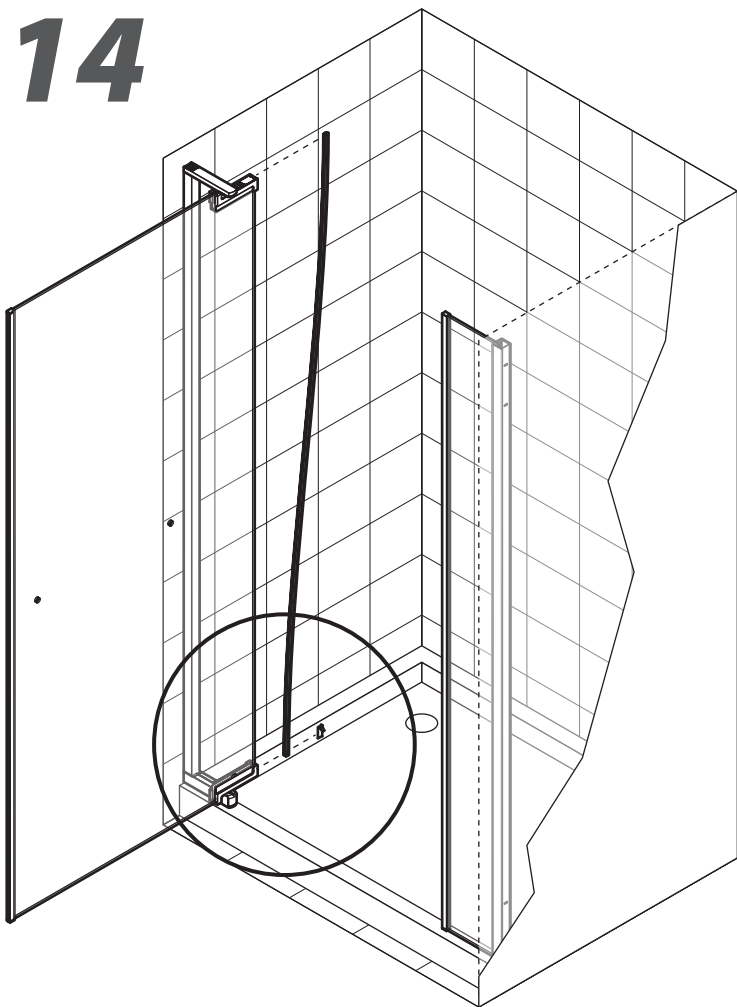
11



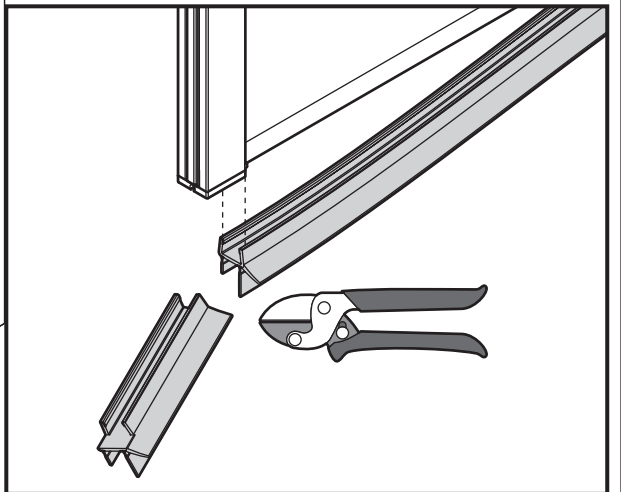
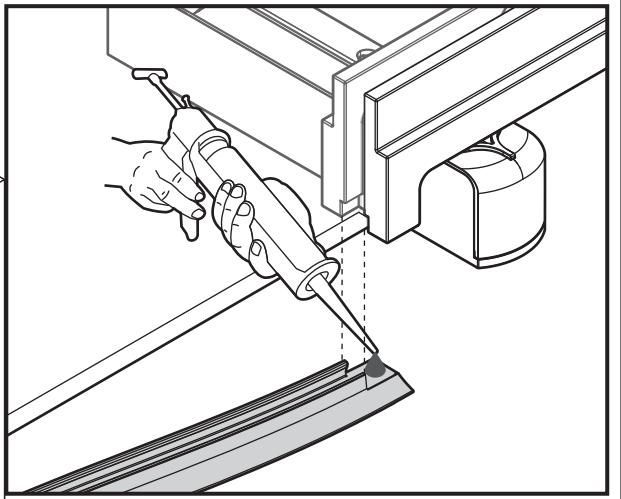
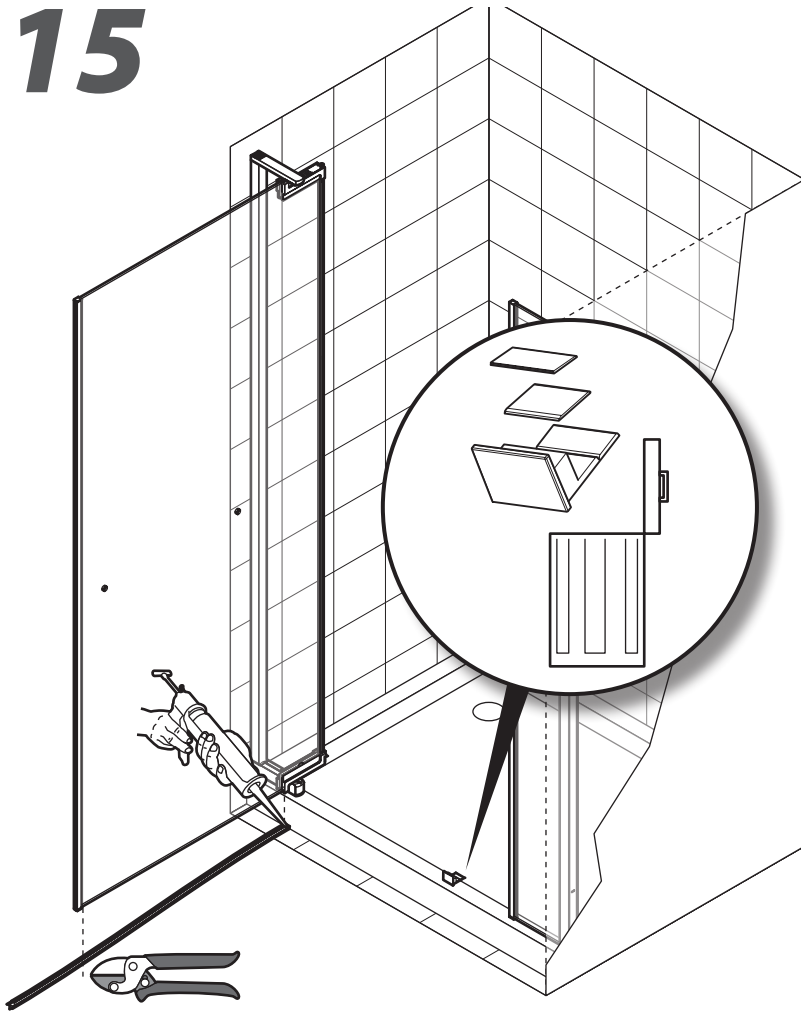
# 13



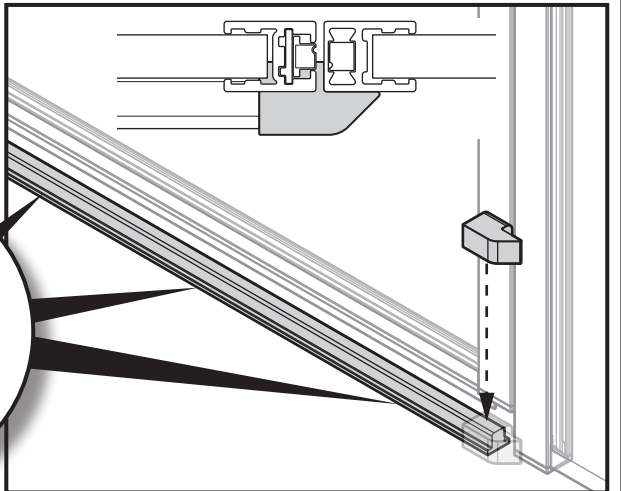
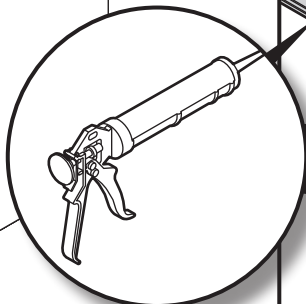
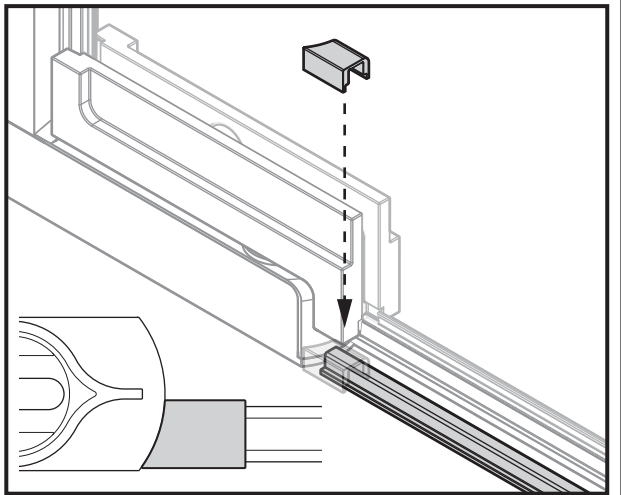
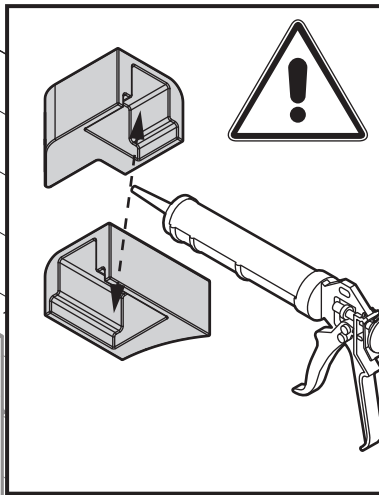
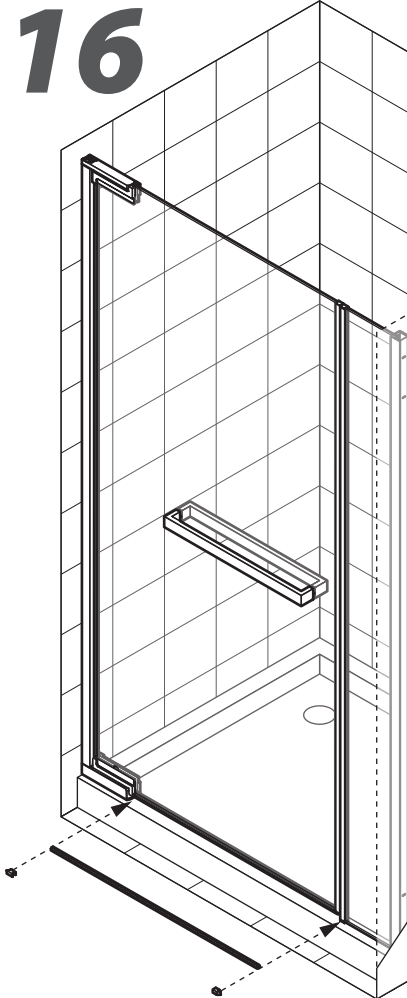
# 14



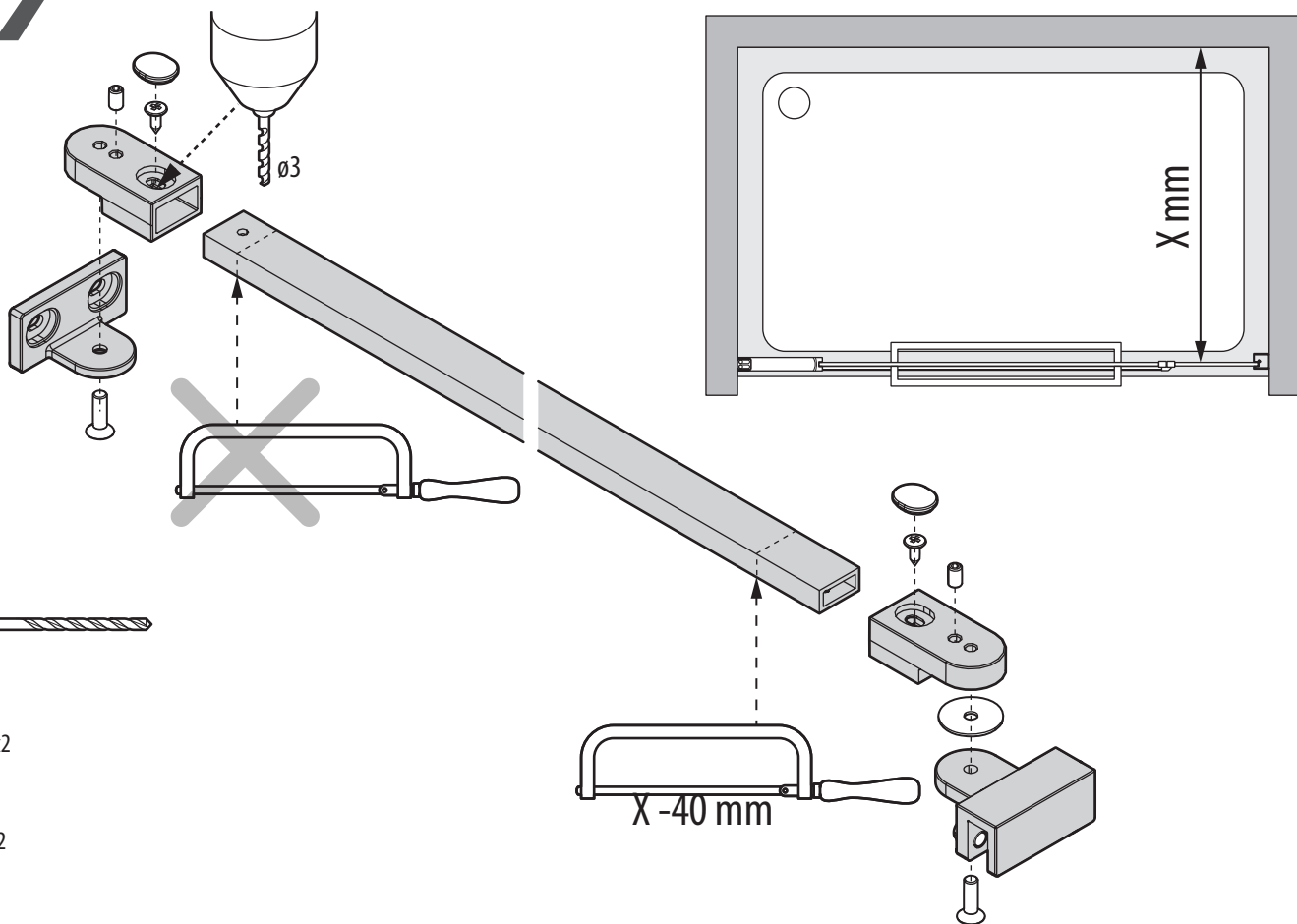
# 15



# 16



# 17



ø6 mm



3,5x9,5x2

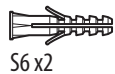
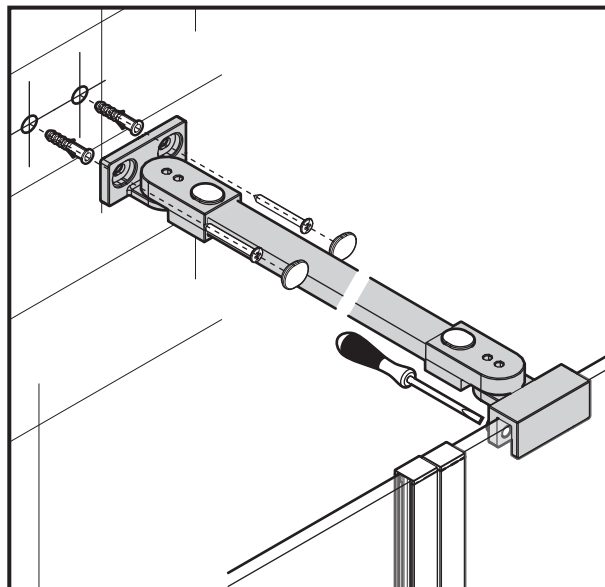
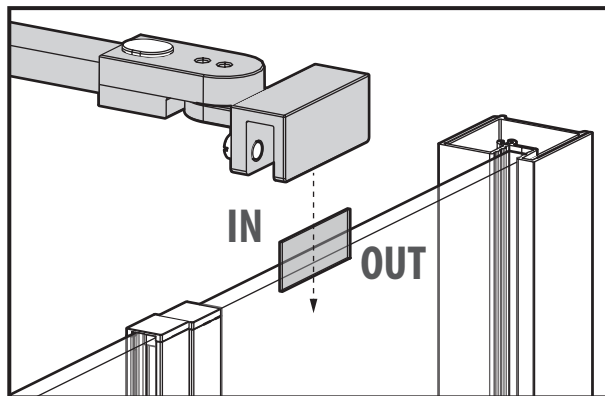
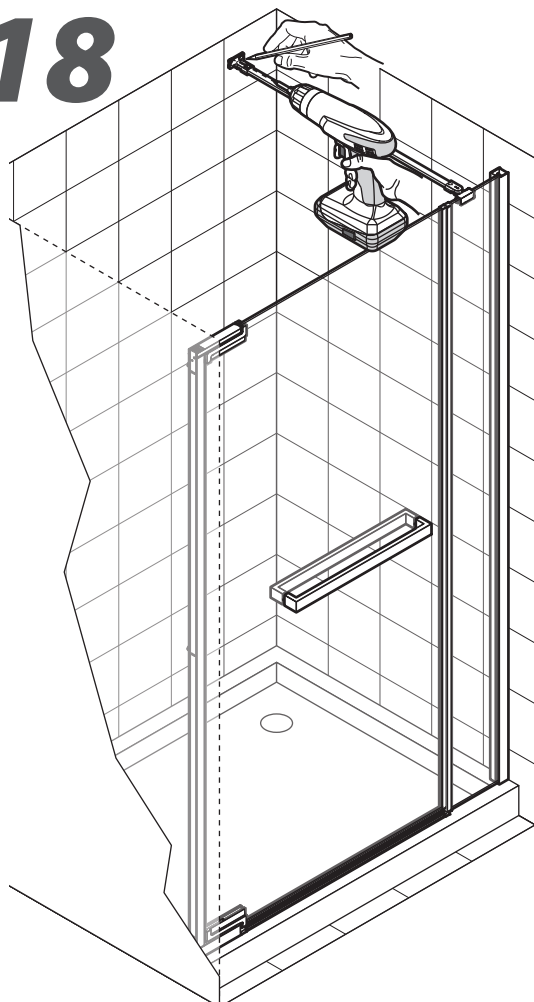


M5x16 x2

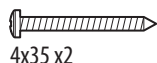


M5x8 x2

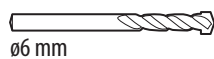
# 18



S6 x2



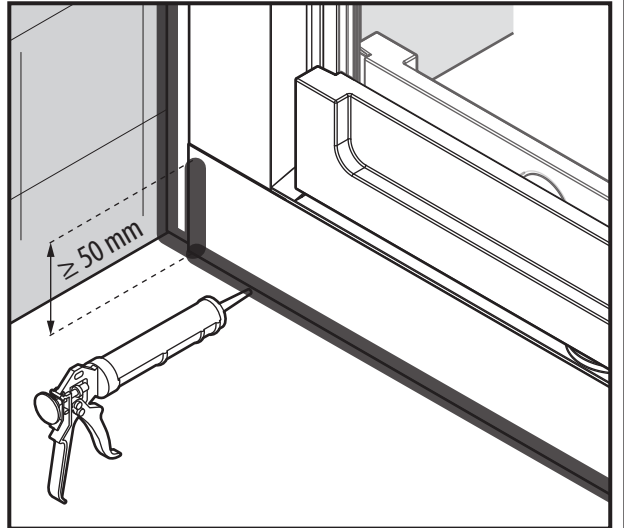
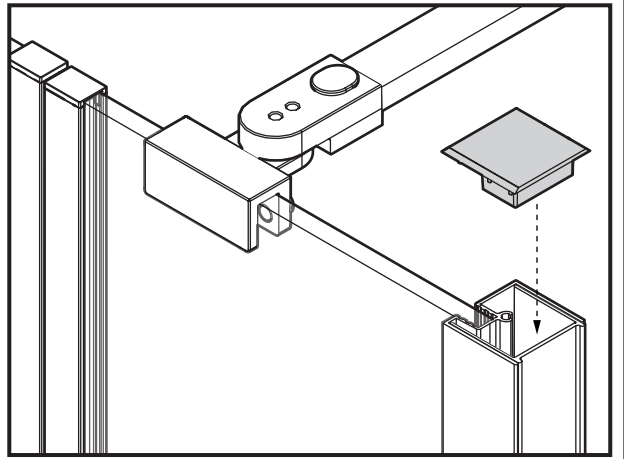
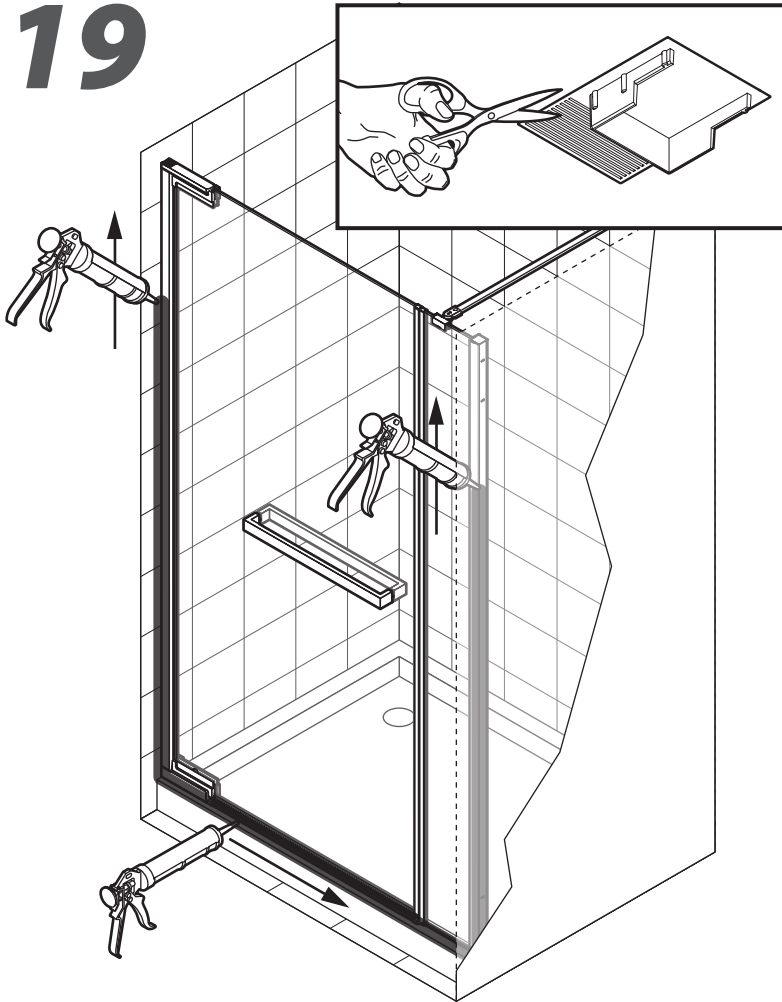
4x35 x2



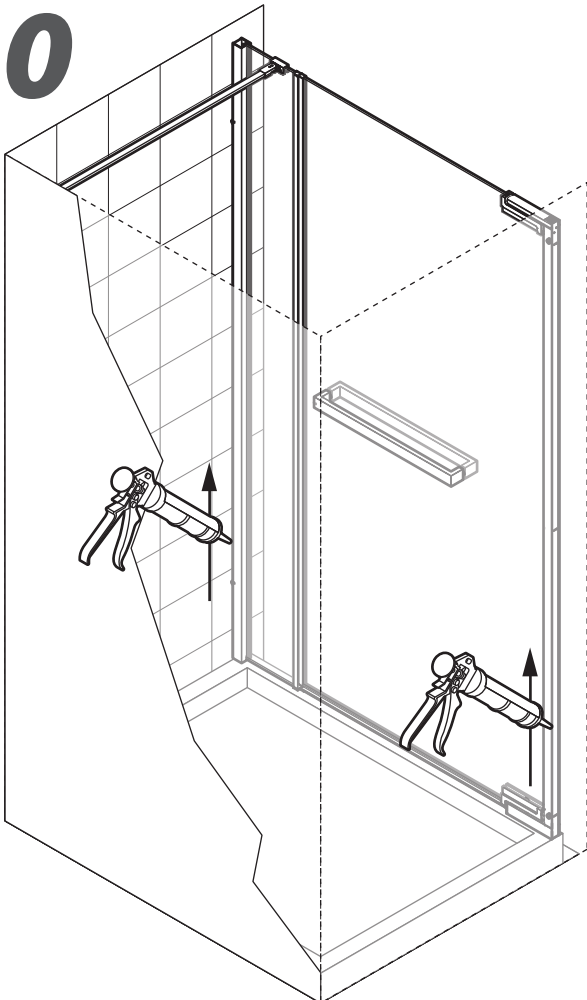
ø6 mm

14

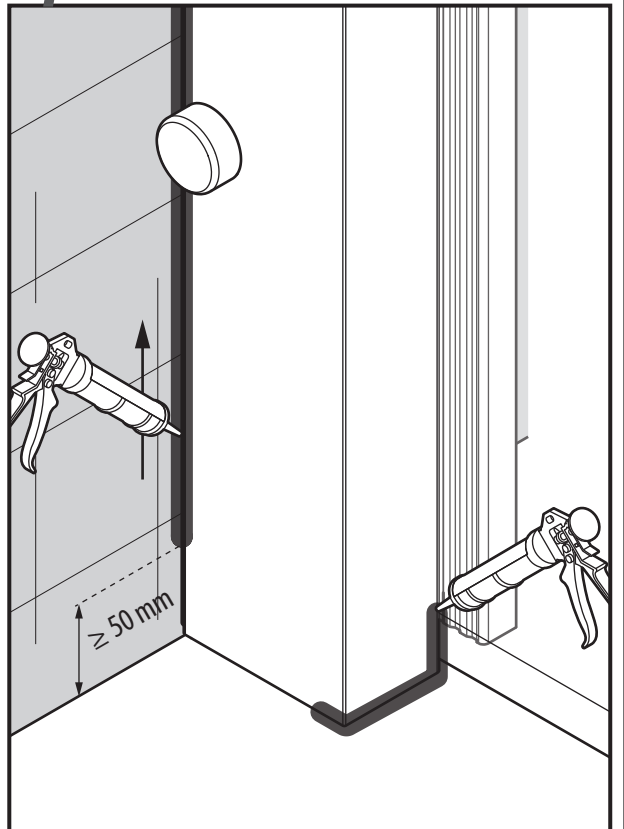
# 19



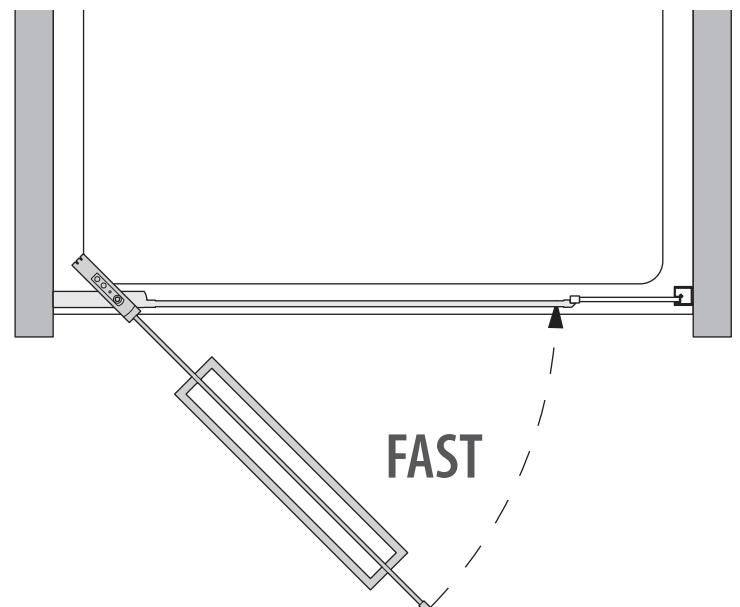
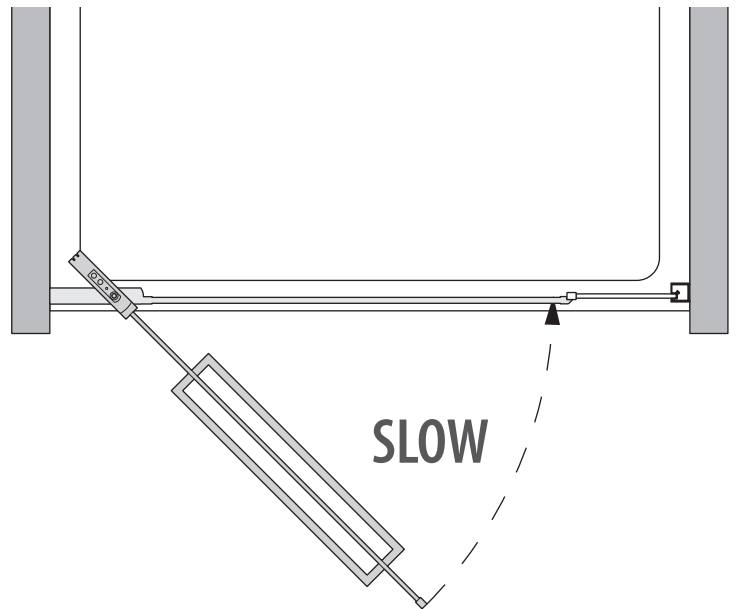
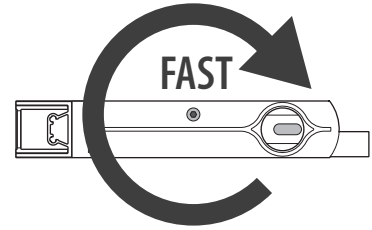
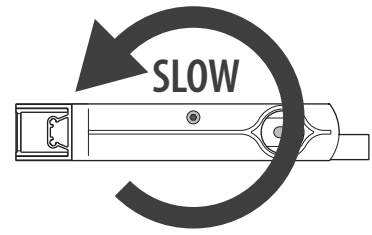
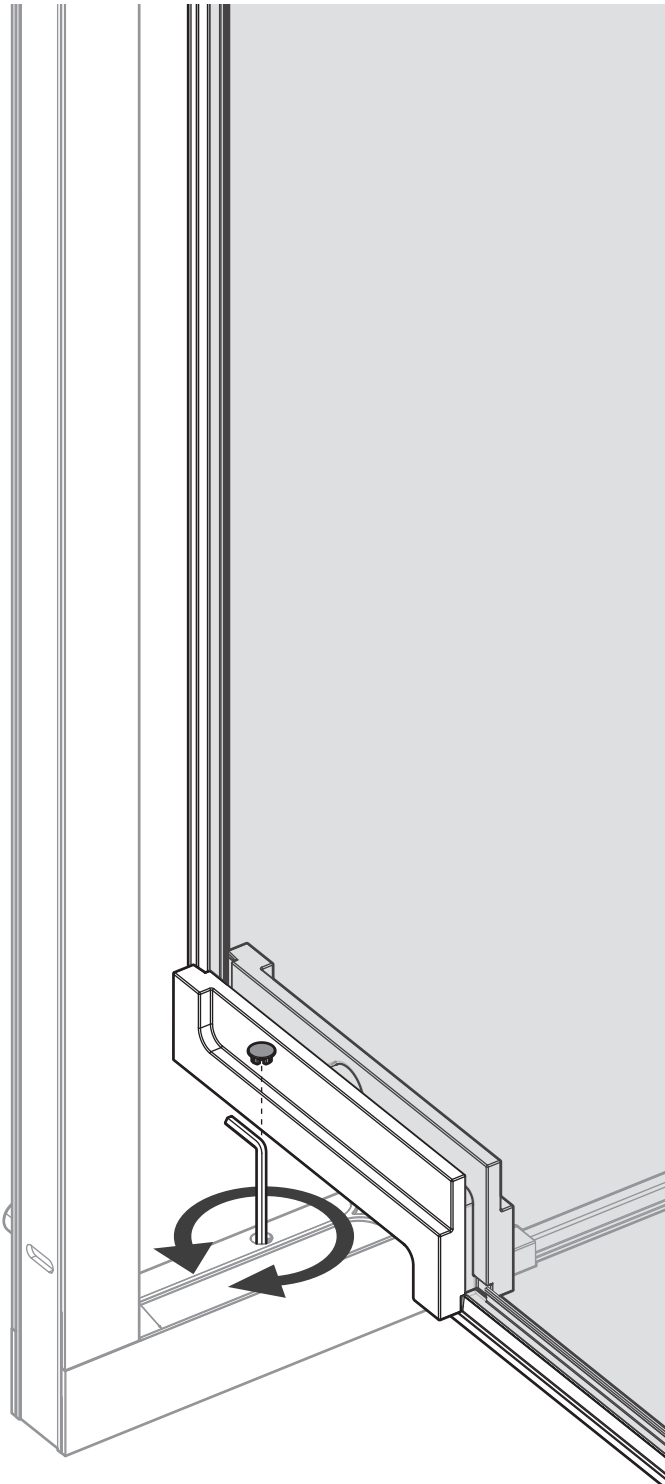
# 20



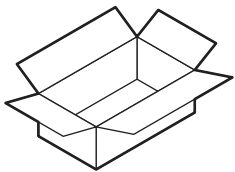
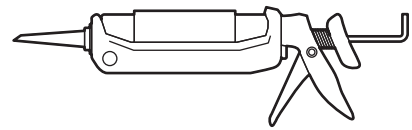
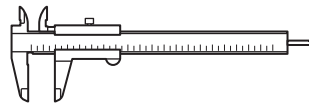
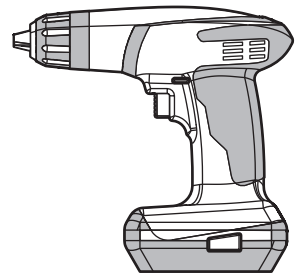
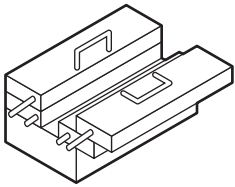
## Optional



# 21



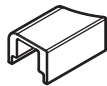




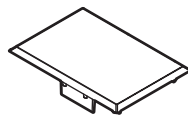
x1



x1



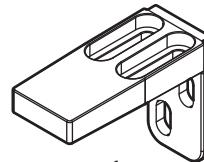
x1



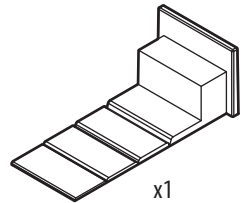
x1



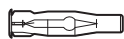
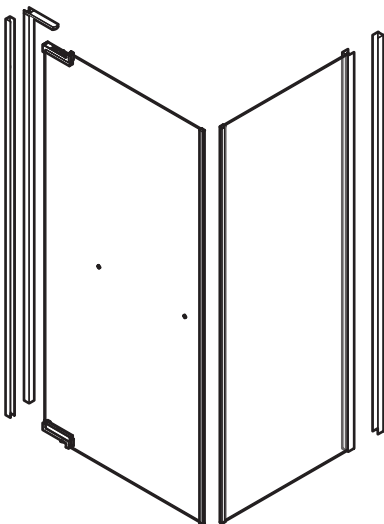
x2



x1



x1



FU8x50 x7



x1



S6 x4



M4x10 x2



x5



4,5x60 x7



3,5x45 x2



4x35 x4



3,5x9,5 x5



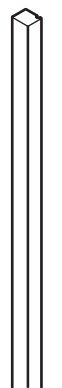
x5



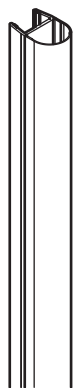
x1



x1



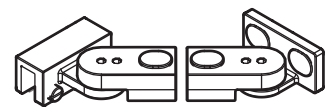
x1



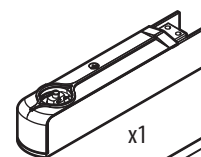
x1



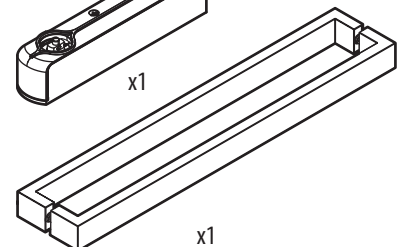
x1



x1



x1



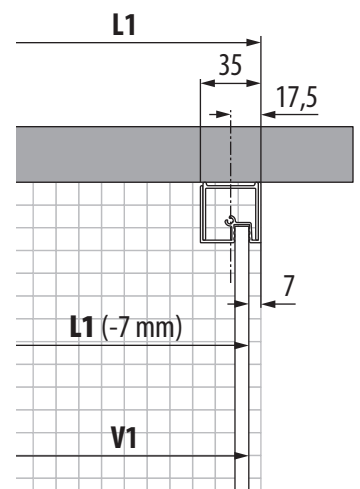
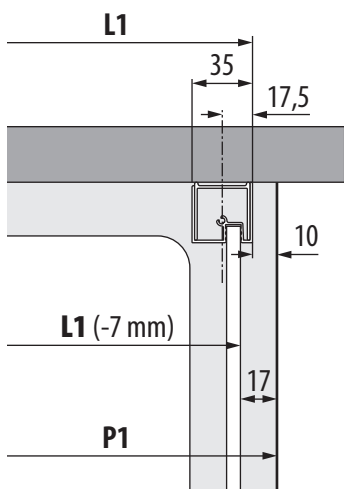
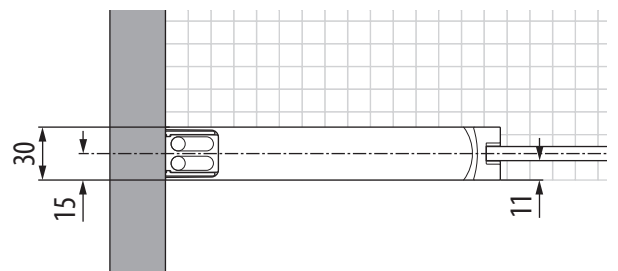
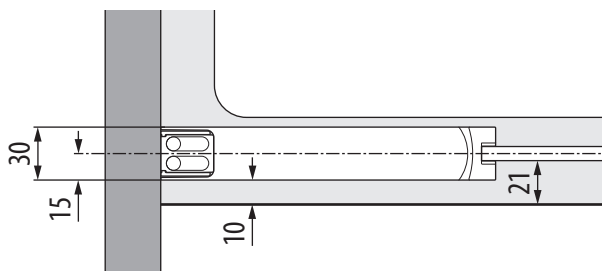
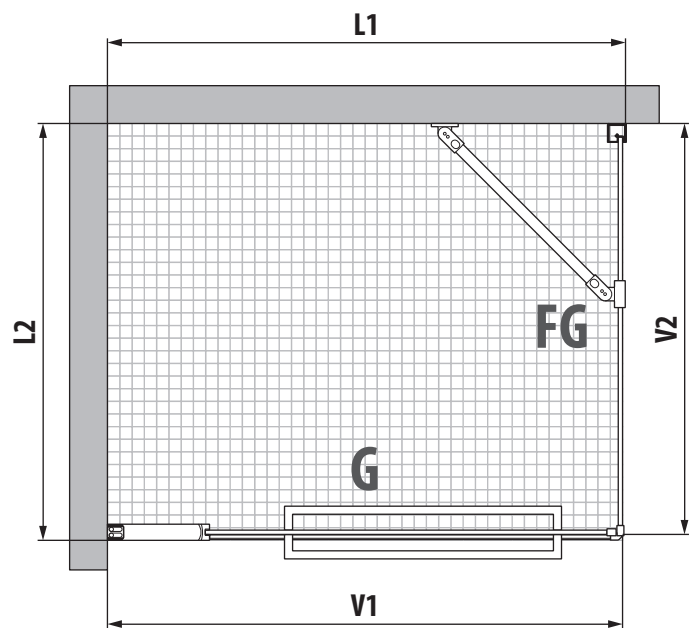
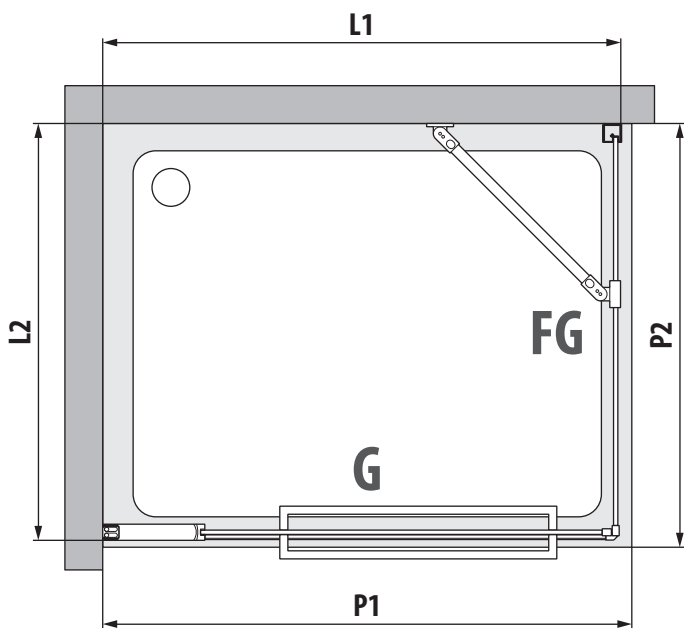
x1

G	P1	L1 mm
80	790-805	780-795
90	890-905	880-895
100	990-1005	980-995

FG	P2	L2 mm
79	785-800	775-790
80	790-805	780-795
89	885-900	875-890
90	890-905	880-895
99	985-1000	975-990
100	990-1005	980-995
119	1185-1200	1175-1190
120	1190-1205	1180-1195

G	V1	L1 mm
80	773-788	780-795
90	873-888	880-895
100	973-988	980-995

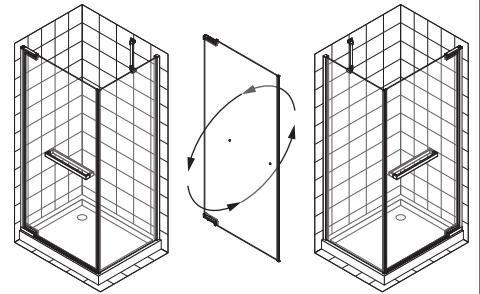
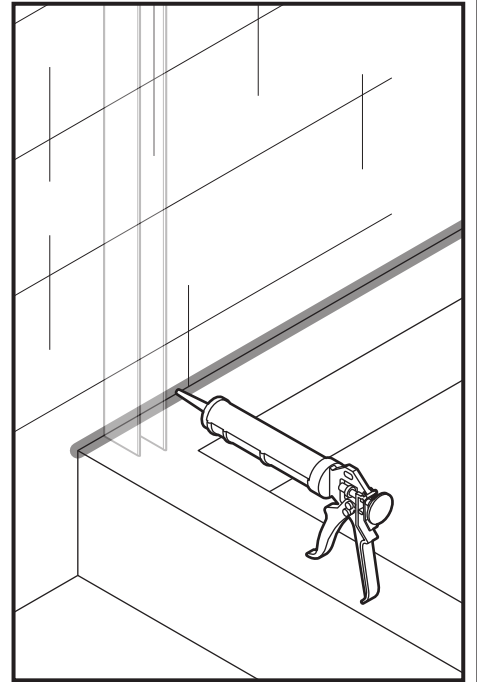
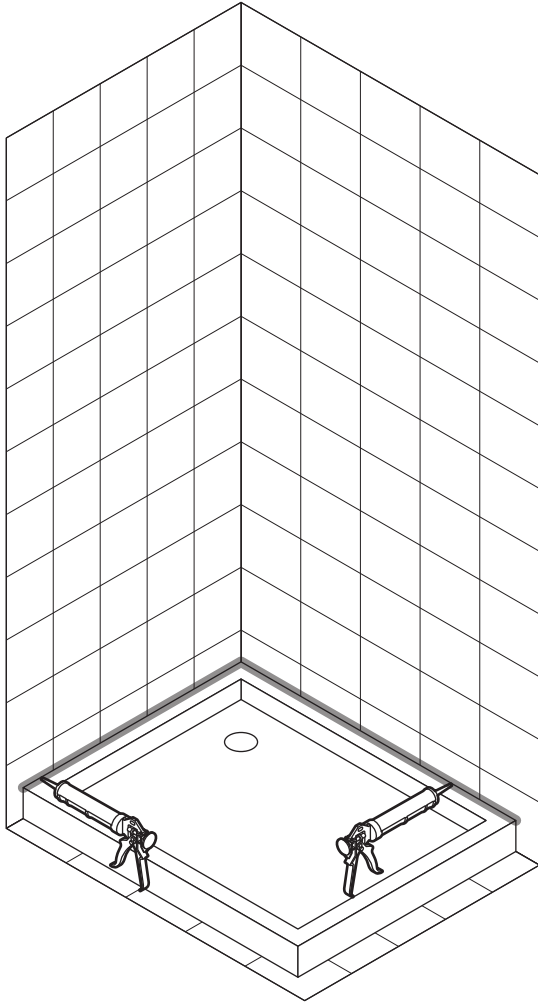
FG	V2	L2 mm
79	764-779	775-790
80	769-784	780-795
89	864-879	875-890
90	869-884	880-895
99	964-979	975-990
100	969-984	980-995
119	1164-1179	1175-1190
120	1169-1184	1180-1195



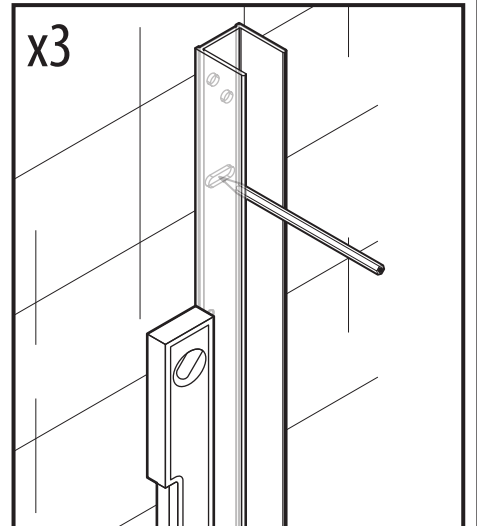
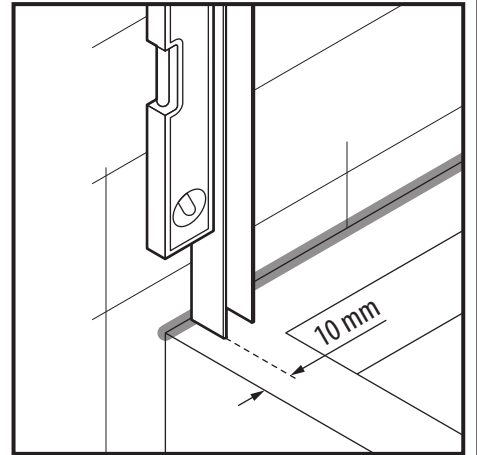
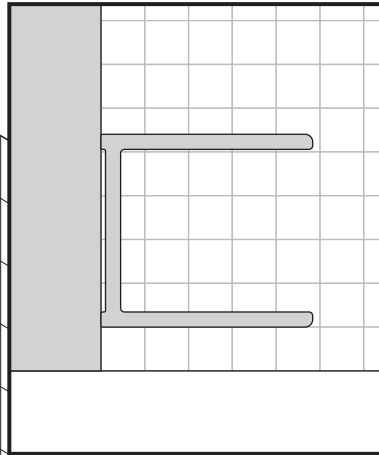
**CLEANIT  
OR  
WATER ONLY**

فقط الماء أو كلينيت

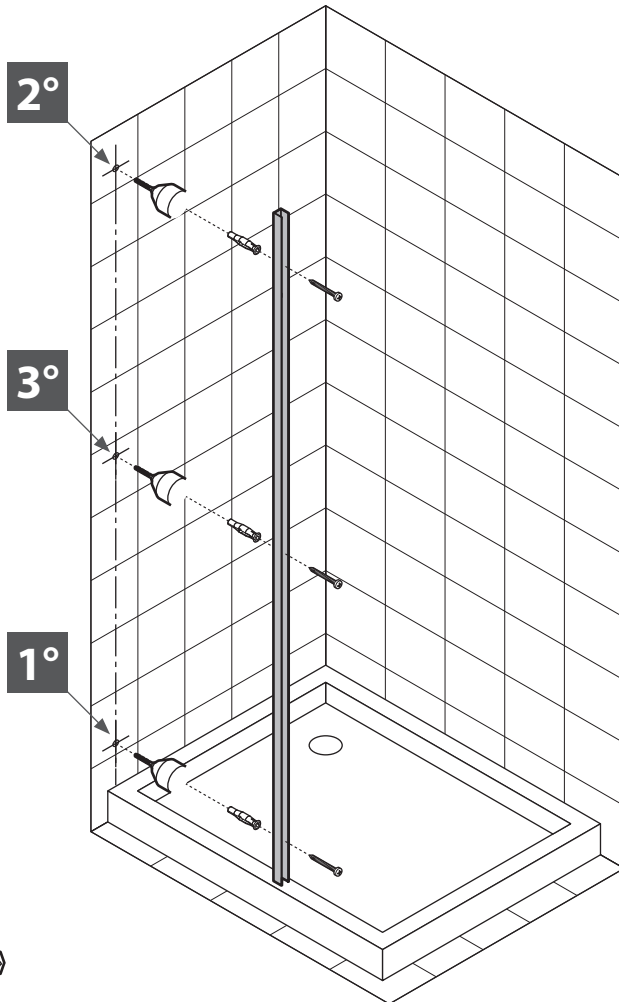
# 1



# 2



# 3



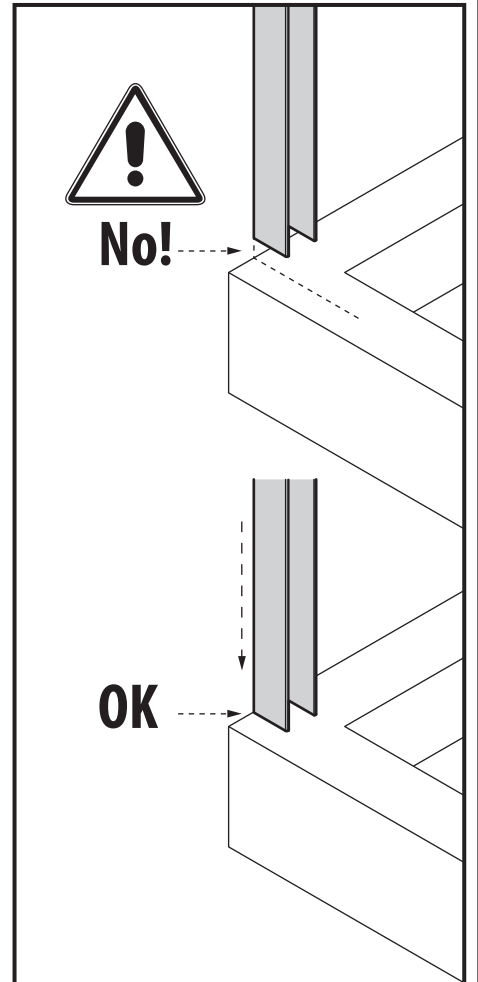
FU8x50 x3



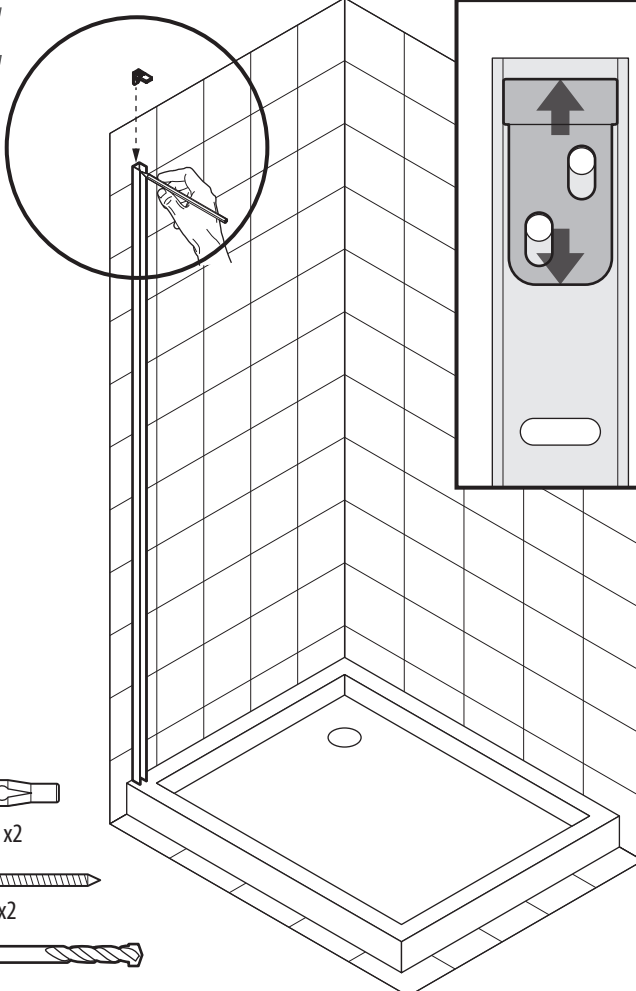
4,5x60 x3



ø8 mm



# 4



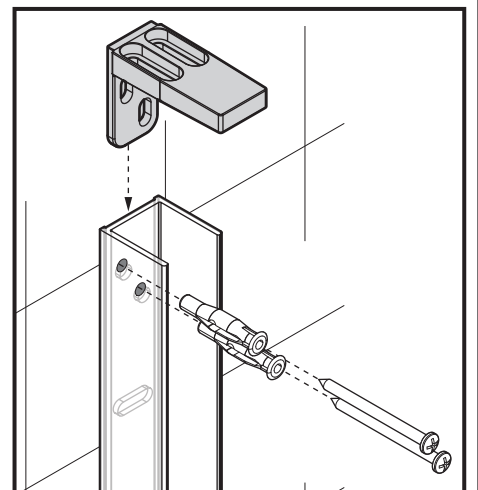
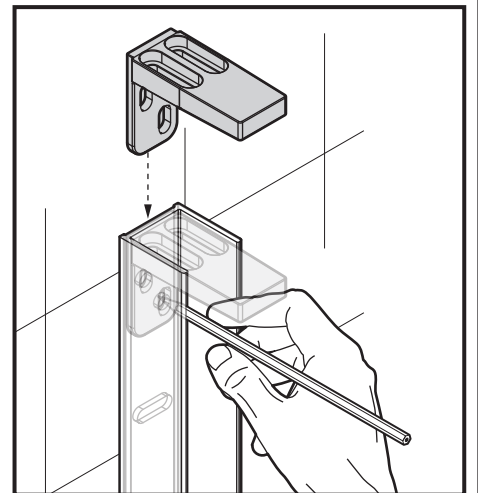
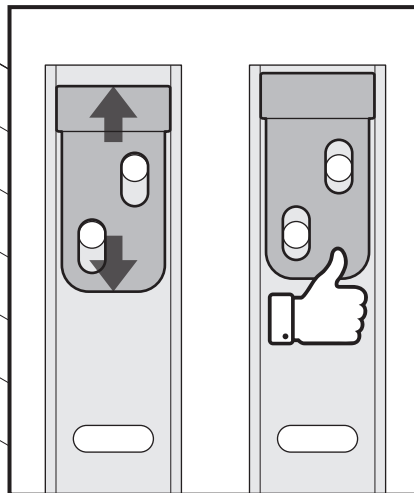
FU8x50 x2



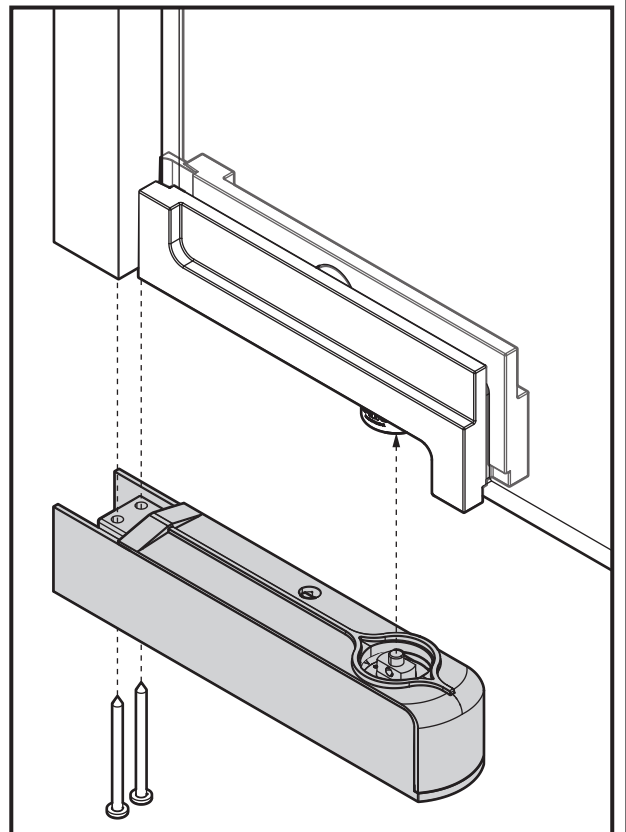
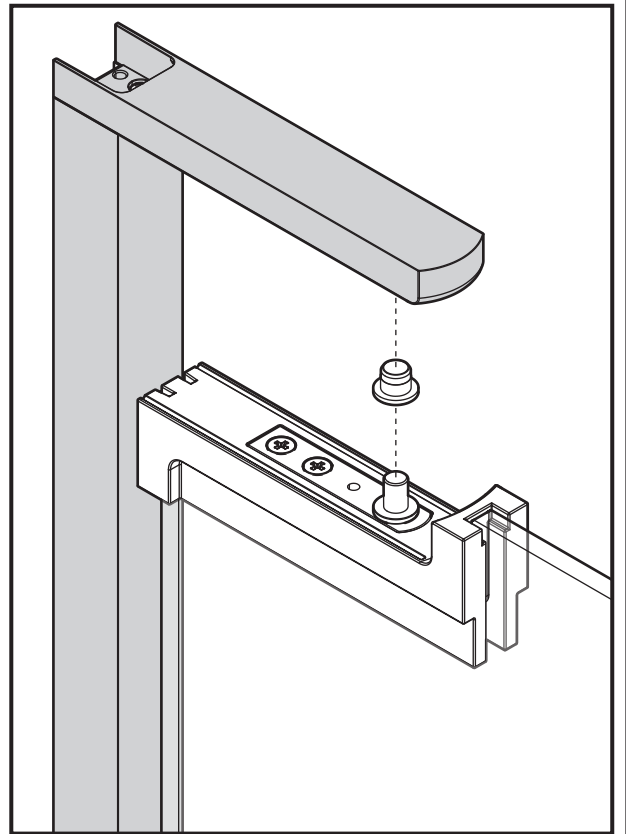
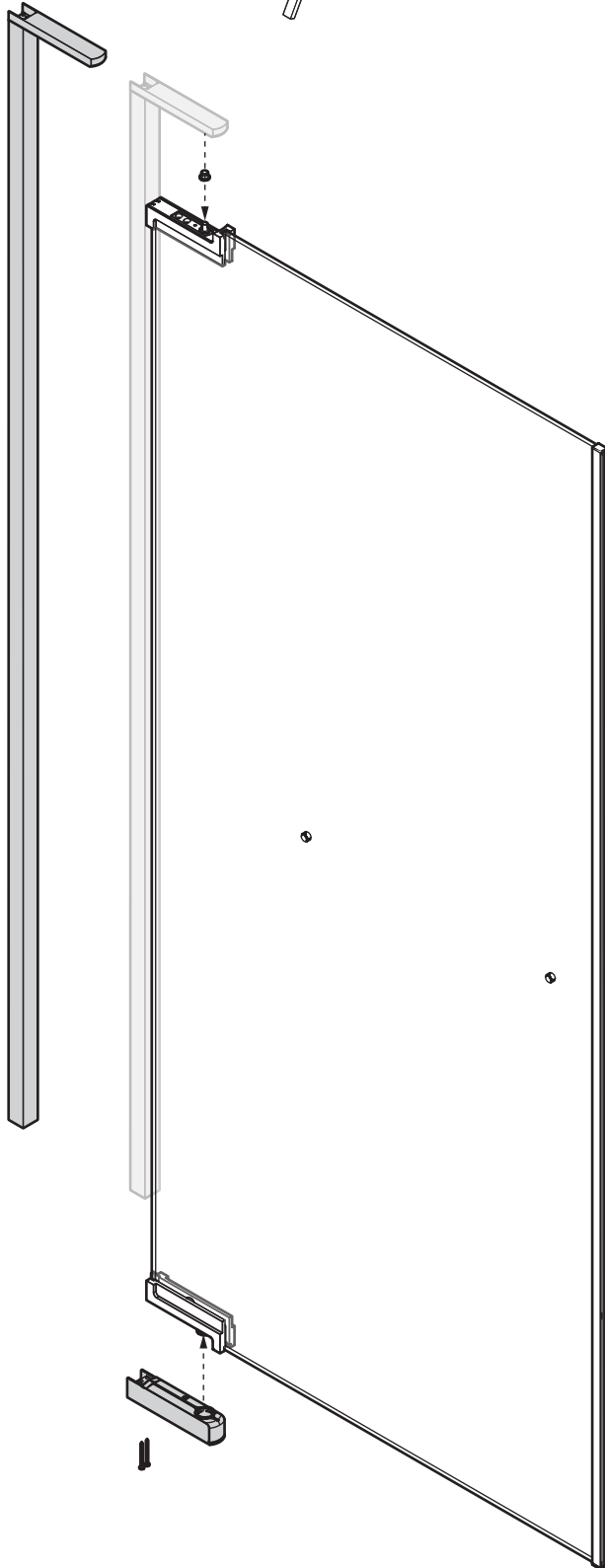
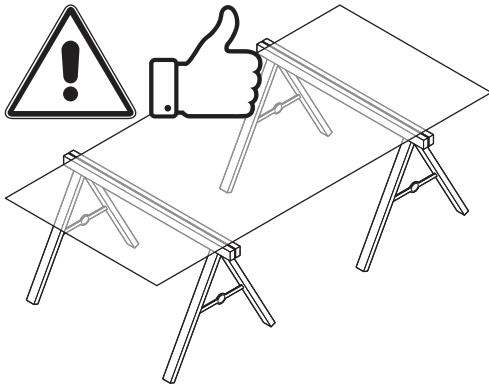
4,5x60 x2



ø8 mm

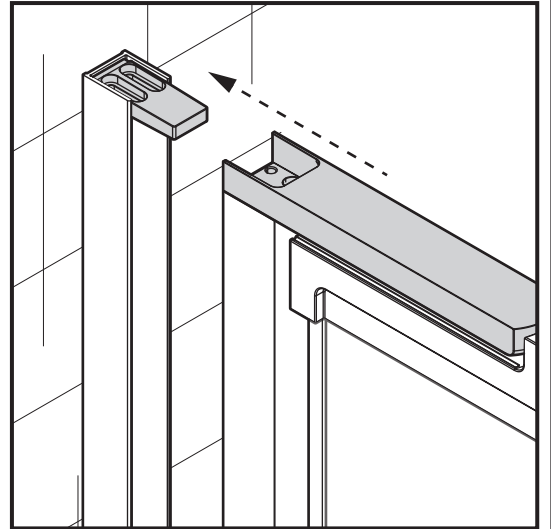
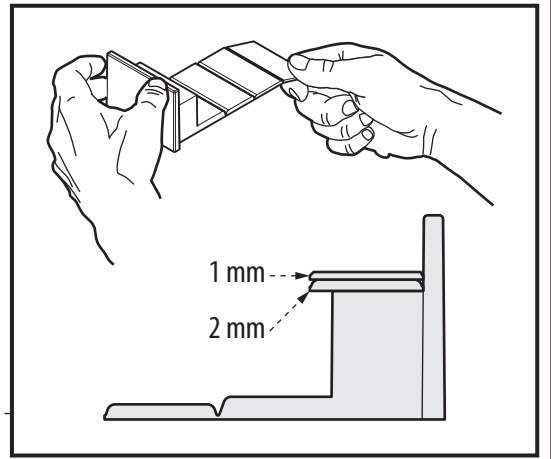
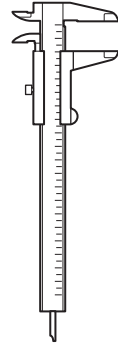
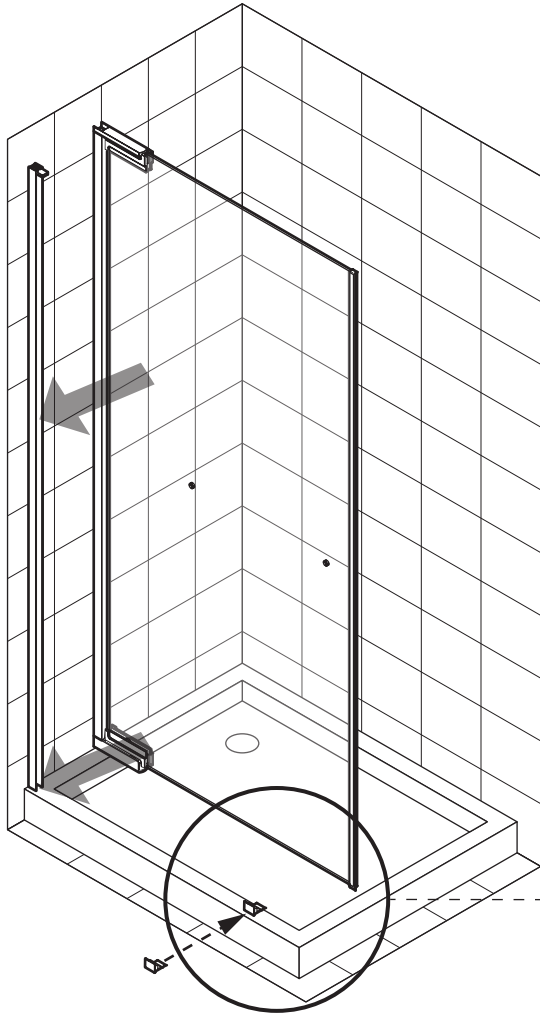


# 5

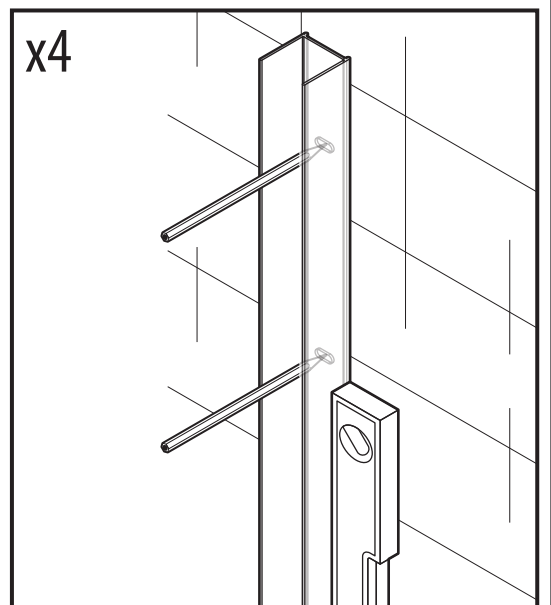
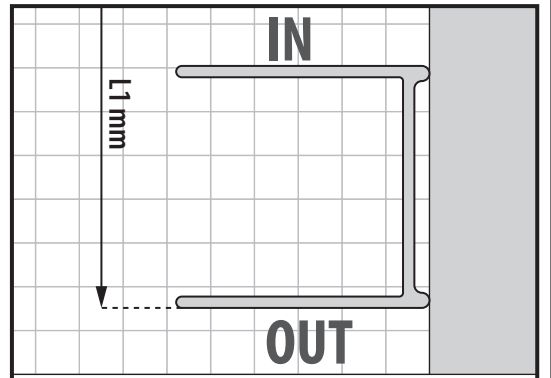
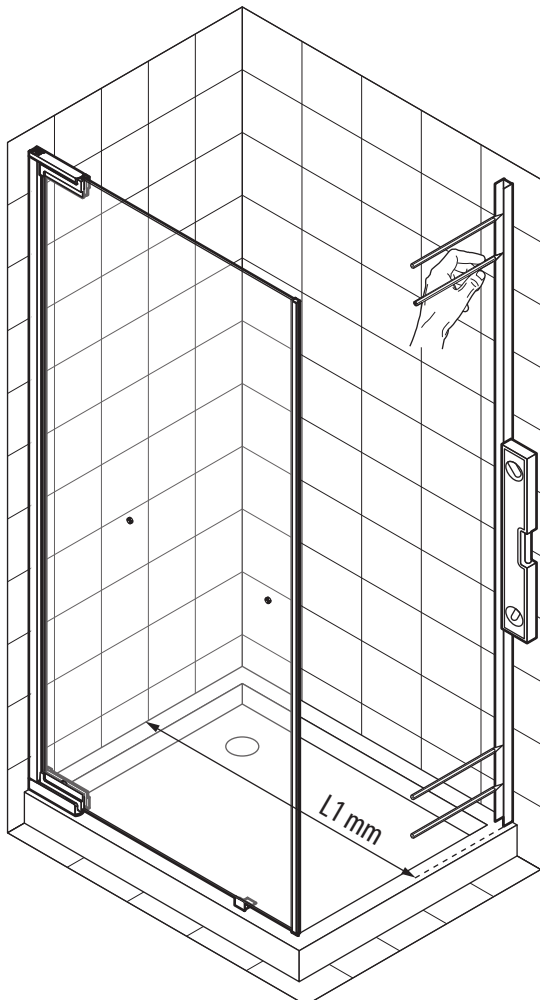


3,5x45 x2

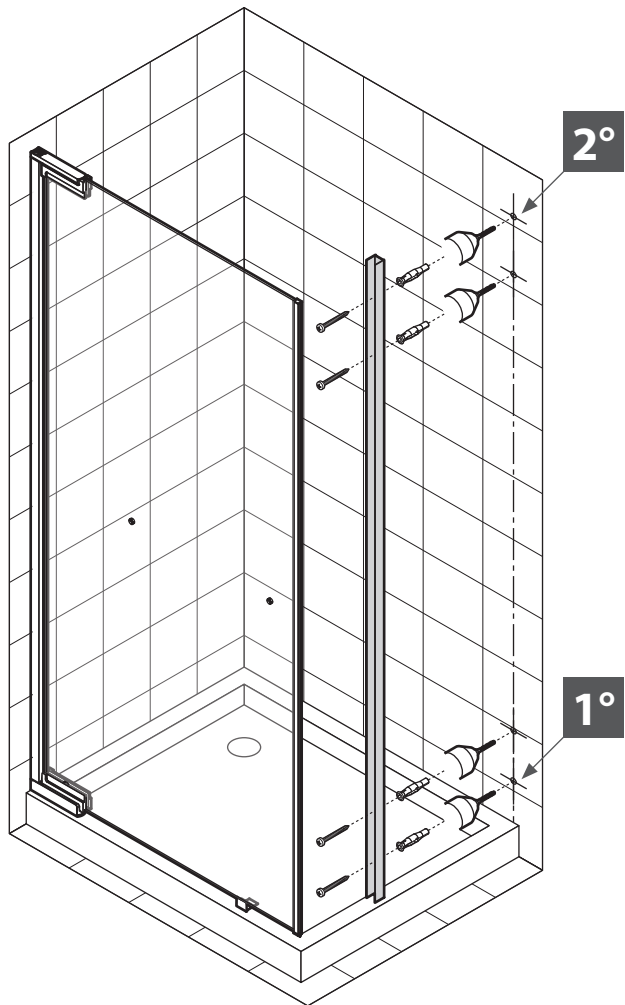
# 6



# 7



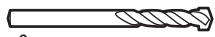
# 8



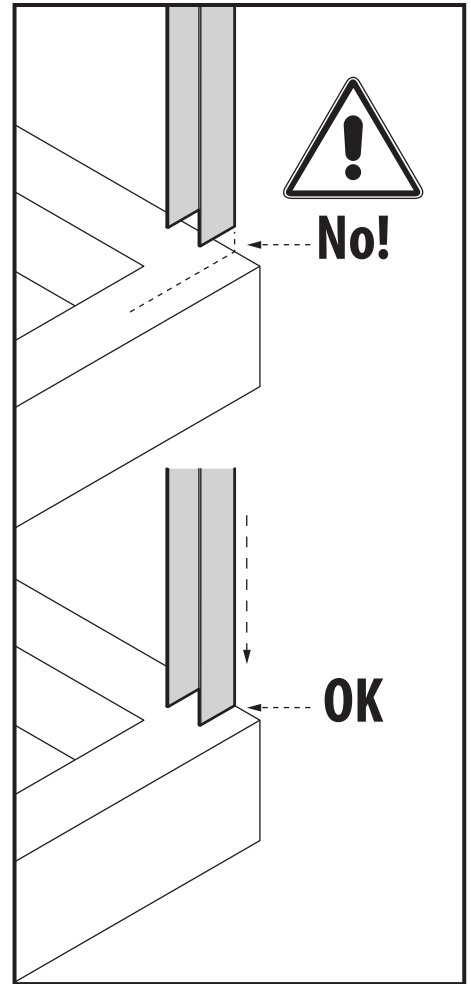
FU8x50 x4



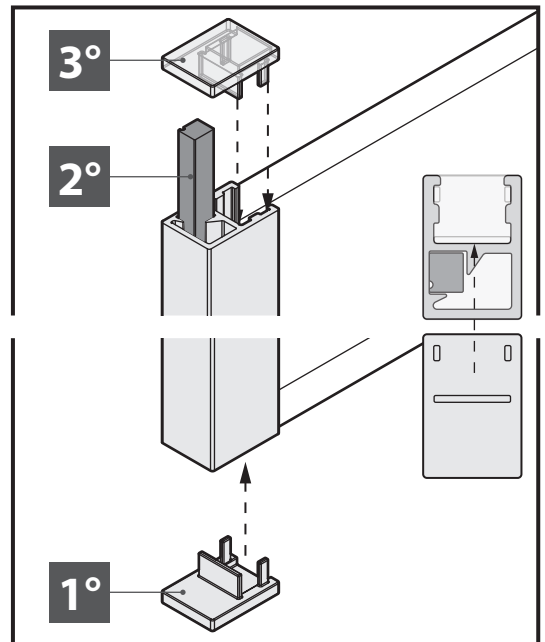
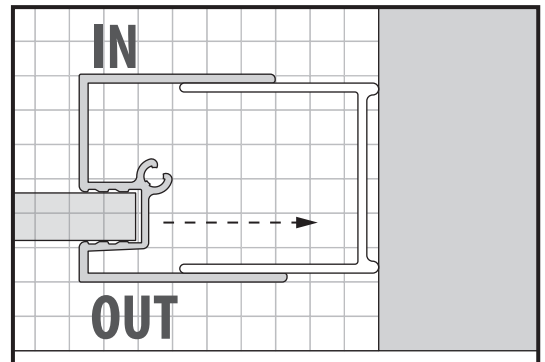
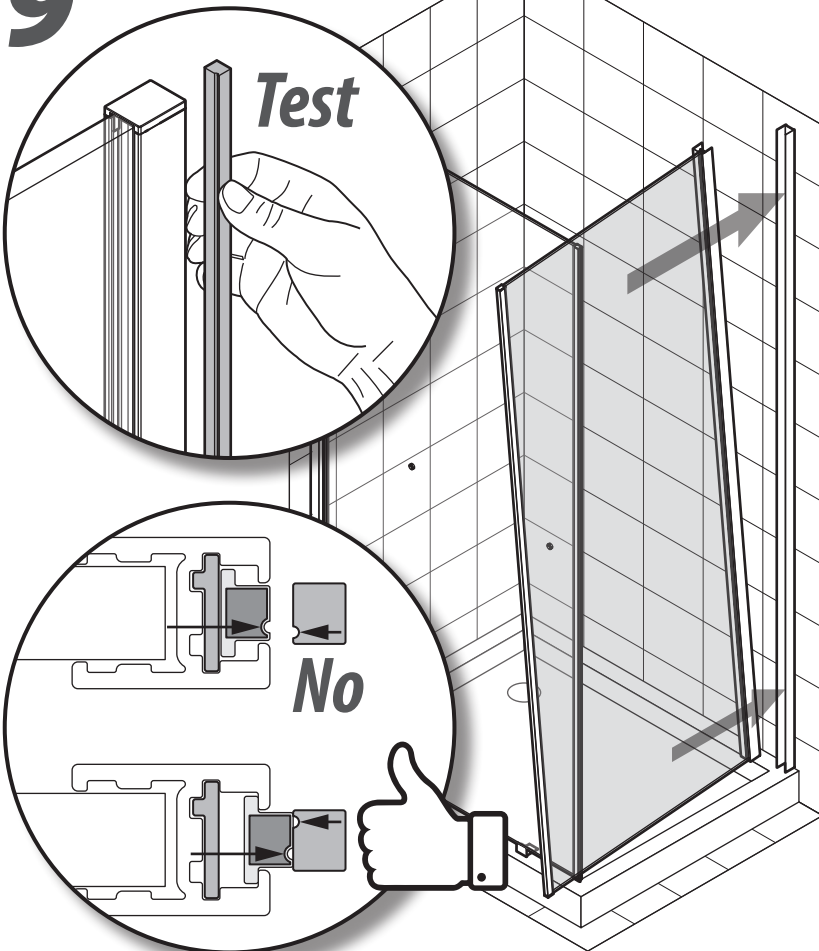
4,5x60 x4



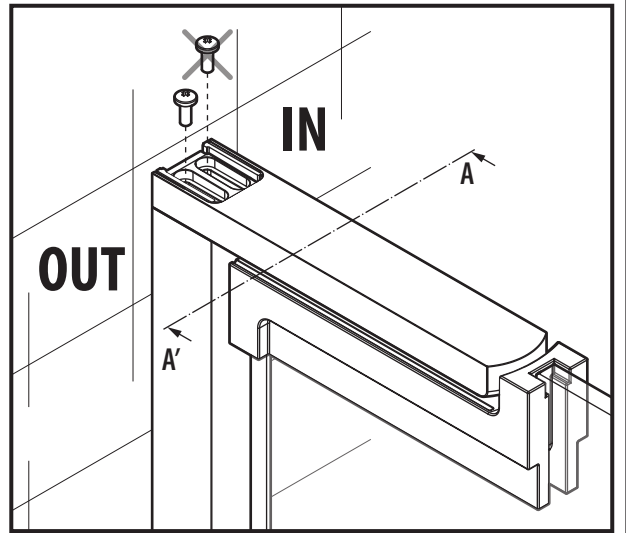
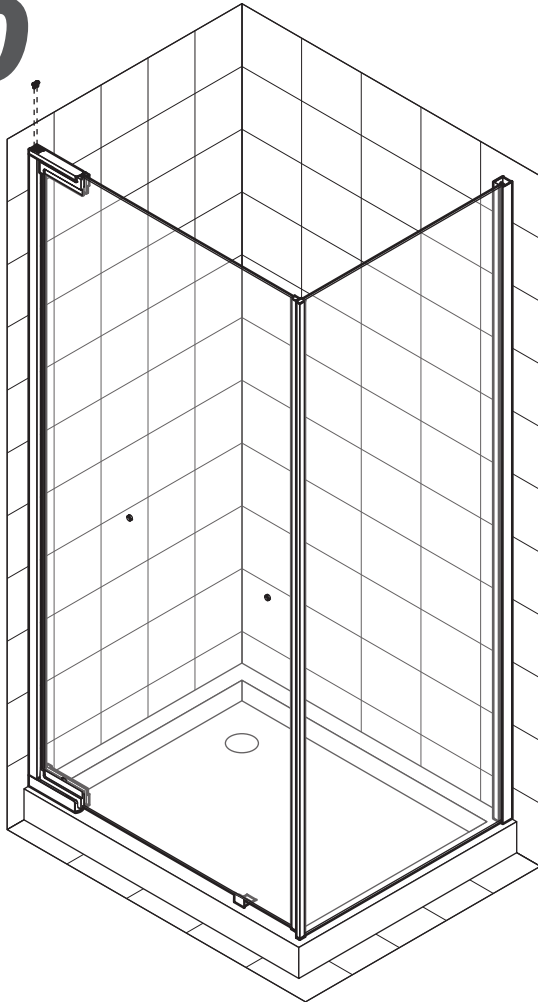
ø8 mm



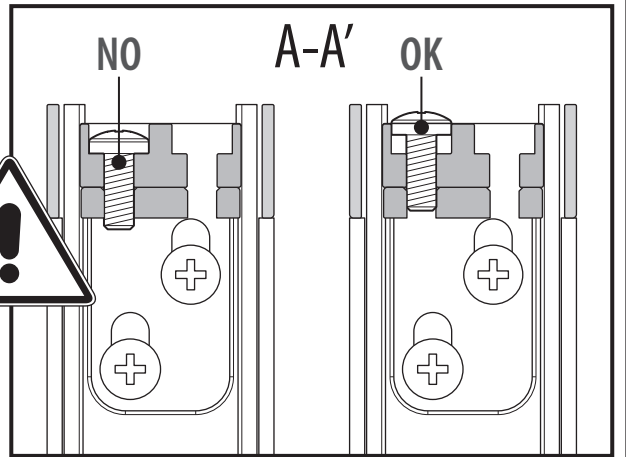
# 9



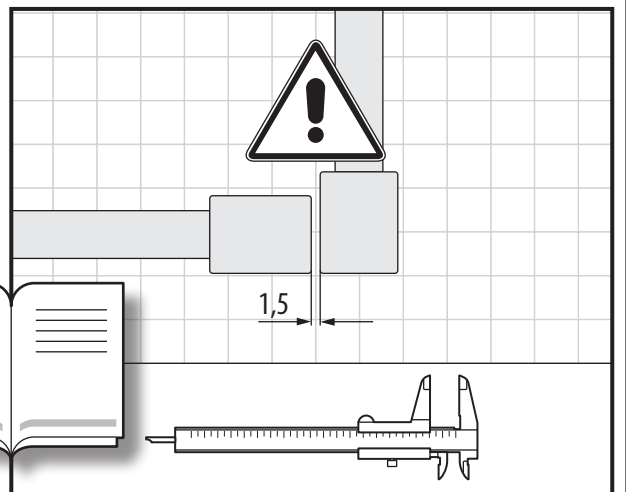
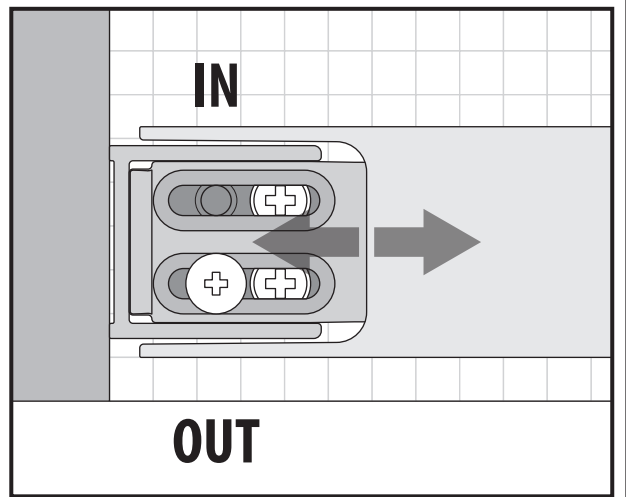
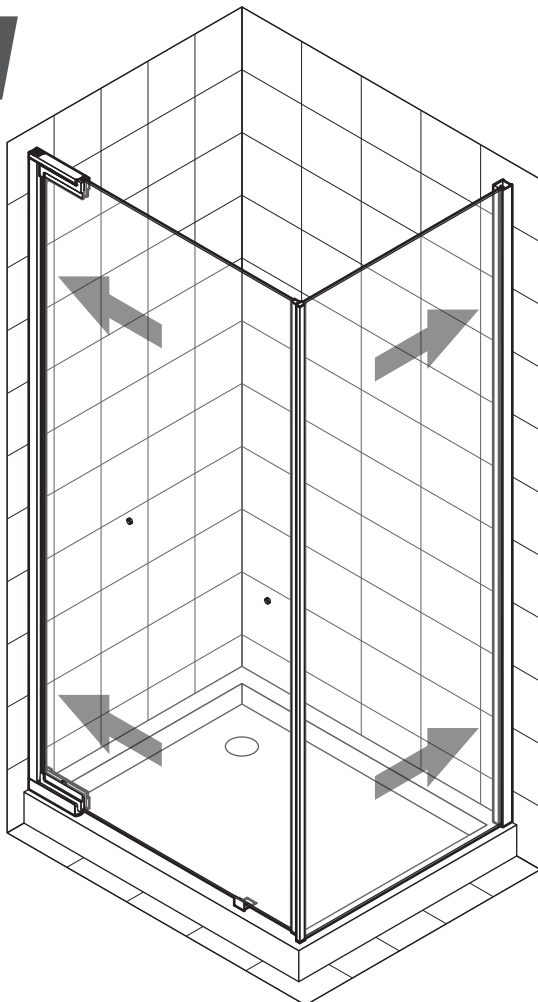
# 10



M4x10 x1



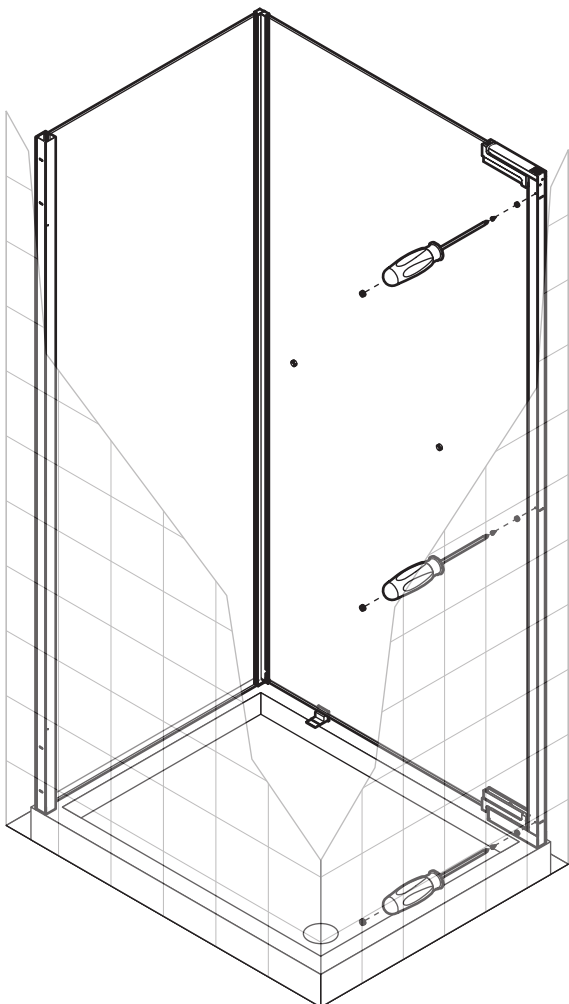
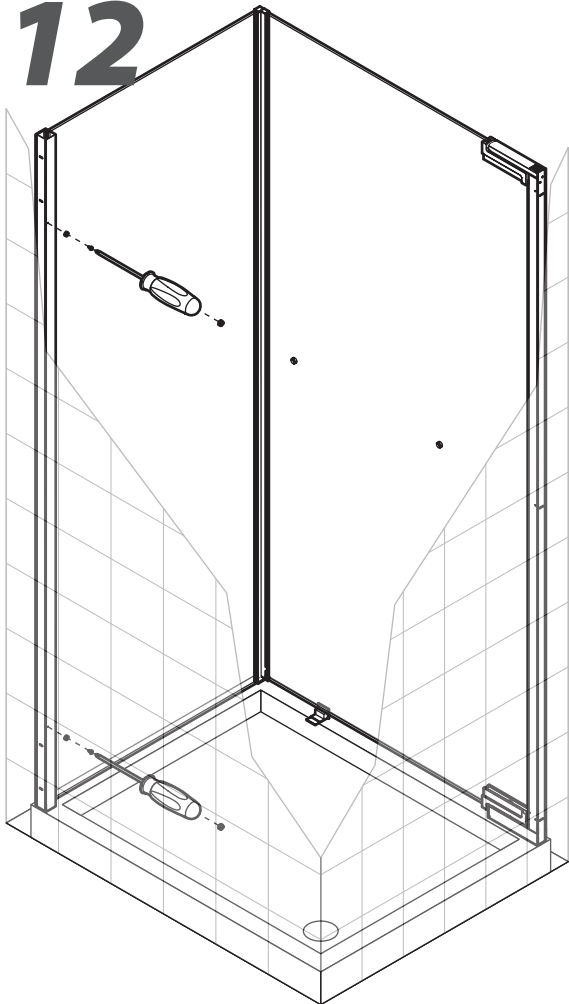
# 11



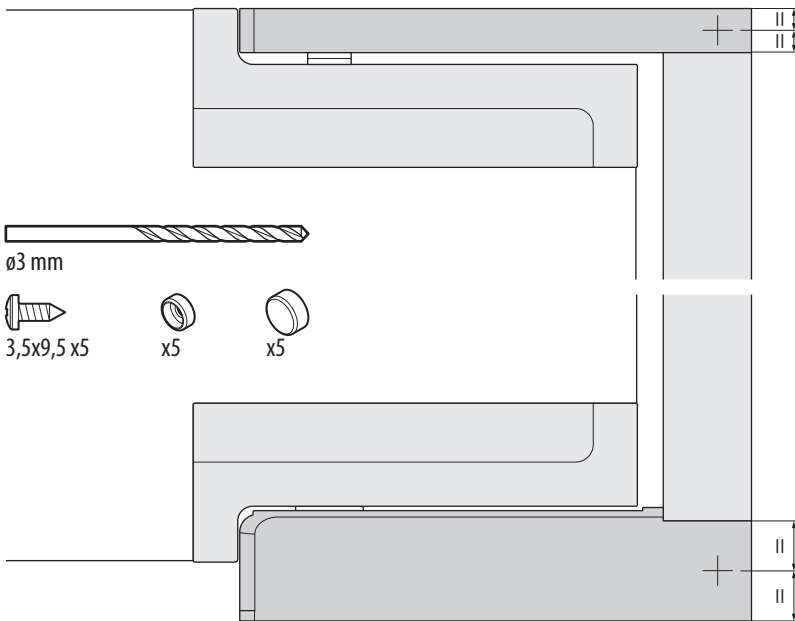
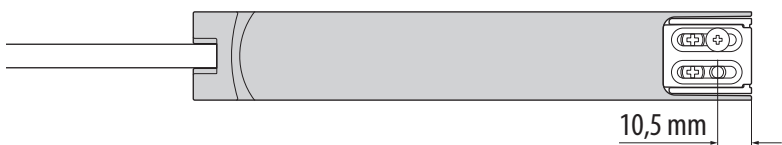
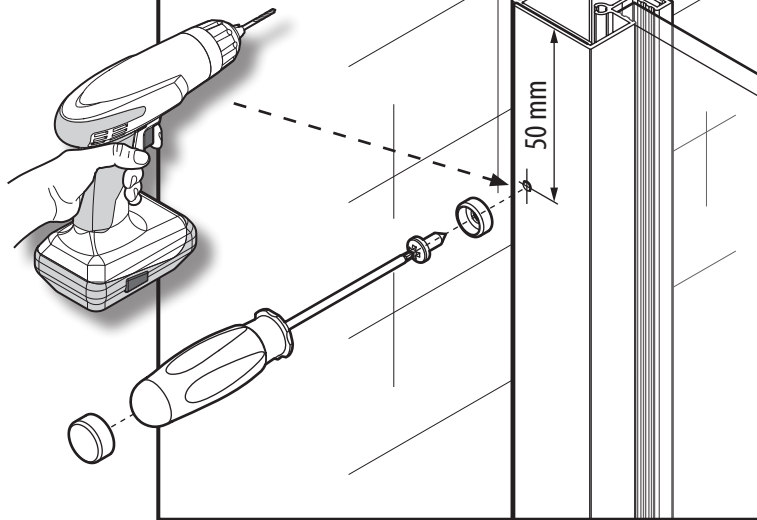
18  
28



# 12



## x2



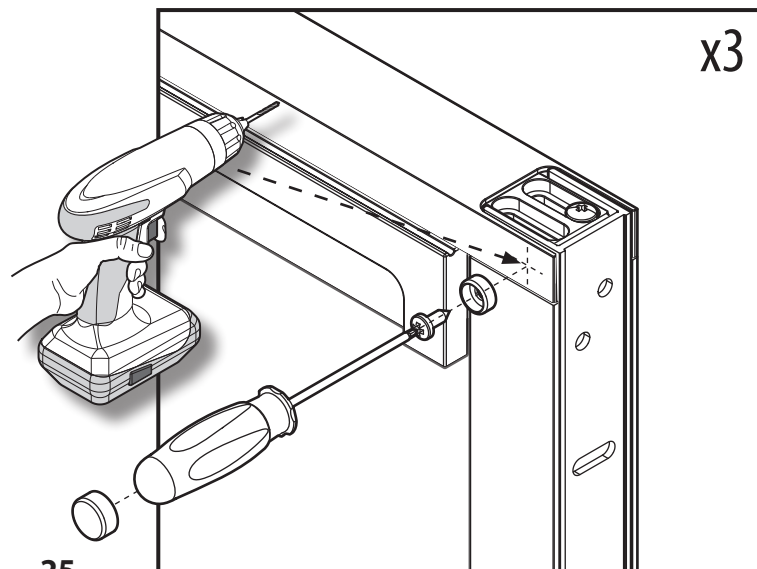
$\varnothing 3 \text{ mm}$

3,5x9,5 x5

x5

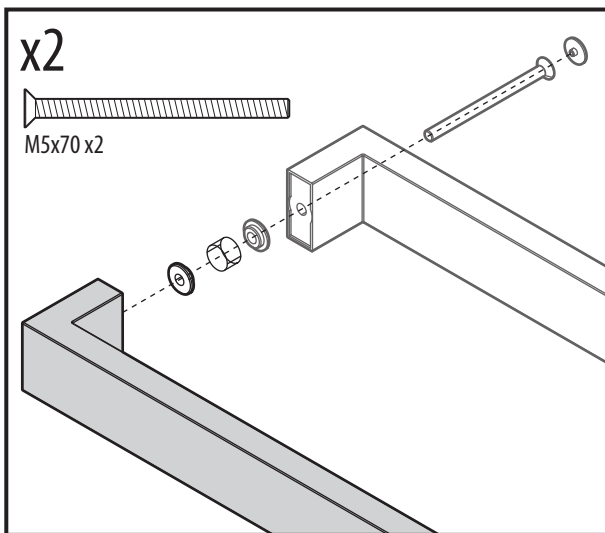
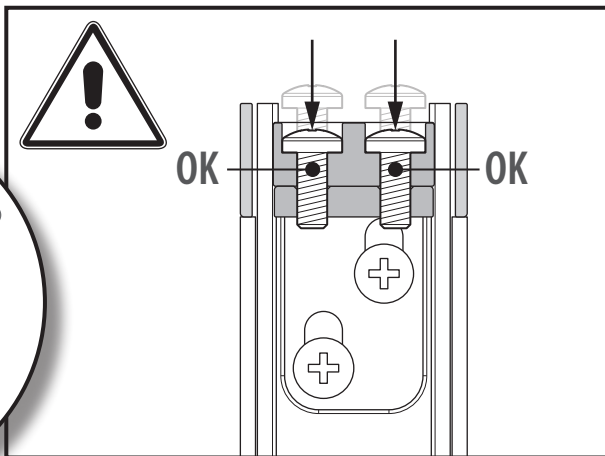
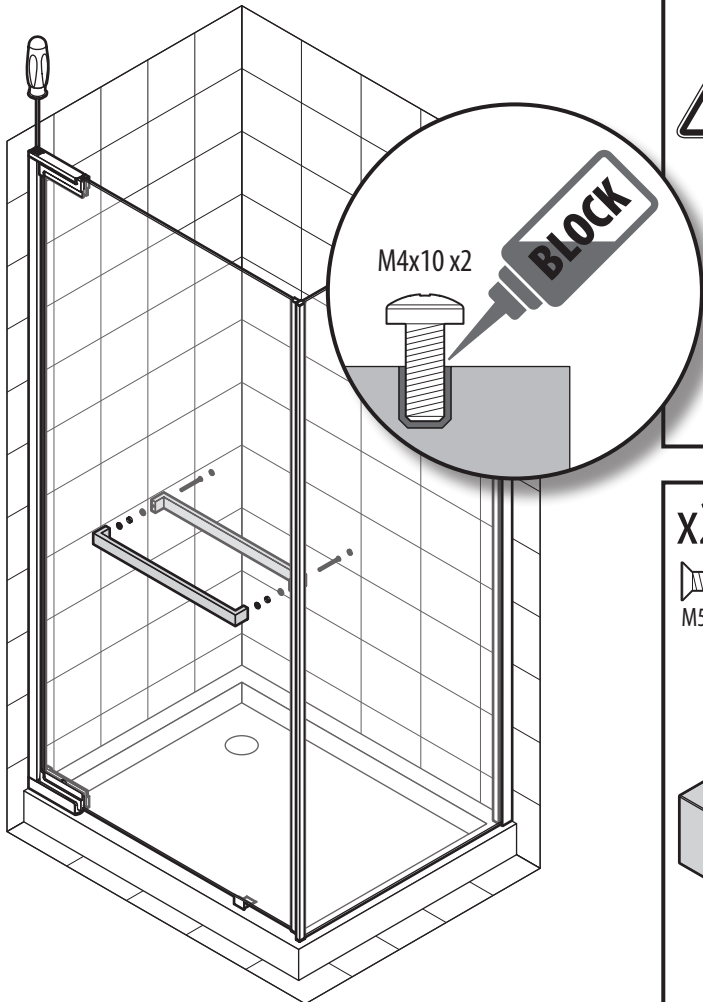
x5

## x3

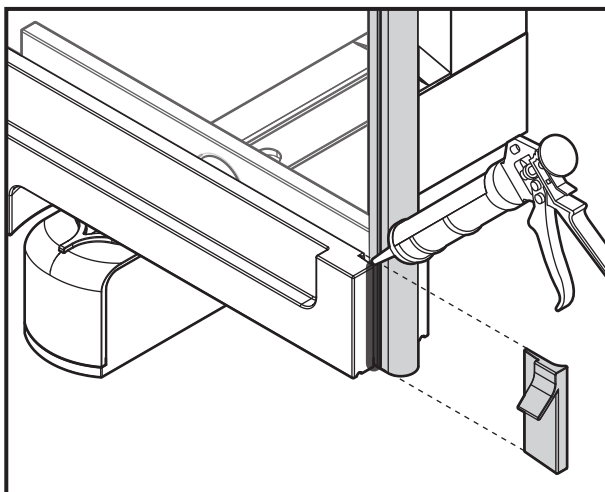
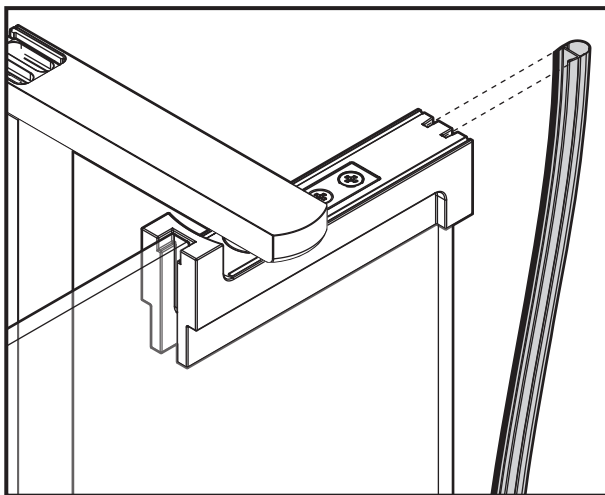
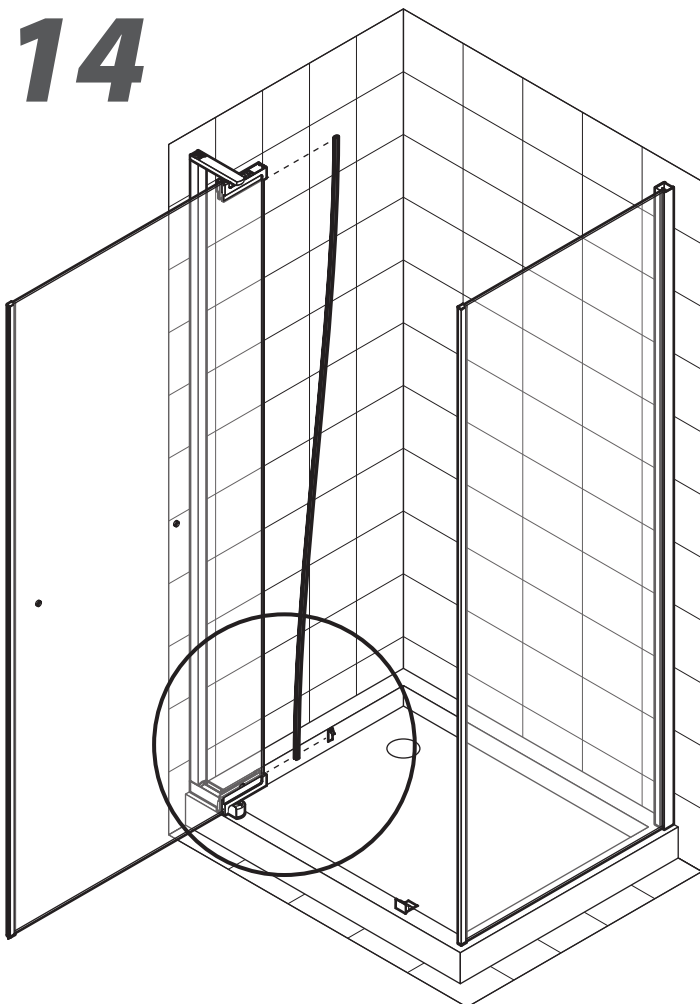


25

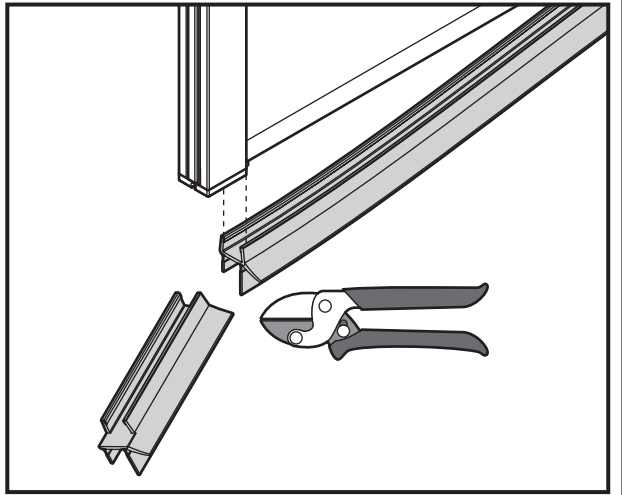
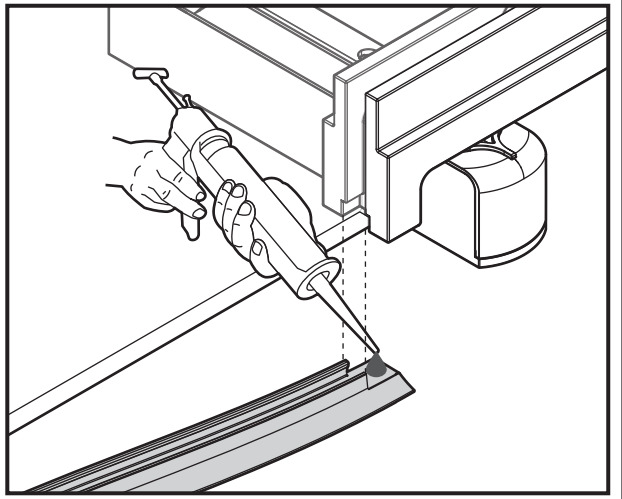
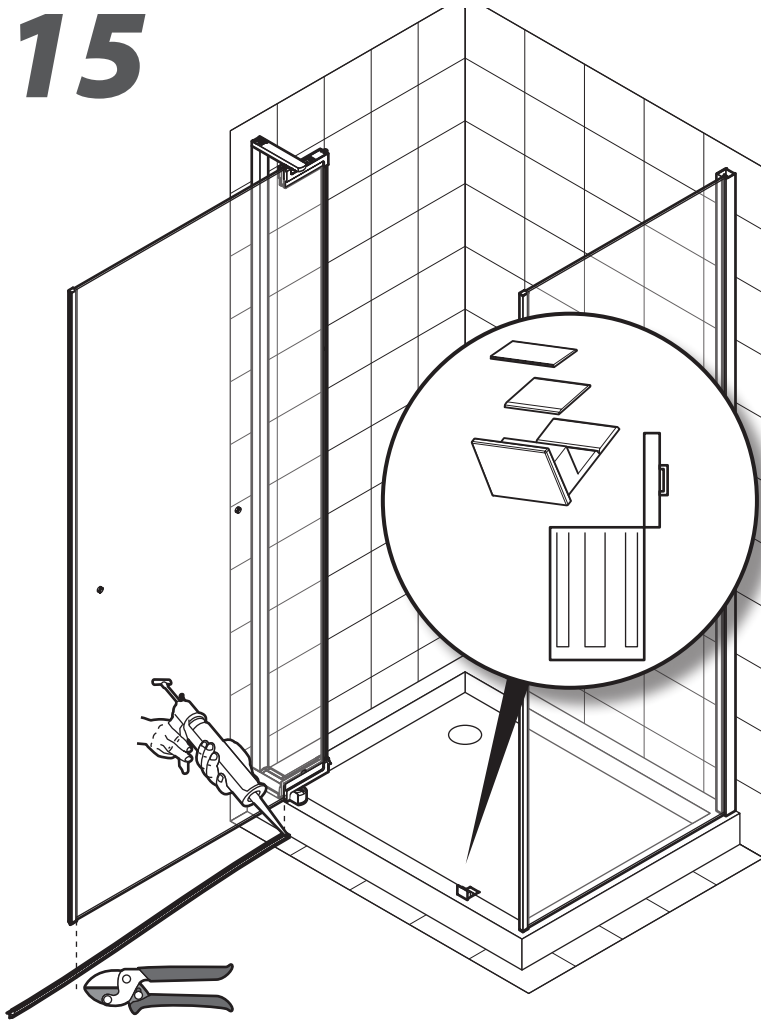
# 13



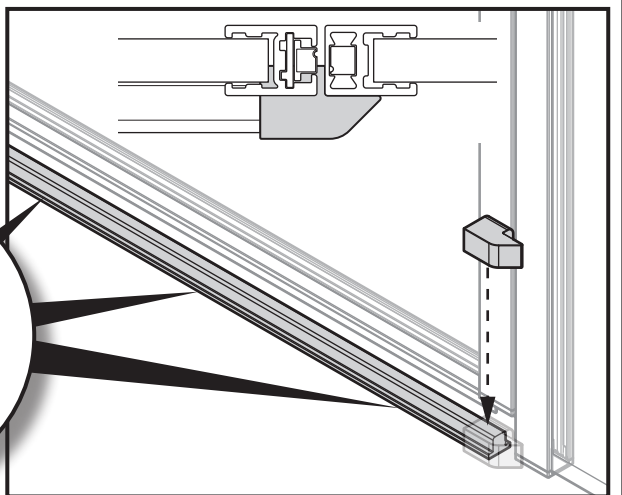
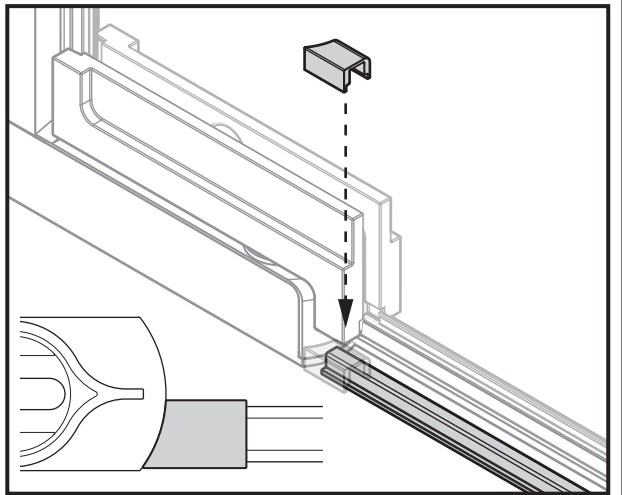
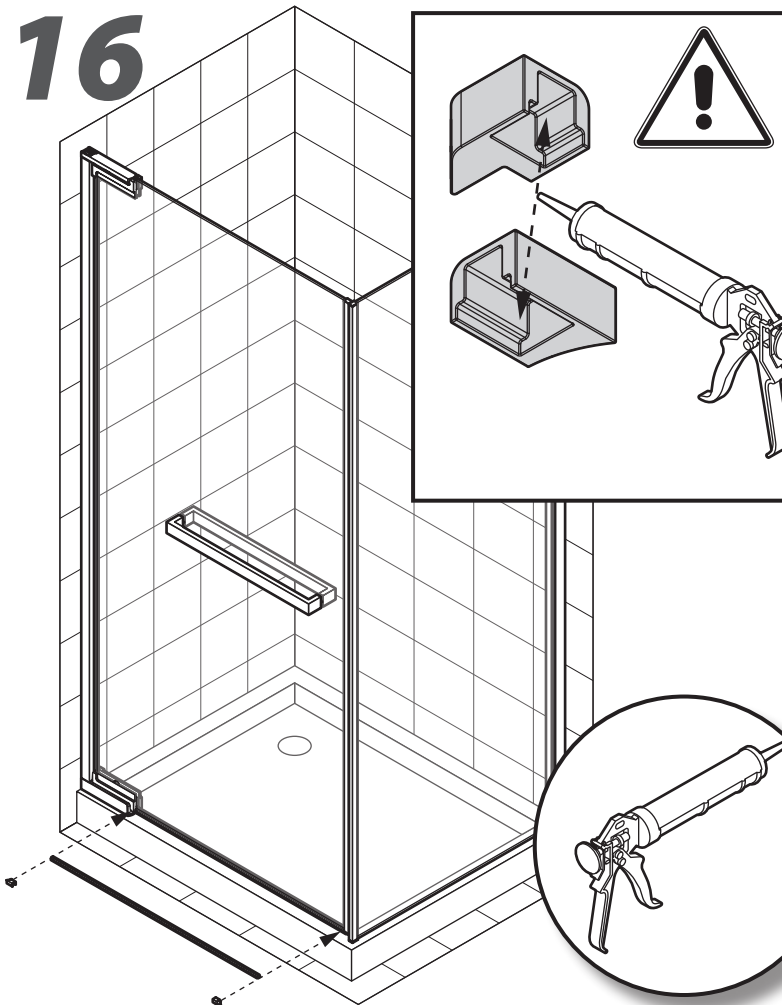
# 14



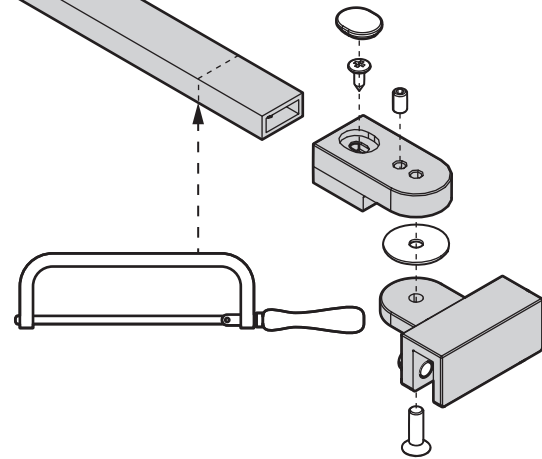
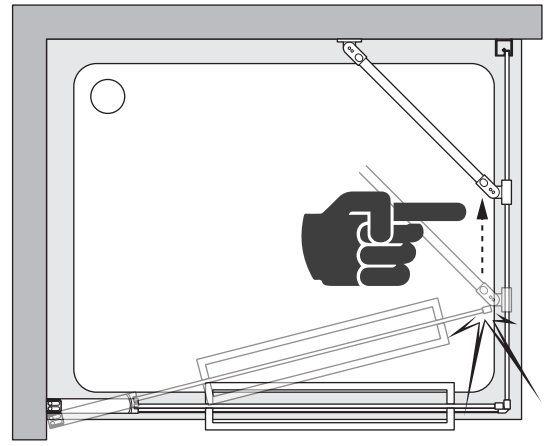
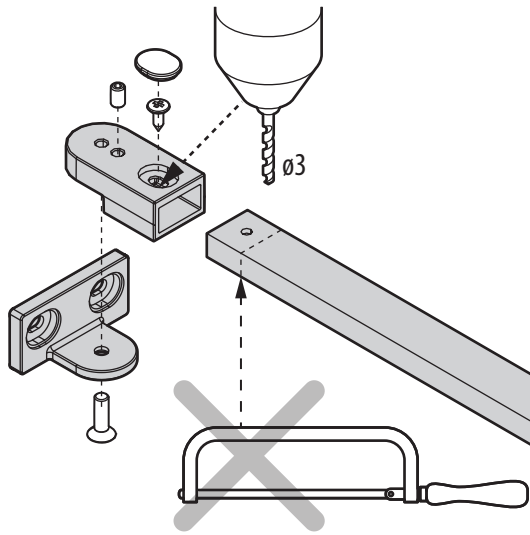
# 15



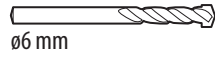
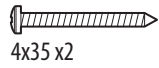
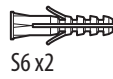
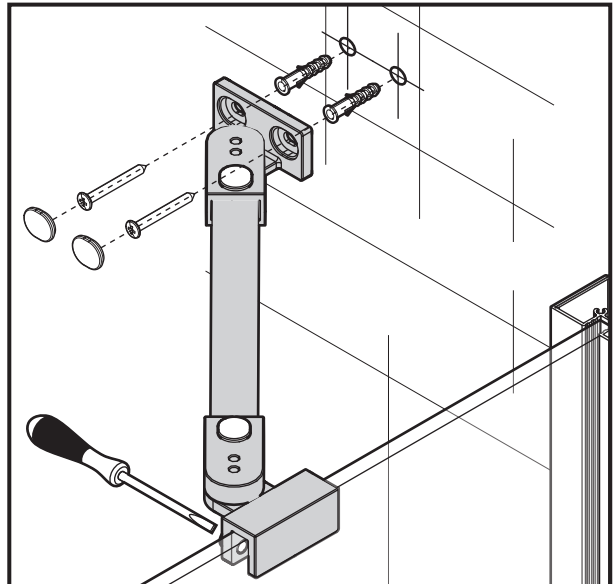
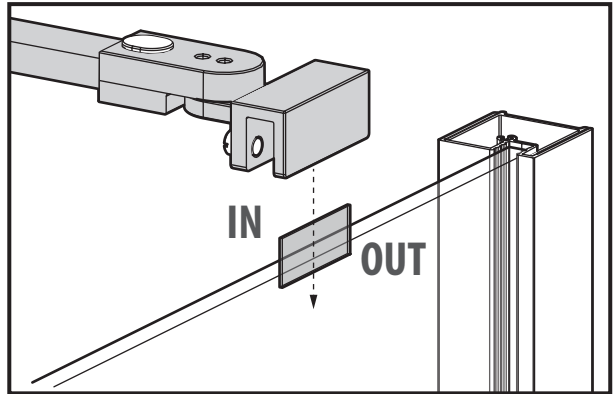
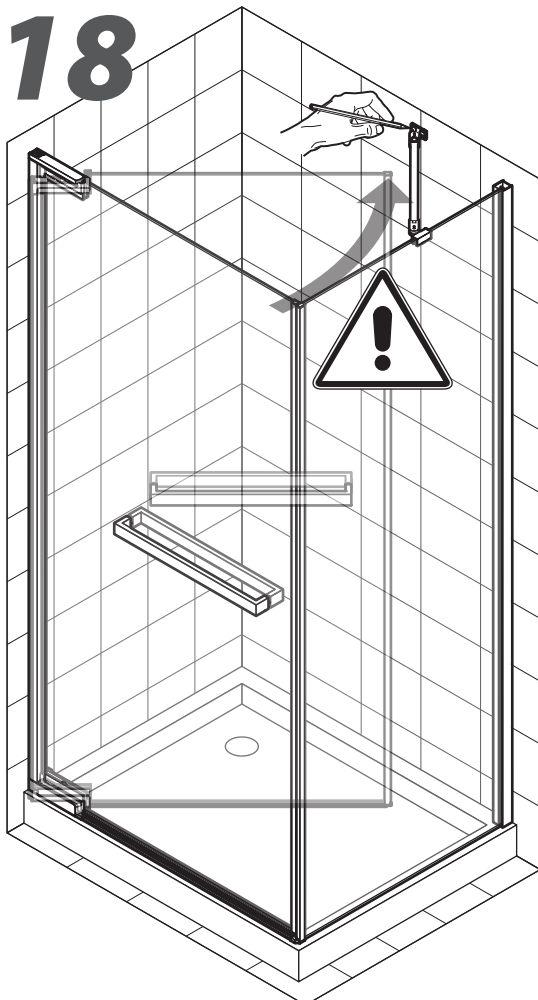
# 16



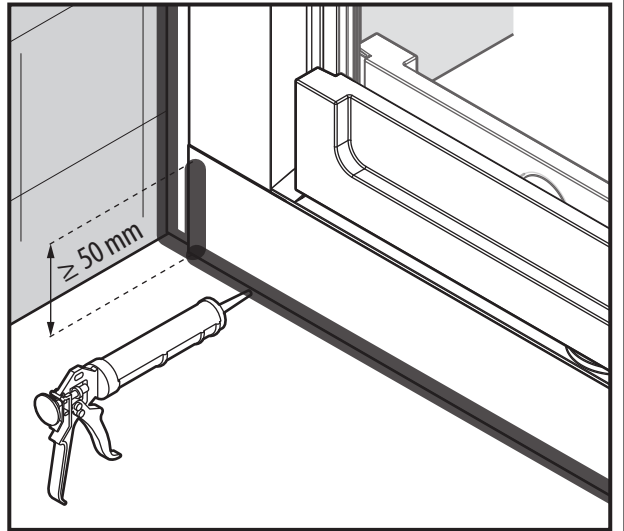
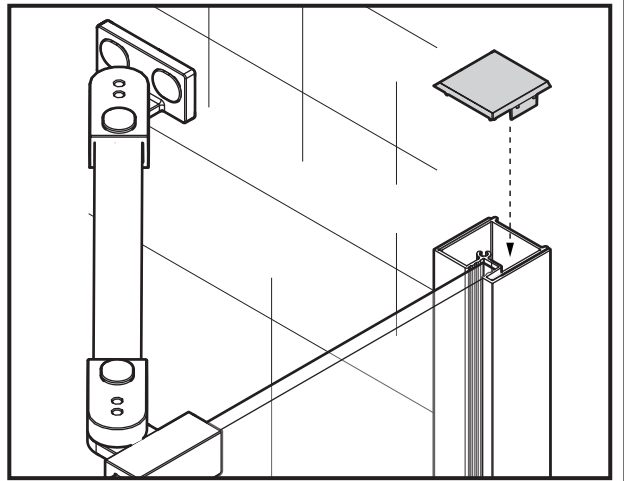
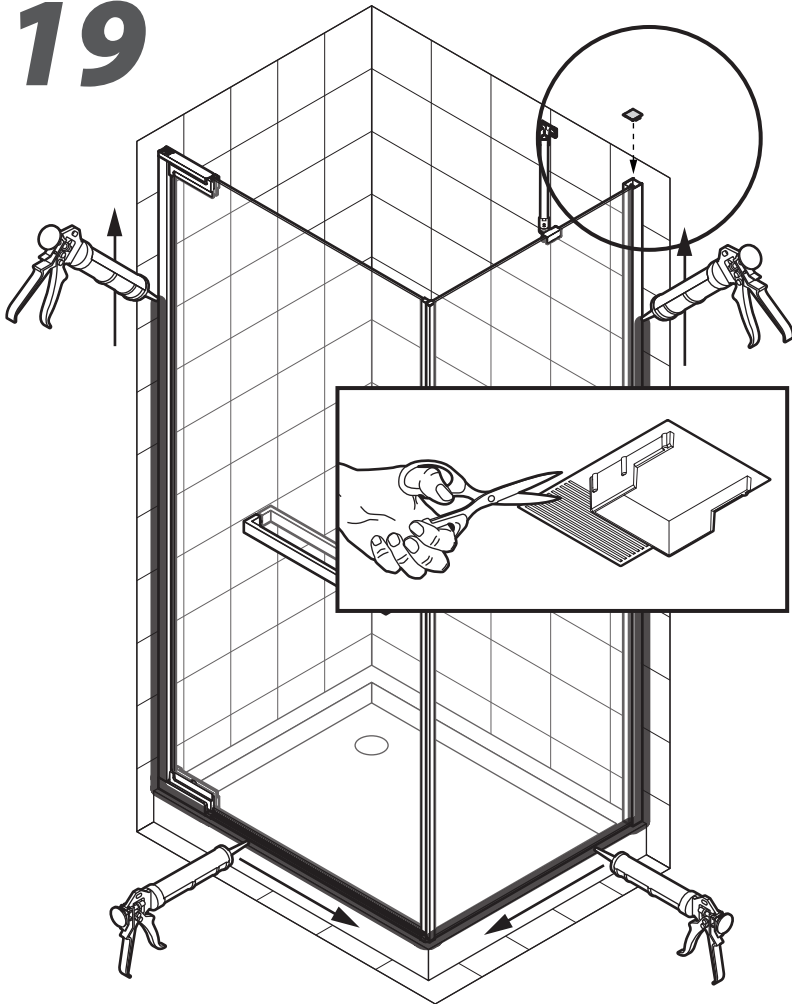
# 17



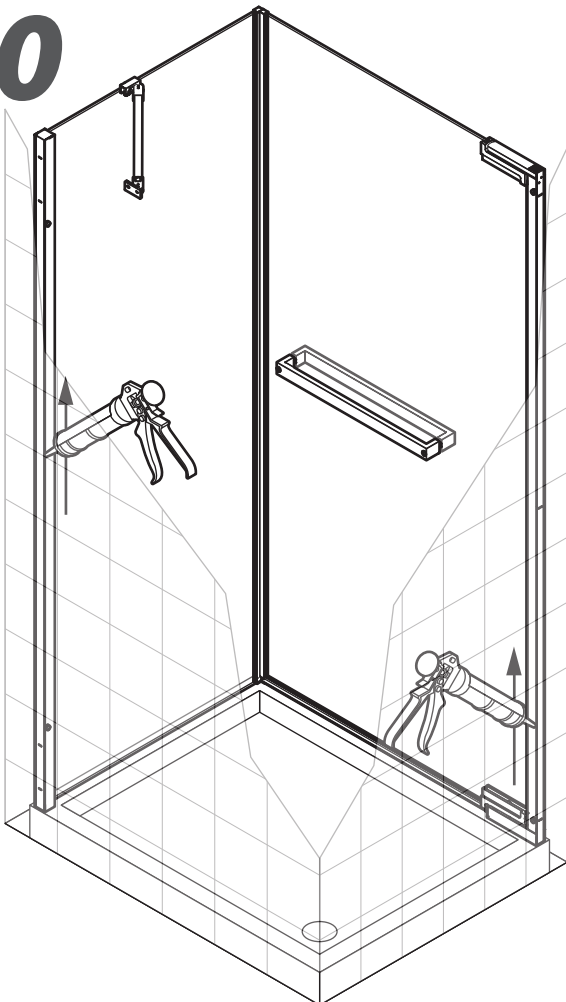
# 18



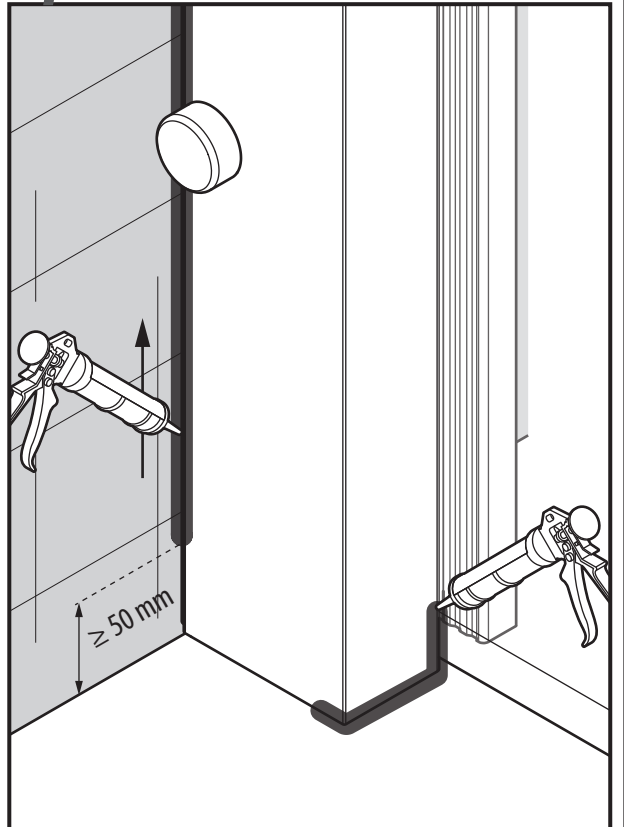
# 19

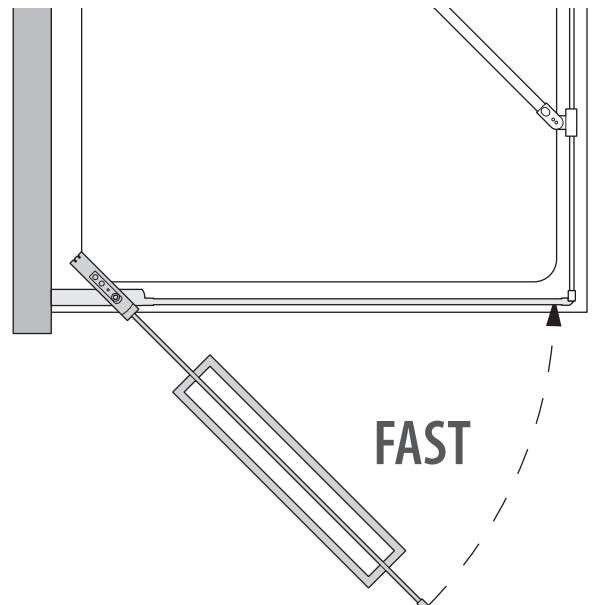
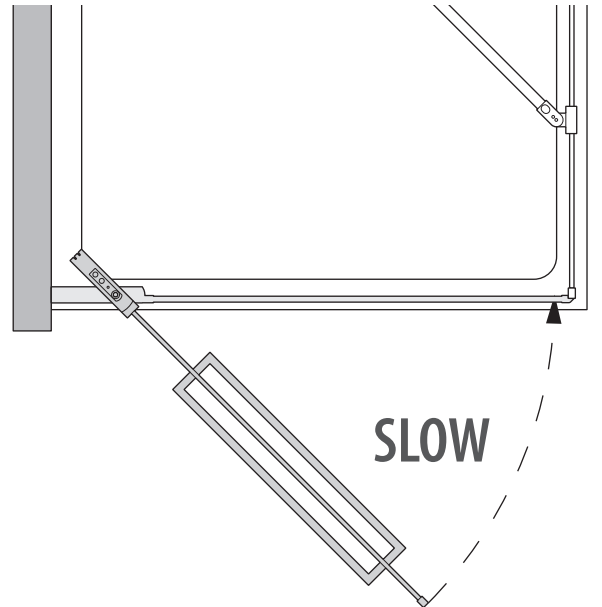
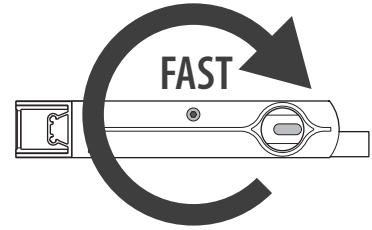
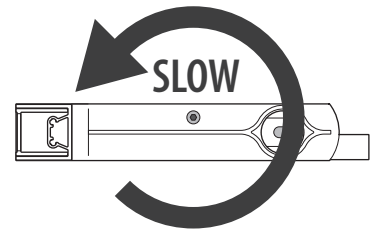
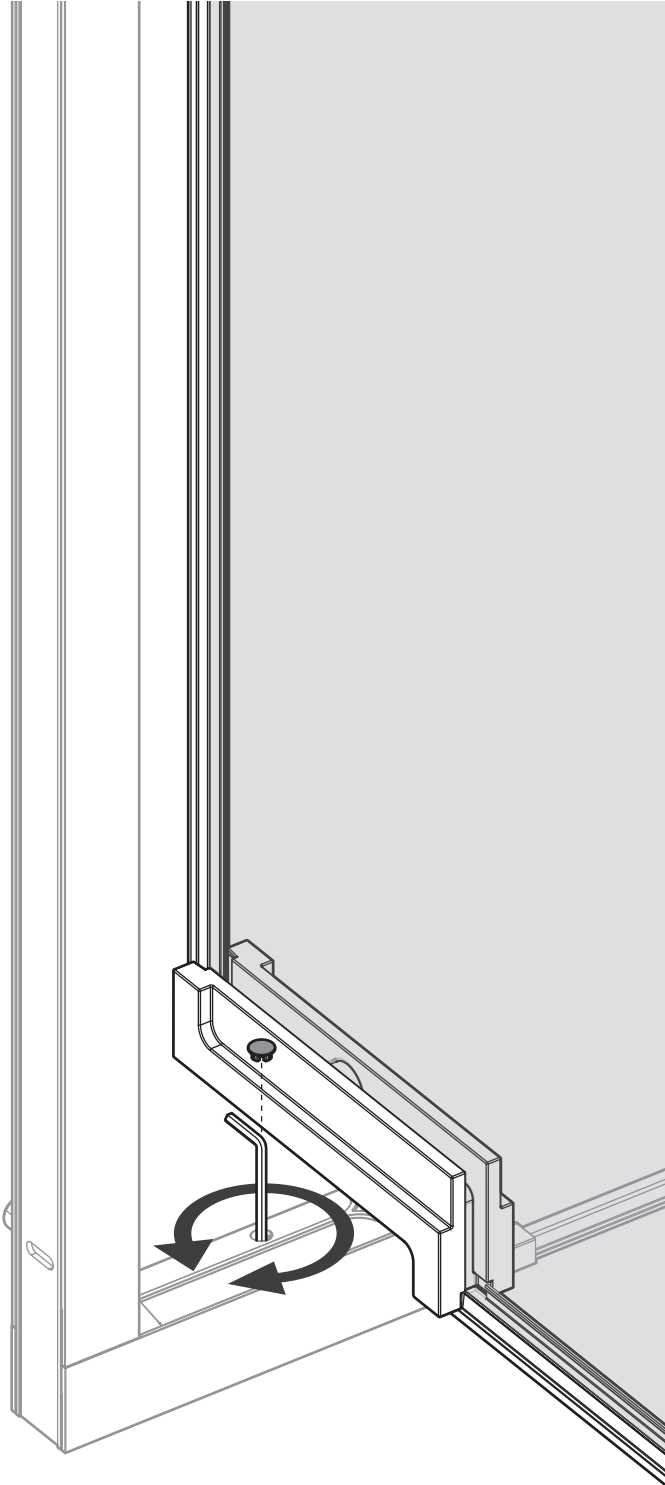


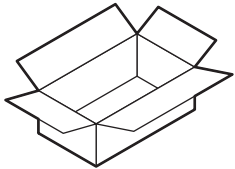
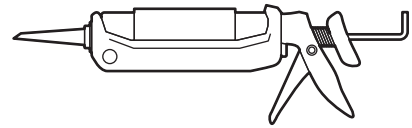
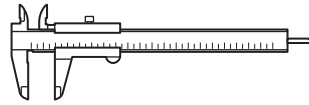
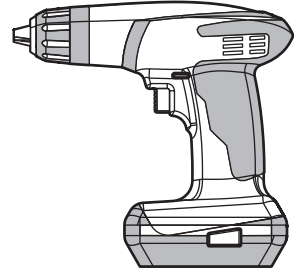
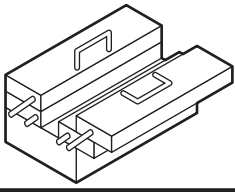
# 20



## Optional







x1



x1



x1



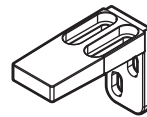
x1



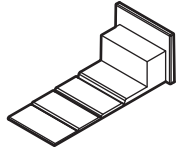
x1



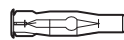
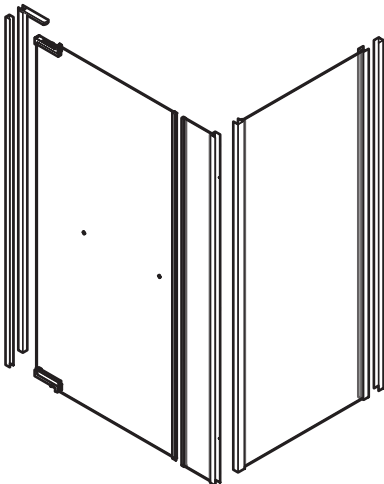
x2



x1



x1



FU8x50 x7



x1



56 x4



M4x10 x2



x7



4,5x60 x7



3,5x45 x2



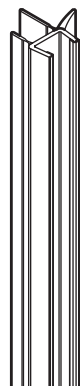
4x35 x4



3,5x9,5 x7



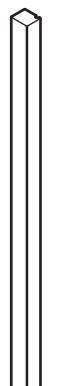
x7



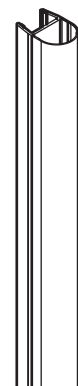
x1



x1



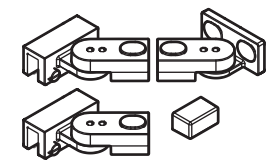
x1



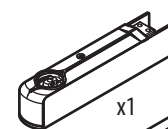
x1



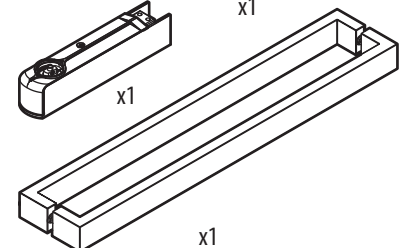
x2



x1



x1



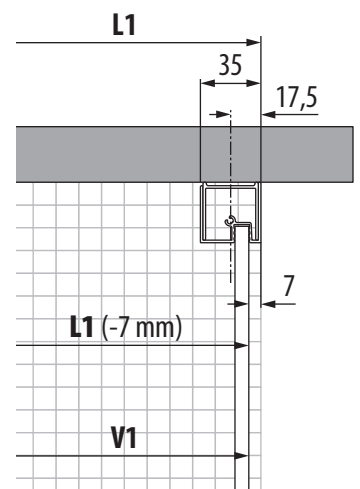
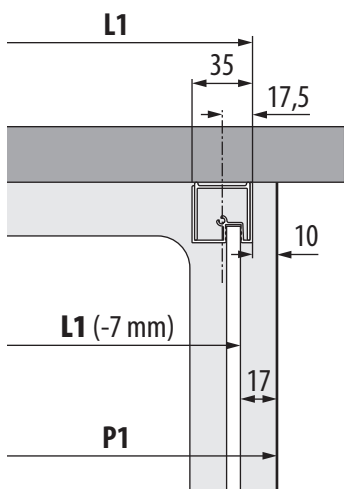
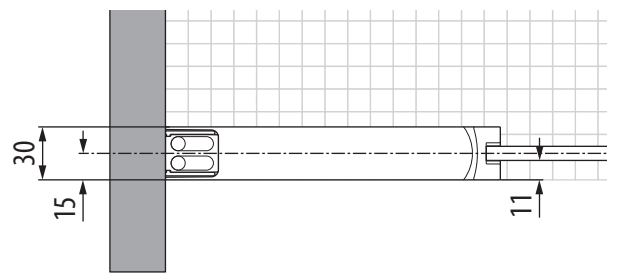
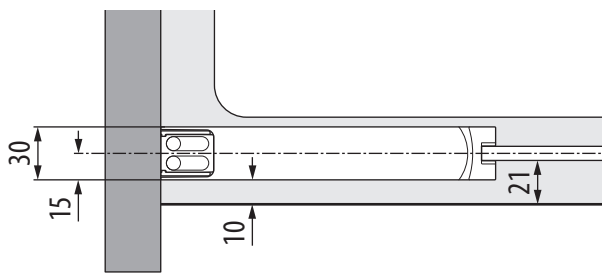
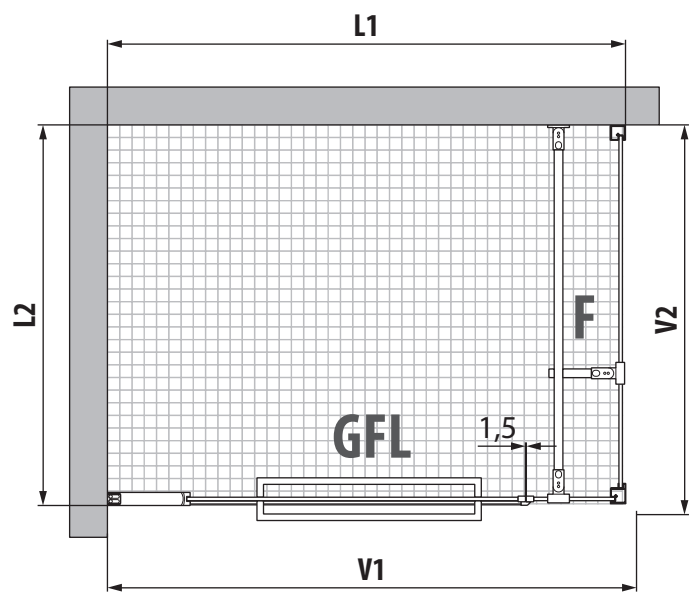
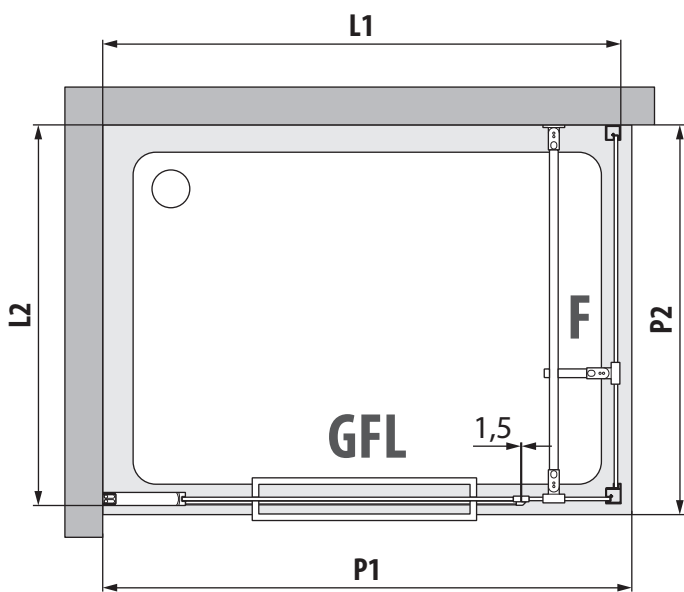
x1

GFL	P1	L1 mm
98	980-1010	970-1000
100	1000-1030	990-1020
118	1180-1210	1170-1200
120	1200-1230	1190-1220
138	1380-1410	1370-1400
140	1400-1430	1390-1420
158	1580-1610	1570-1600
160	1600-1630	1590-1620
178	1780-1810	1770-1800
180	1800-1830	1790-1820

F	P2	L2 mm
80	785-805	775-795
90	885-905	875-895
100	985-1005	975-995
120	1185-1205	1175-1195

GFL	V1	L1 mm
98	959-989	970-1000
100	979-1009	990-1020
118	1159-1189	1170-1200
120	1179-1209	1190-1220
138	1359-1389	1370-1400
140	1379-1409	1390-1420
158	1559-1589	1570-1600
160	1579-1609	1590-1620
178	1759-1789	1770-1800
180	1779-1809	1790-1820

F	V2	L2 mm
80	764-784	775-795
90	864-884	875-895
100	964-984	975-995
120	1164-1184	1175-1195

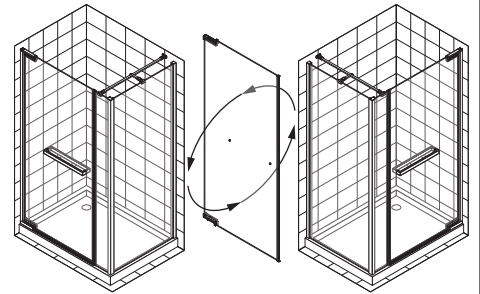
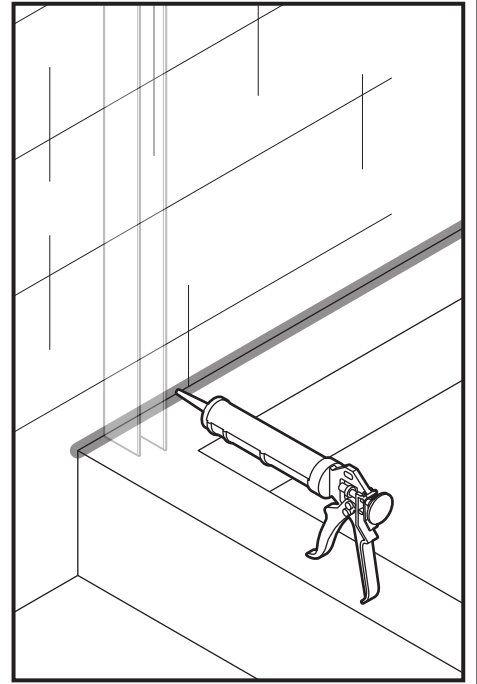
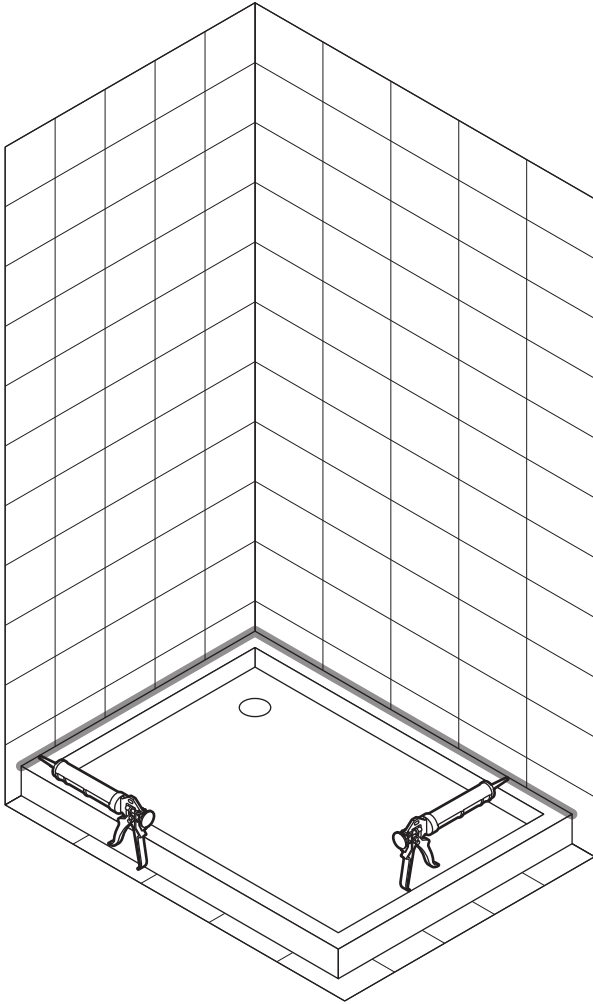


**CLEANIT OR WATER ONLY**

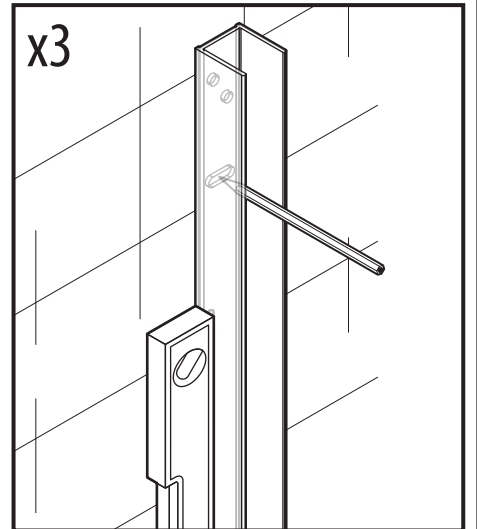
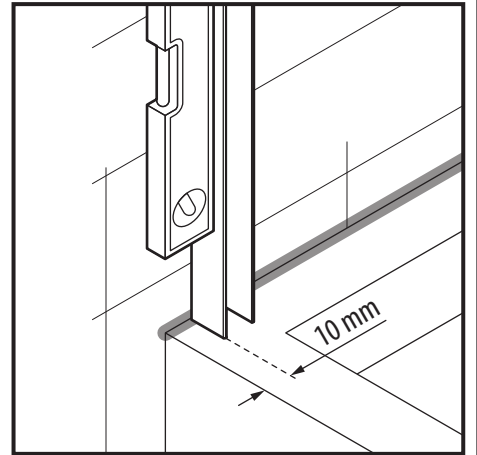
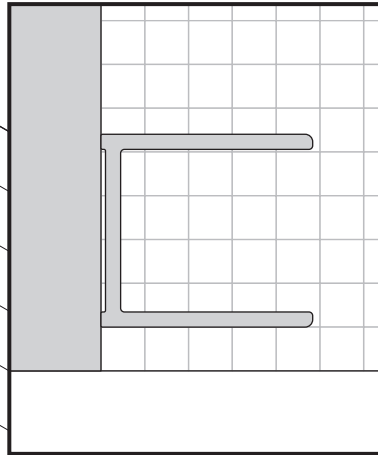
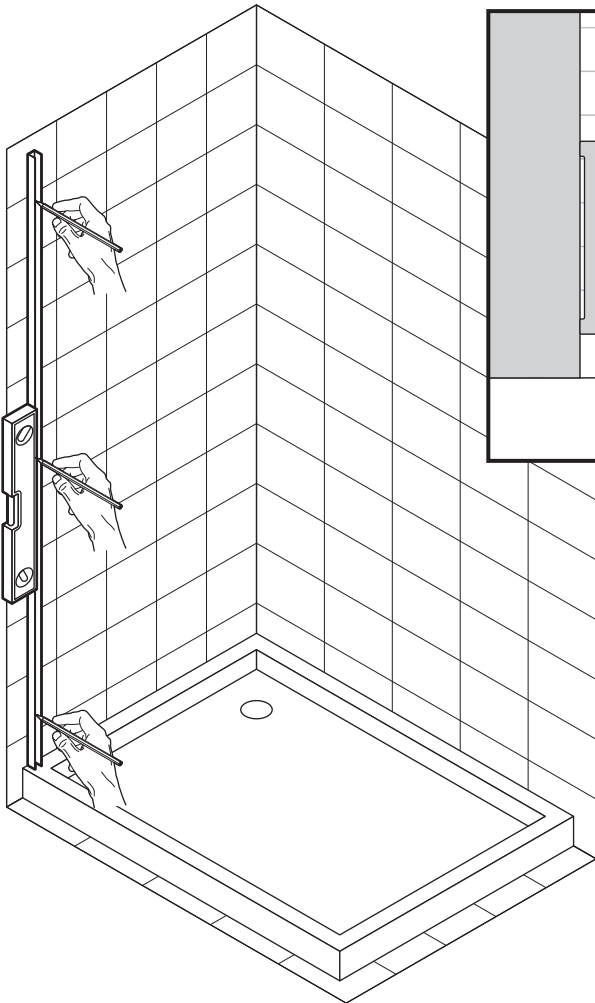
فقط الماء أو كلينيت



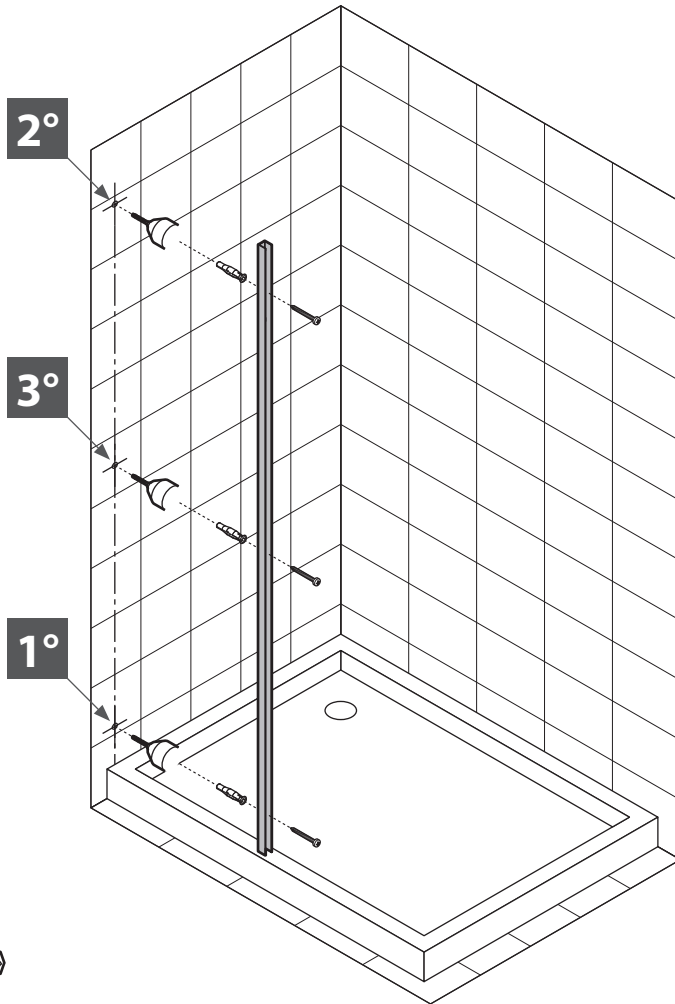
# 1



# 2



# 3



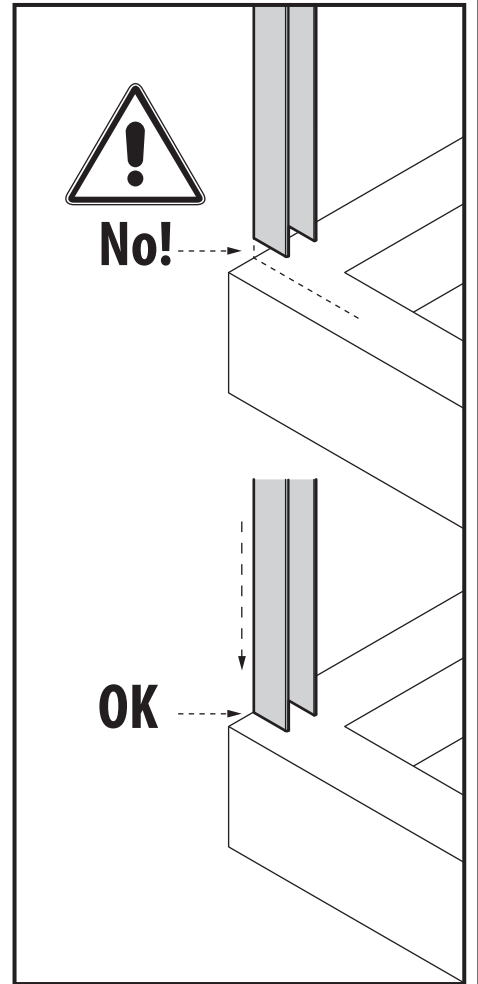
FU8x50 x3



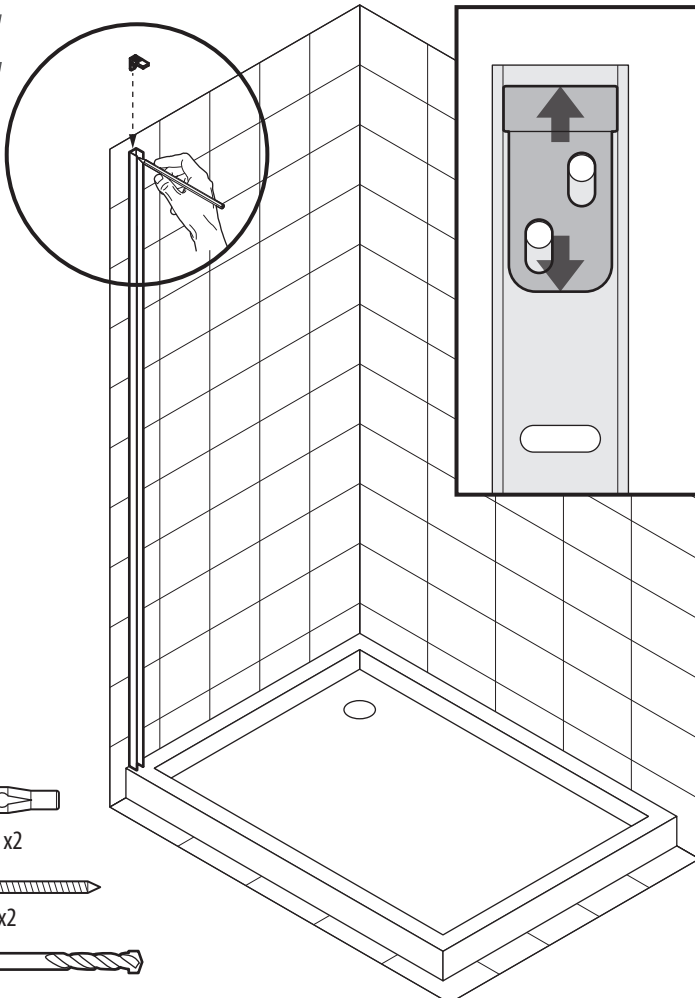
4,5x60 x3



ø8 mm



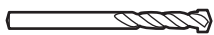
# 4



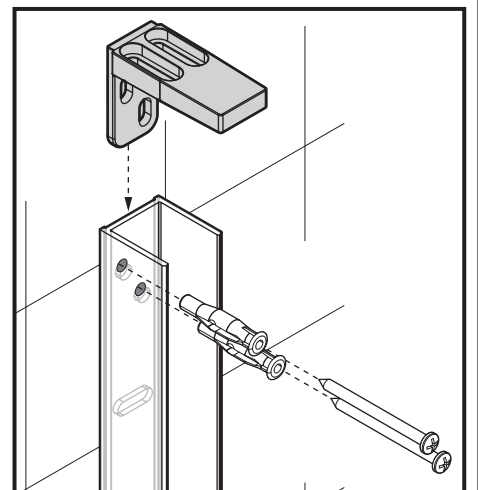
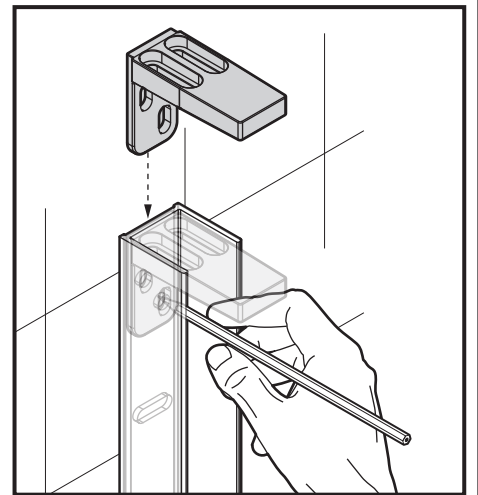
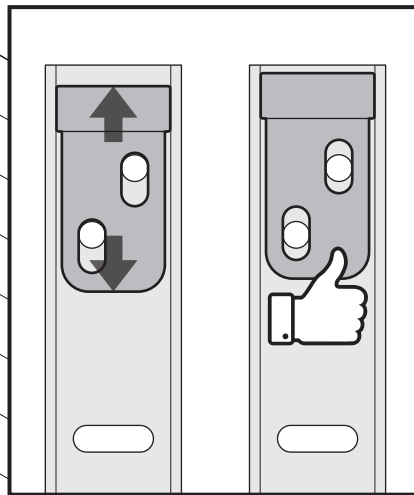
FU8x50 x2



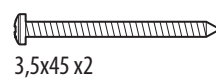
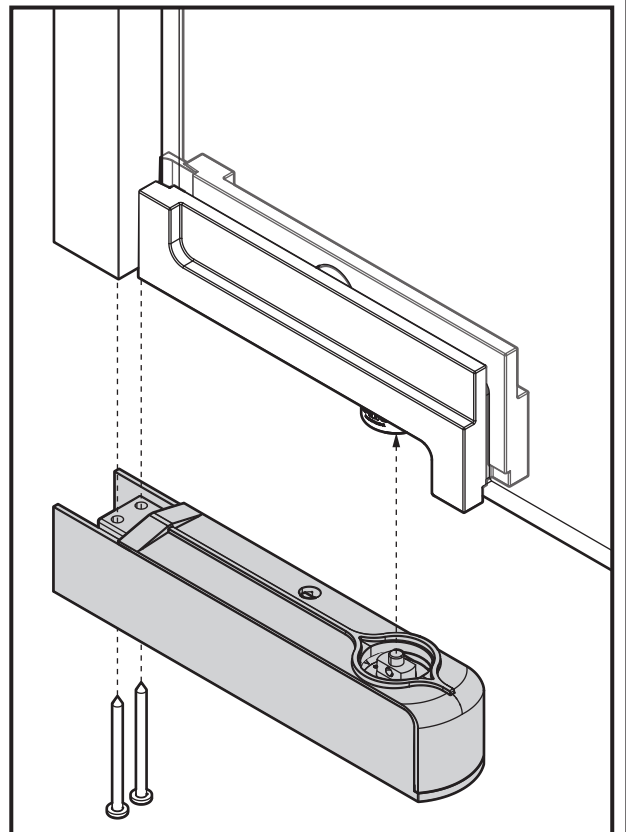
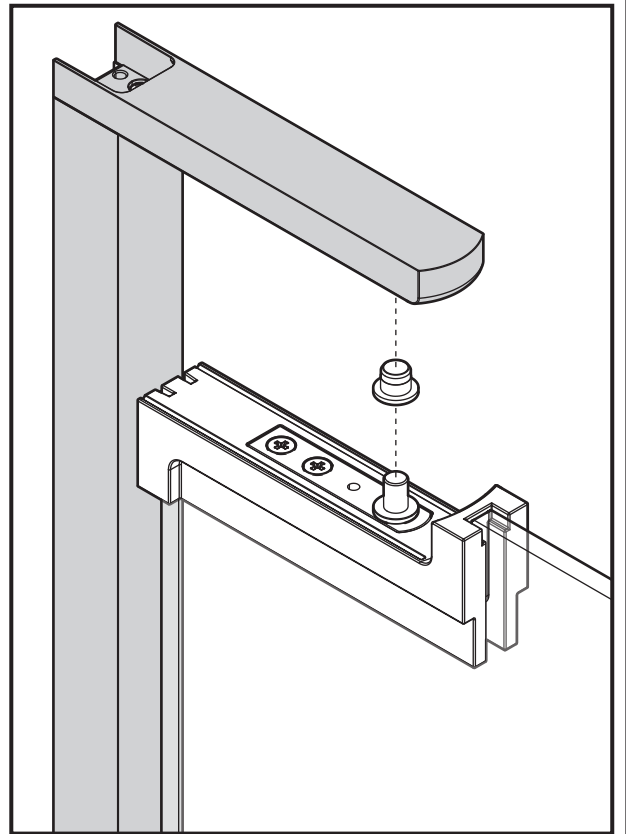
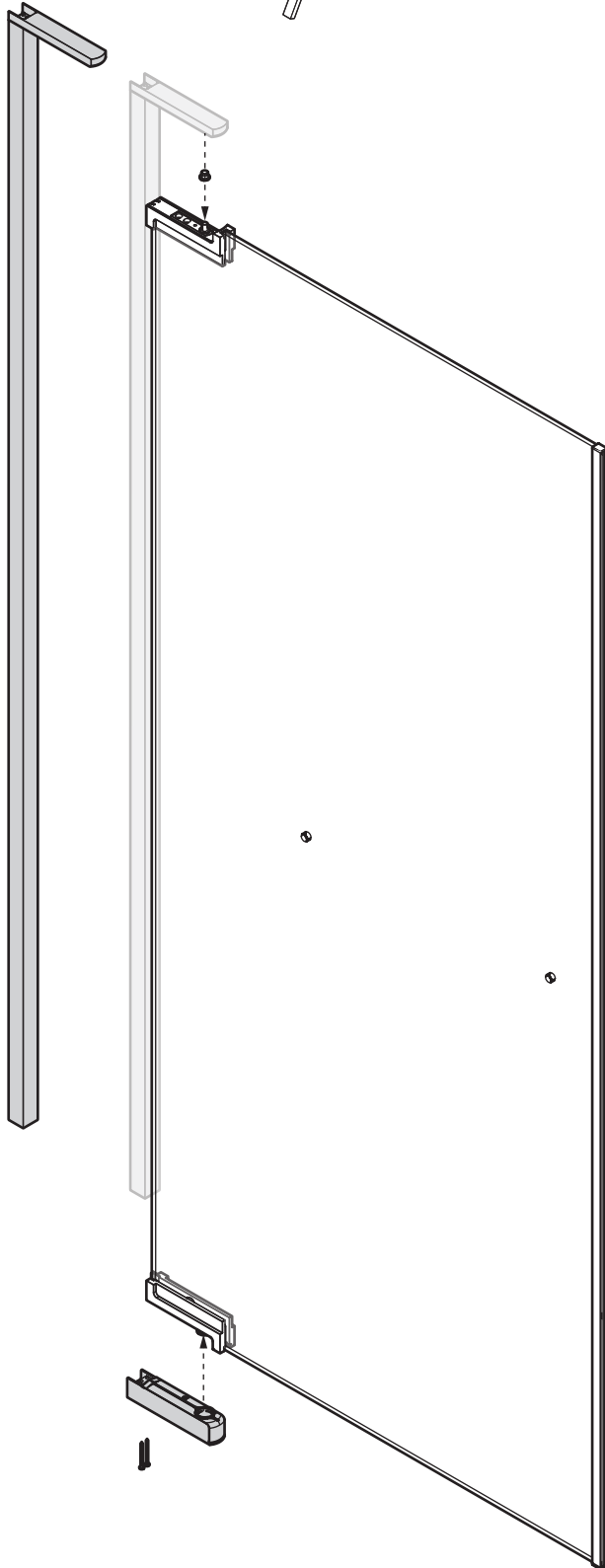
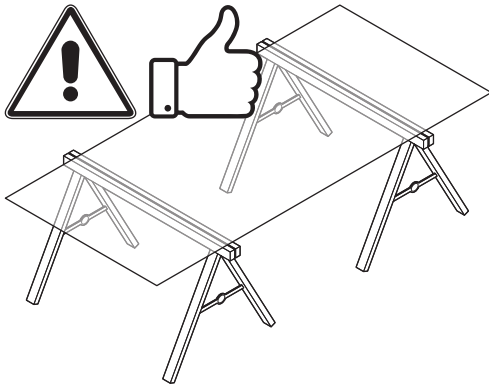
4,5x60 x2



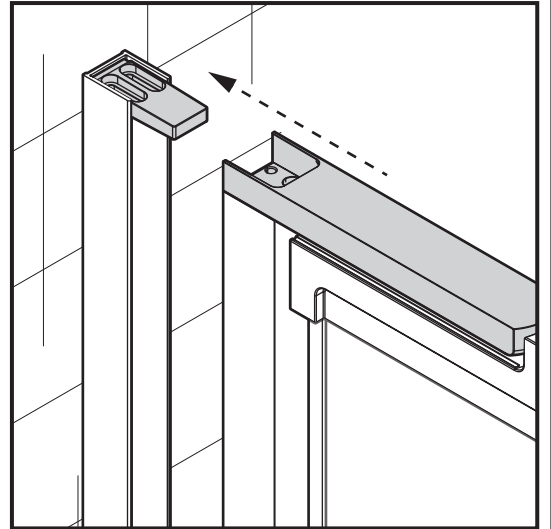
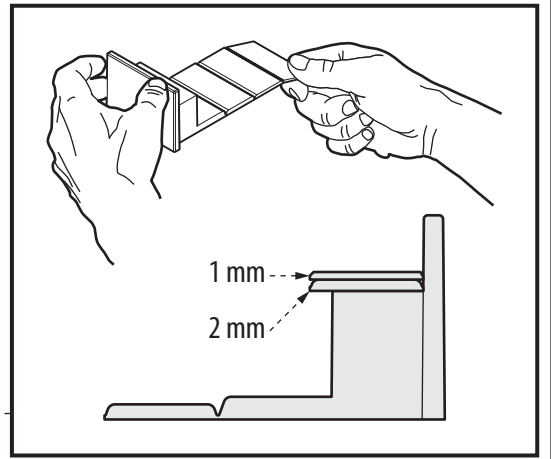
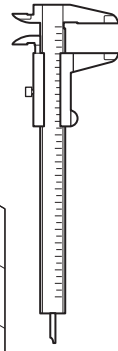
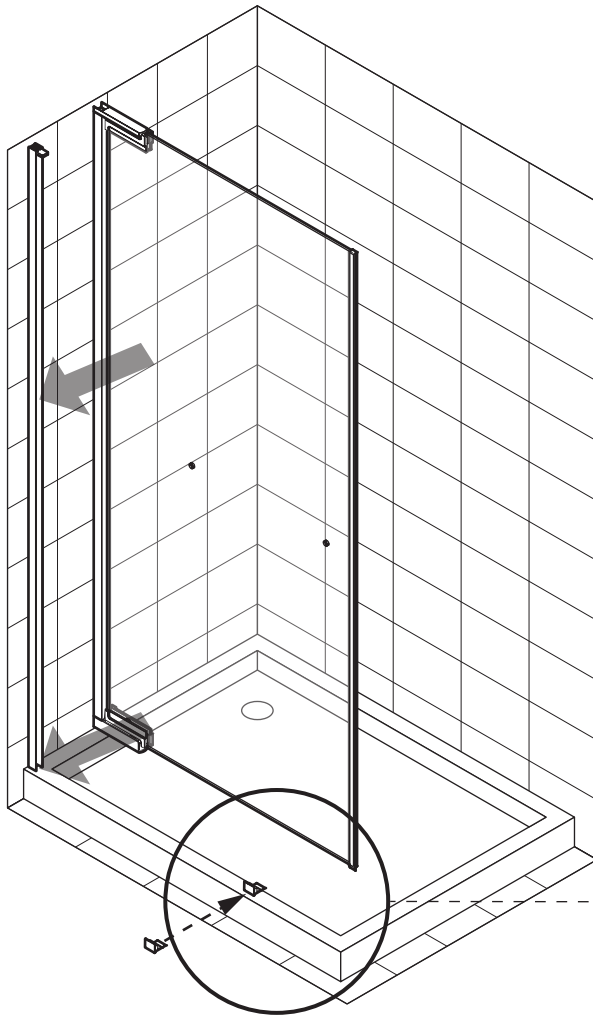
ø8 mm



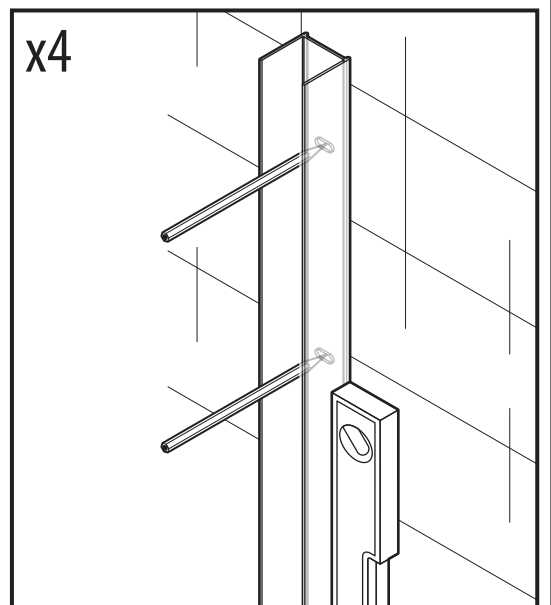
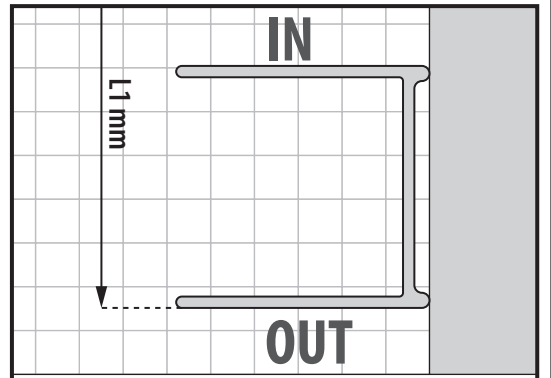
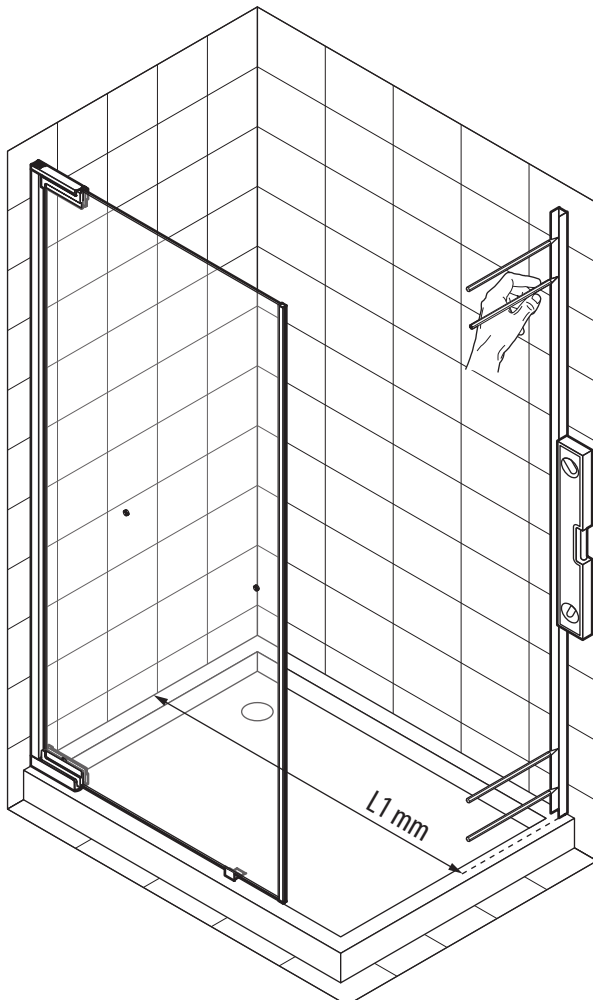
# 5



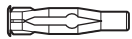
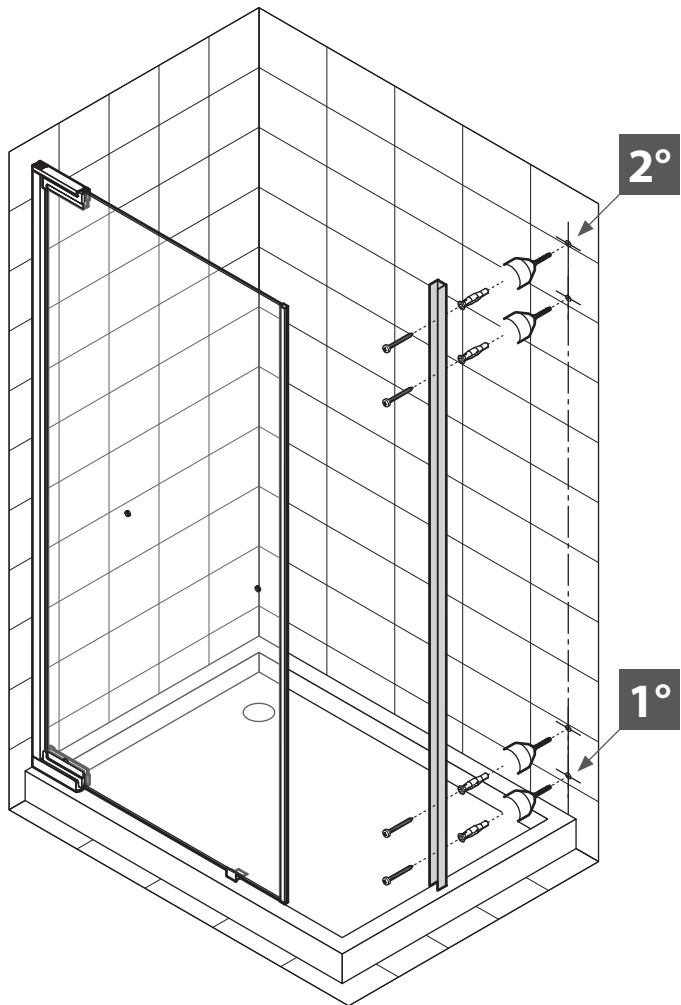
# 6



# 7



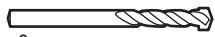
# 8



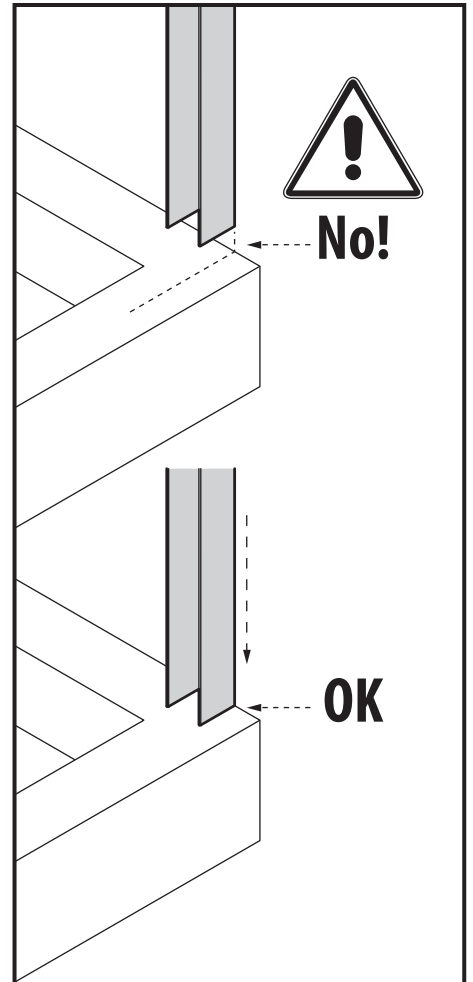
FU8x50 x4



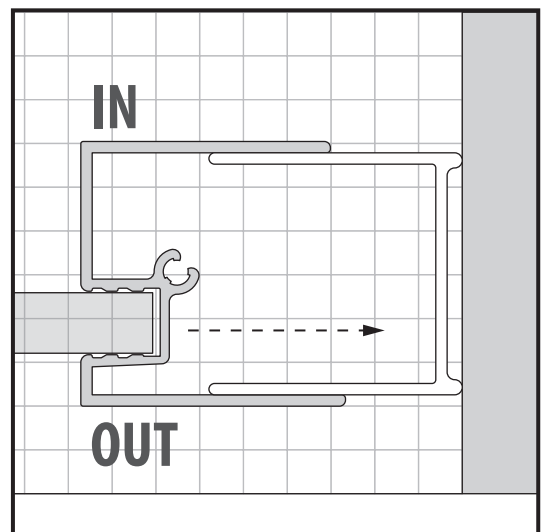
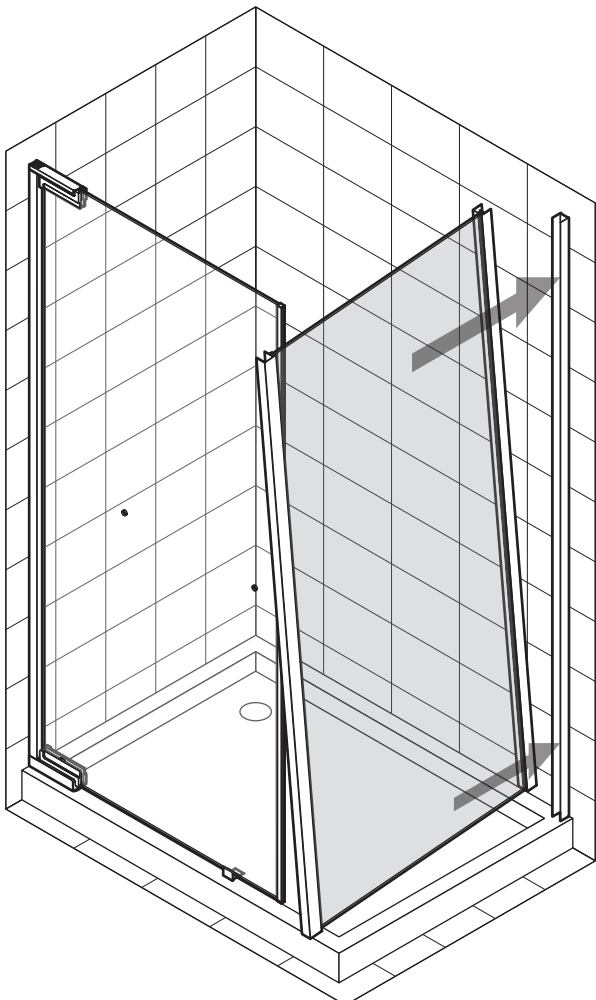
4,5x60 x4



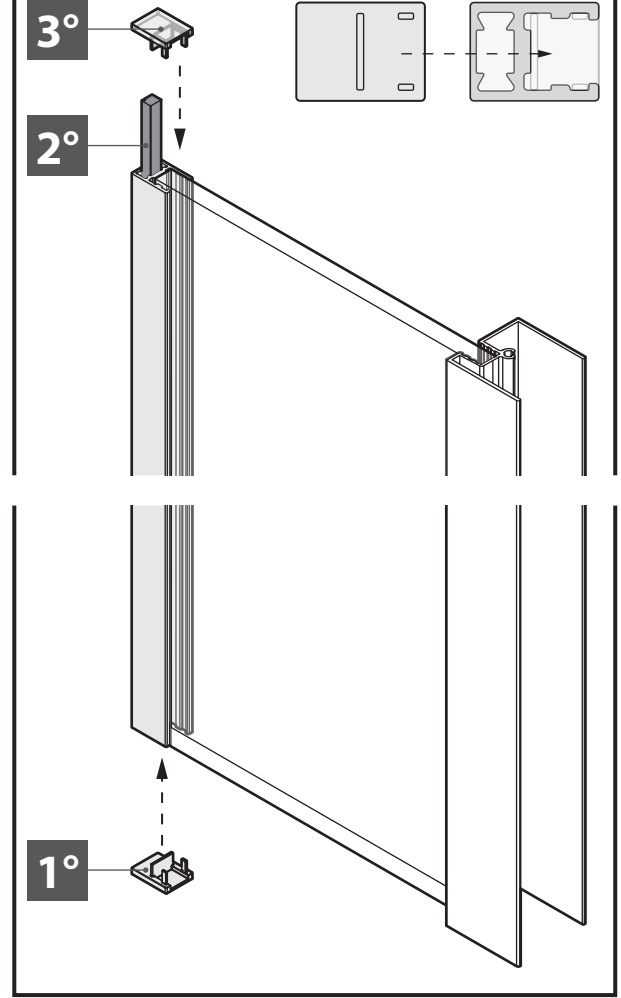
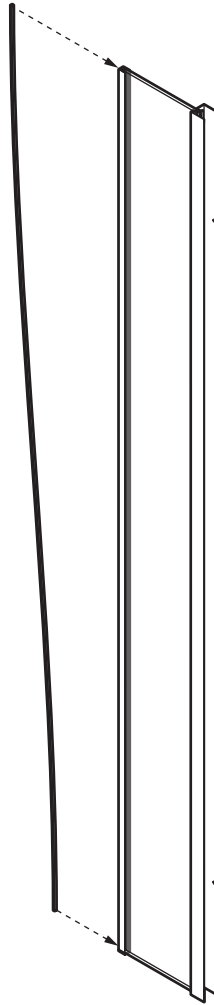
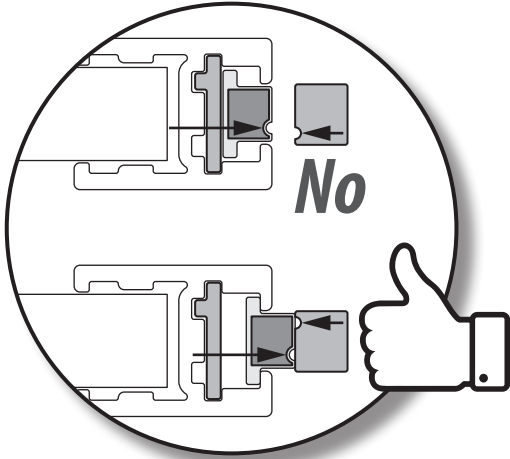
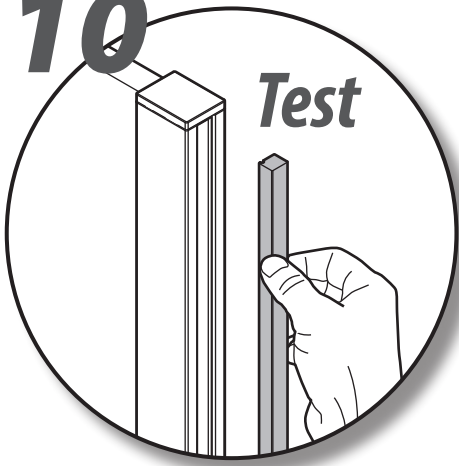
ø8 mm



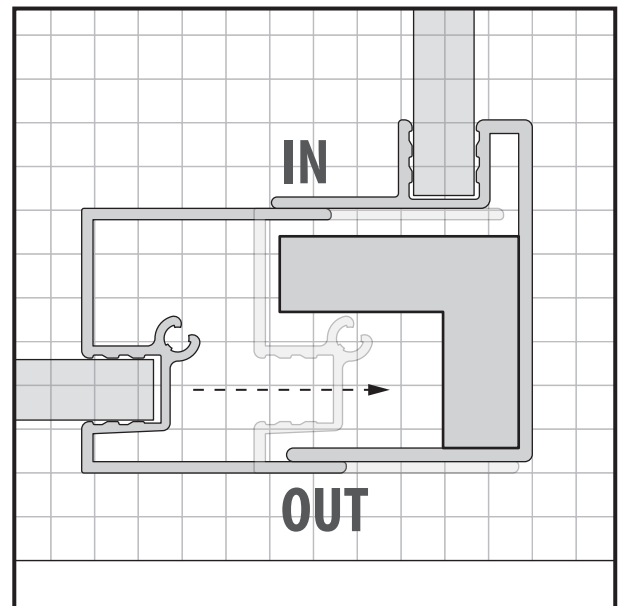
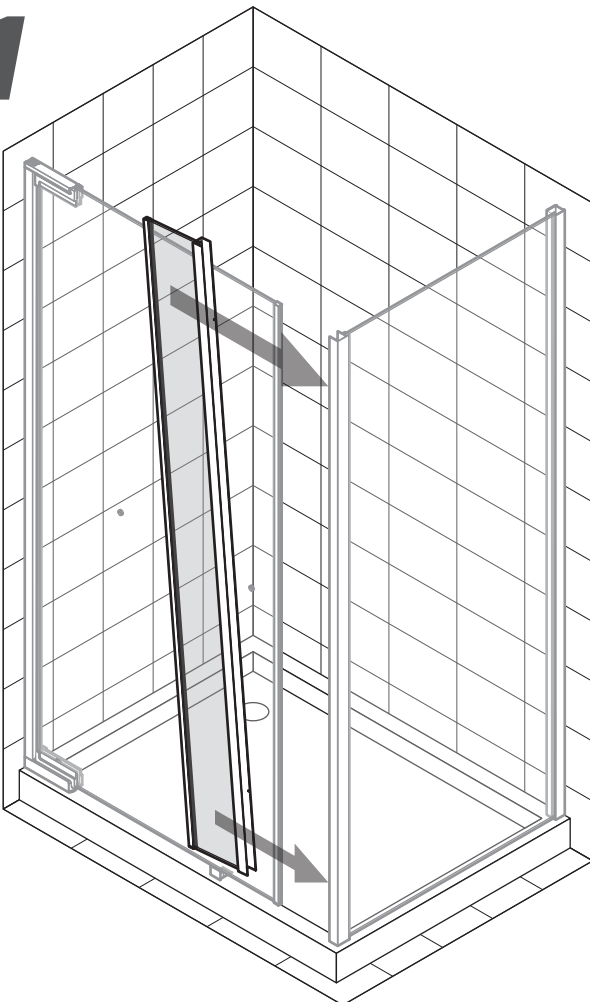
# 9



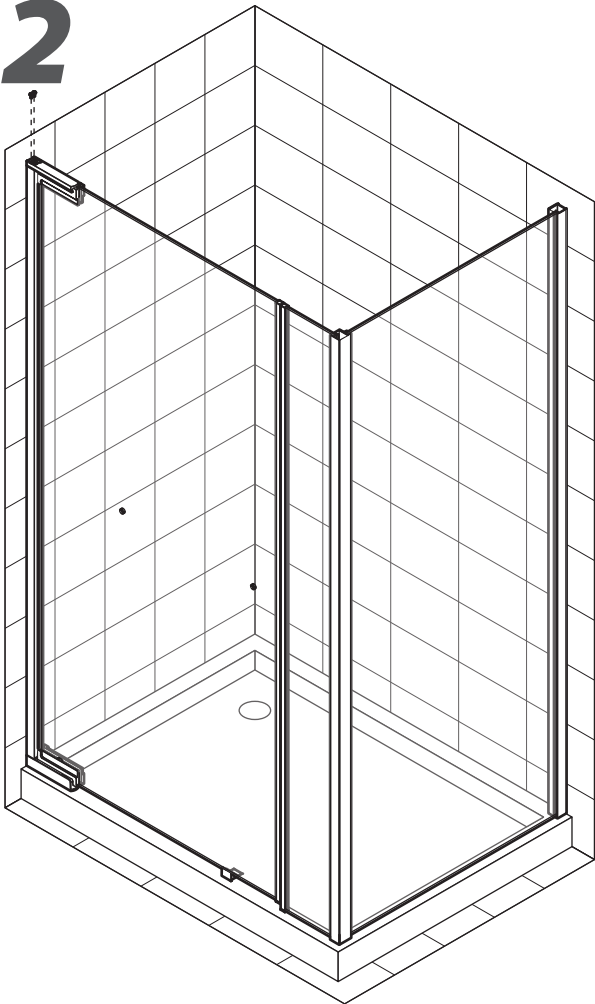
# 10



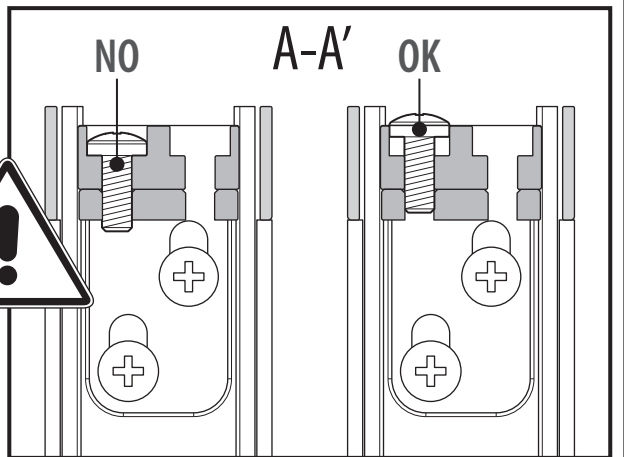
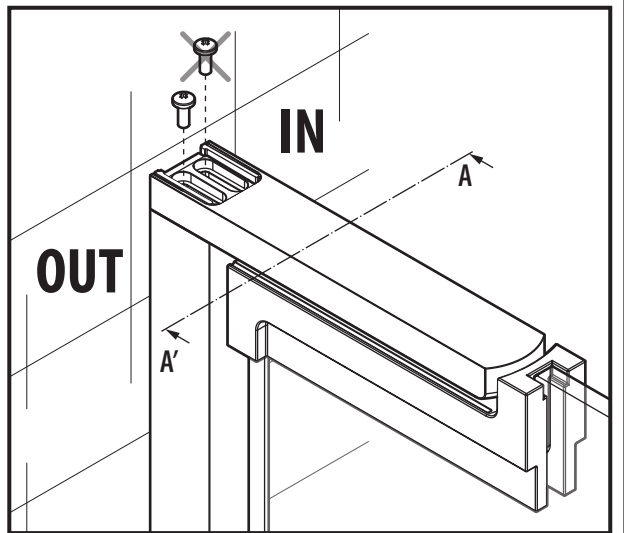
# 11



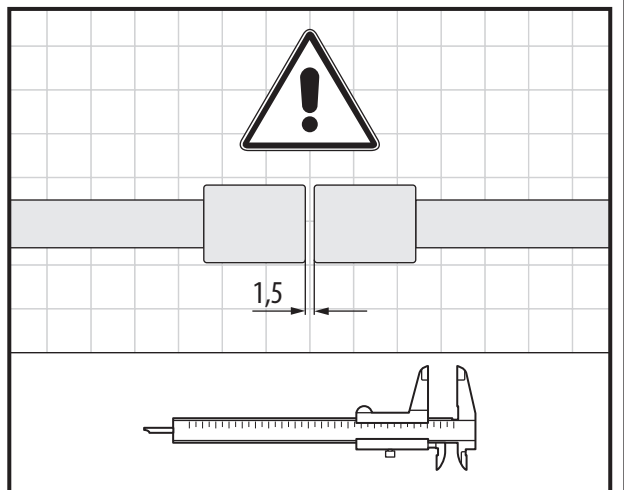
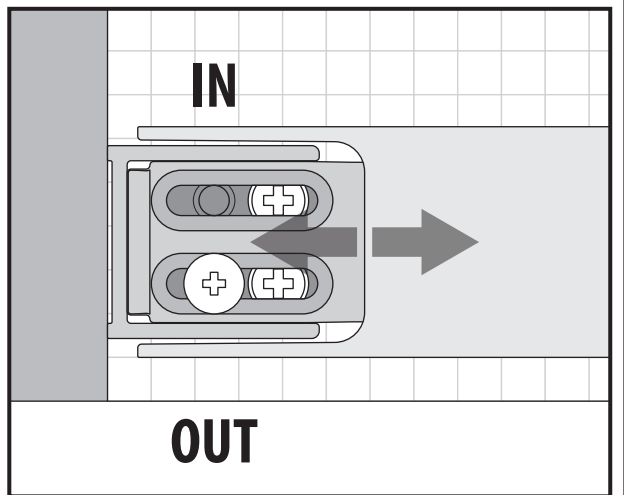
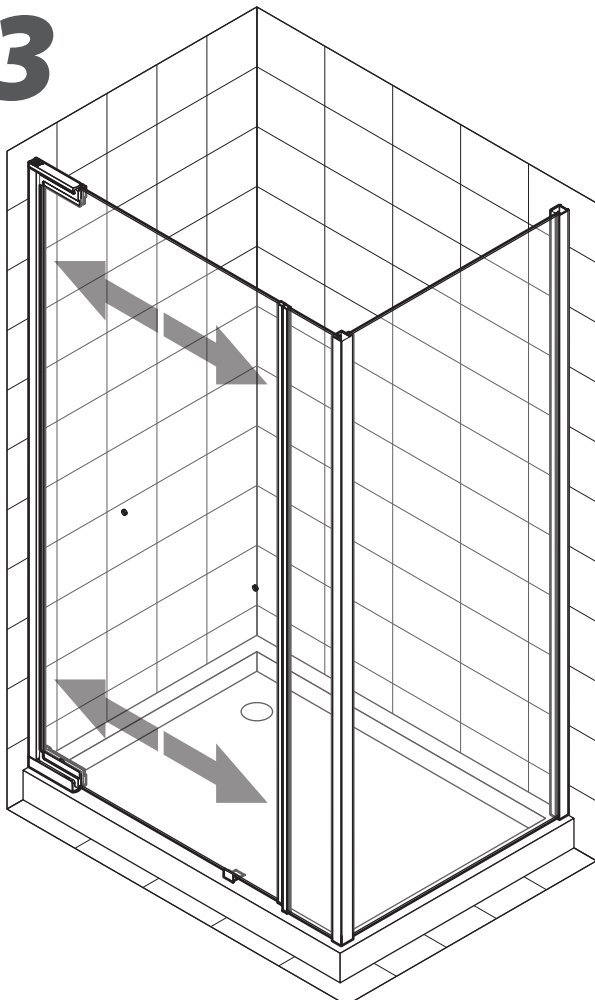
# 12



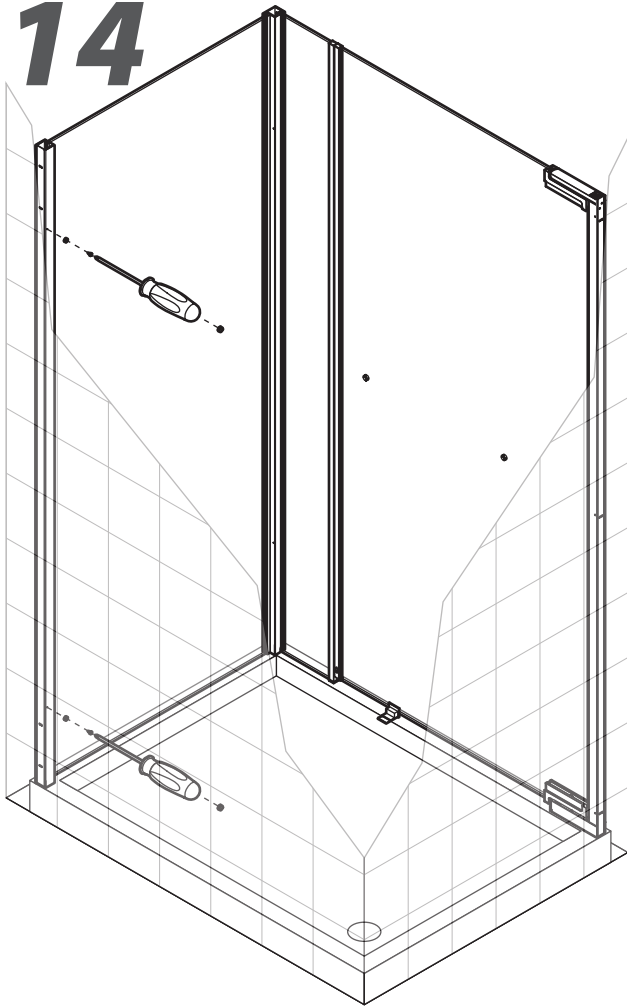
M4x10 x1



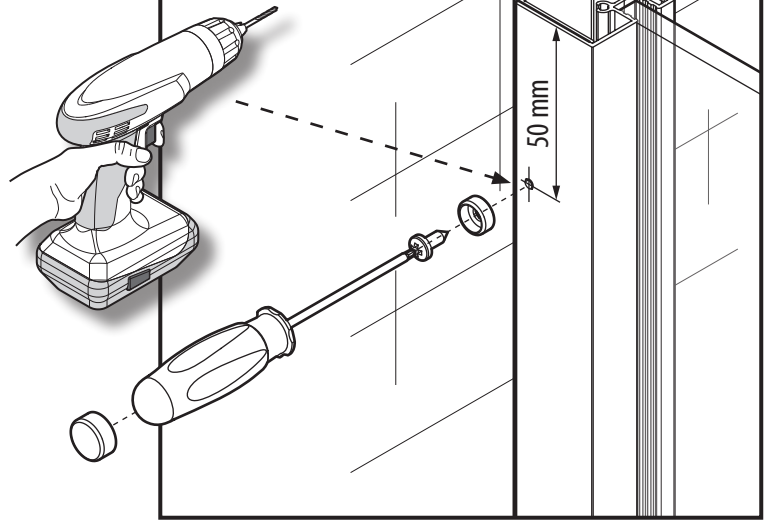
# 13



# 14



x2



ø3 mm



3,5x9,5 x2

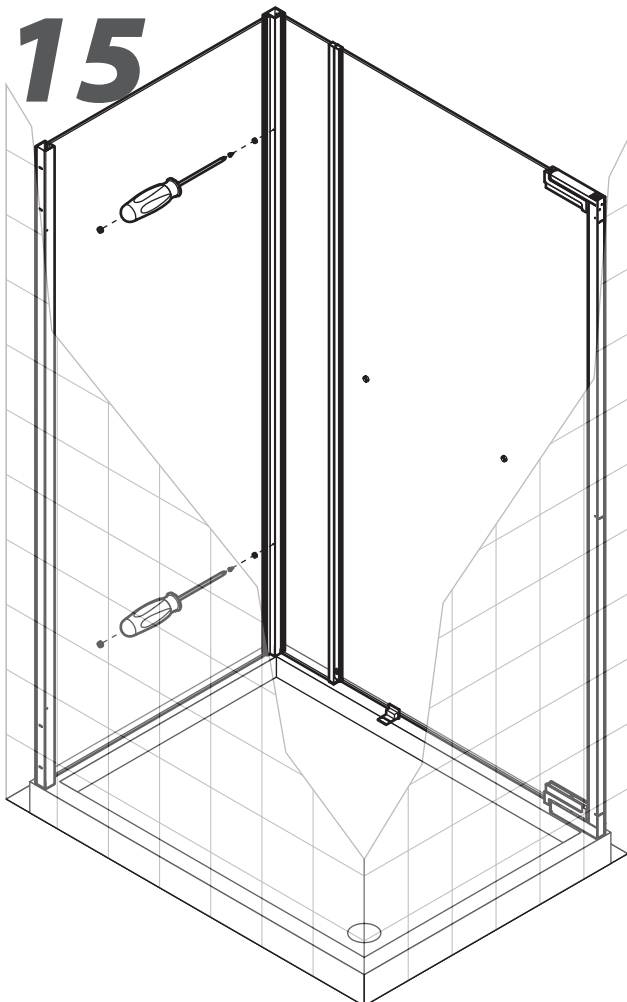


x2

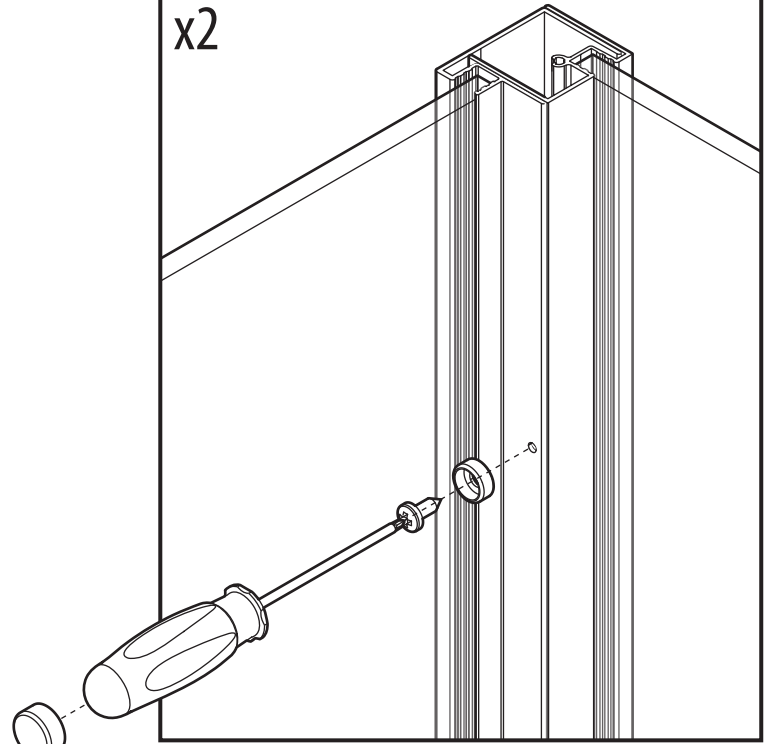


x2

# 15



x2



ø3 mm



3,5x9,5 x2



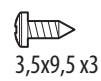
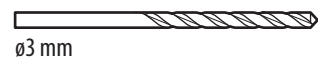
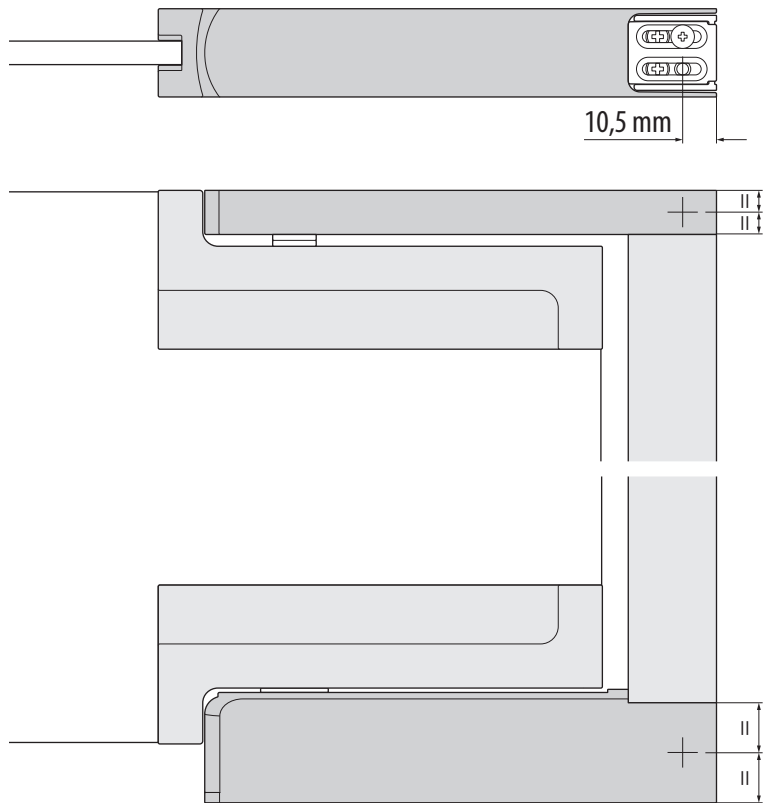
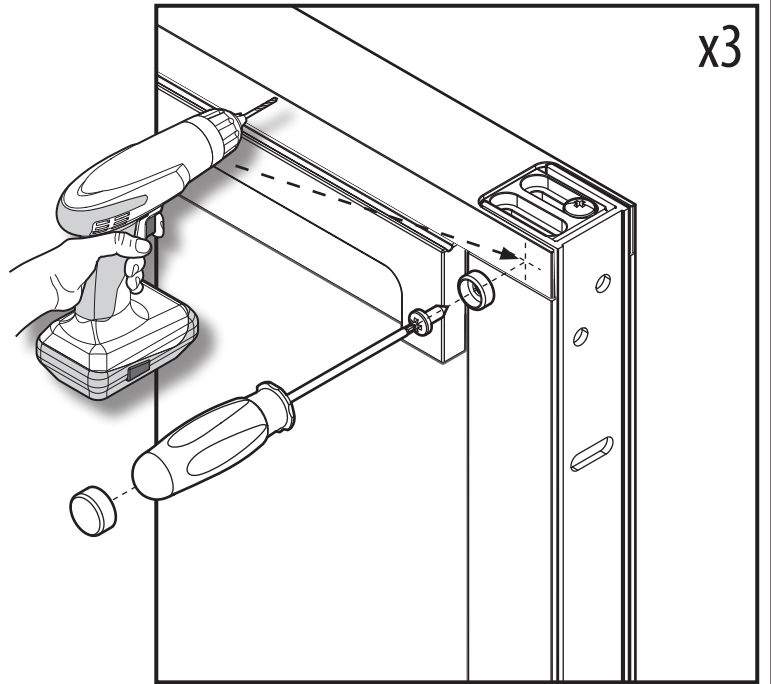
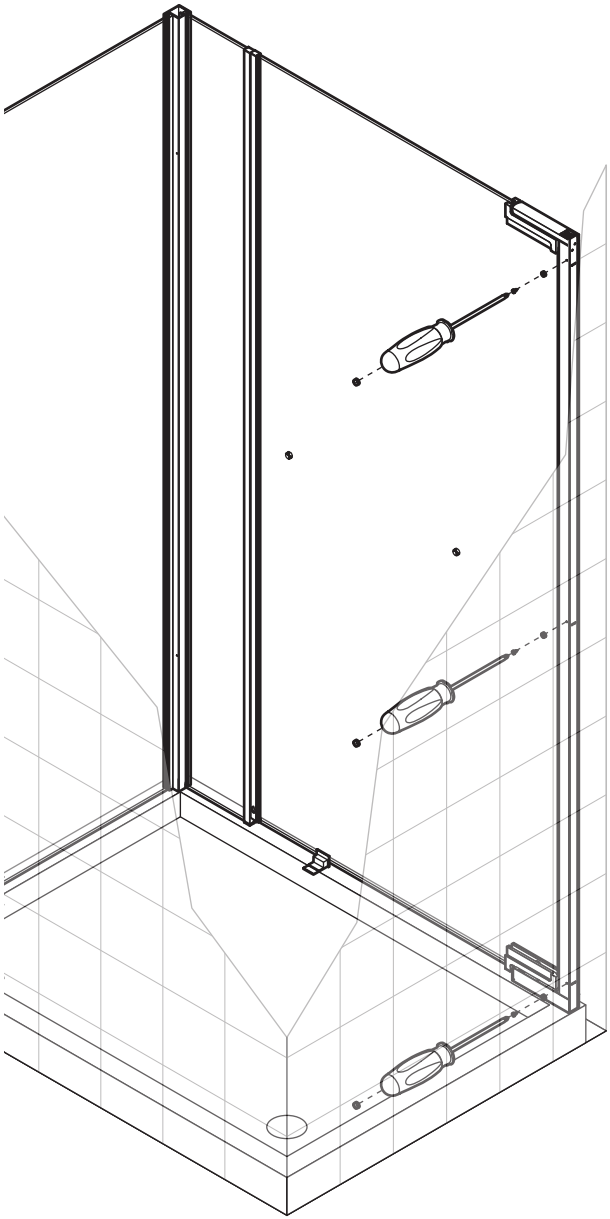
x2



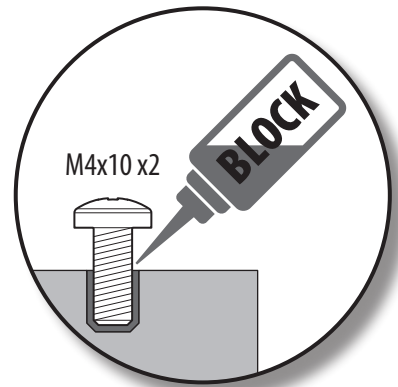
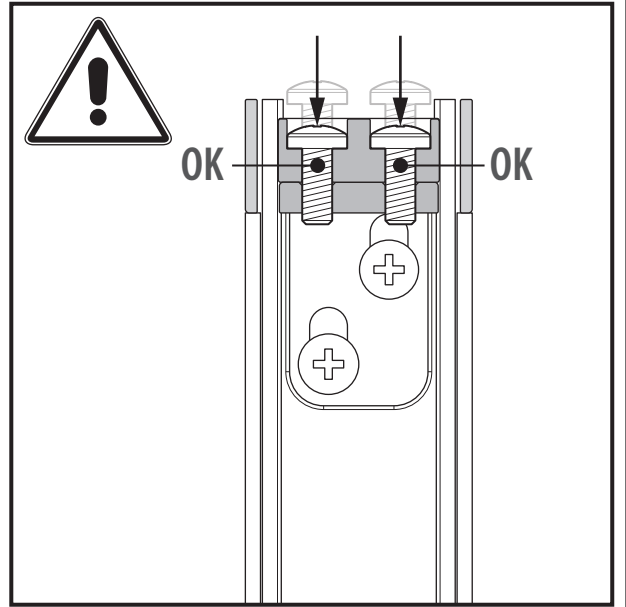
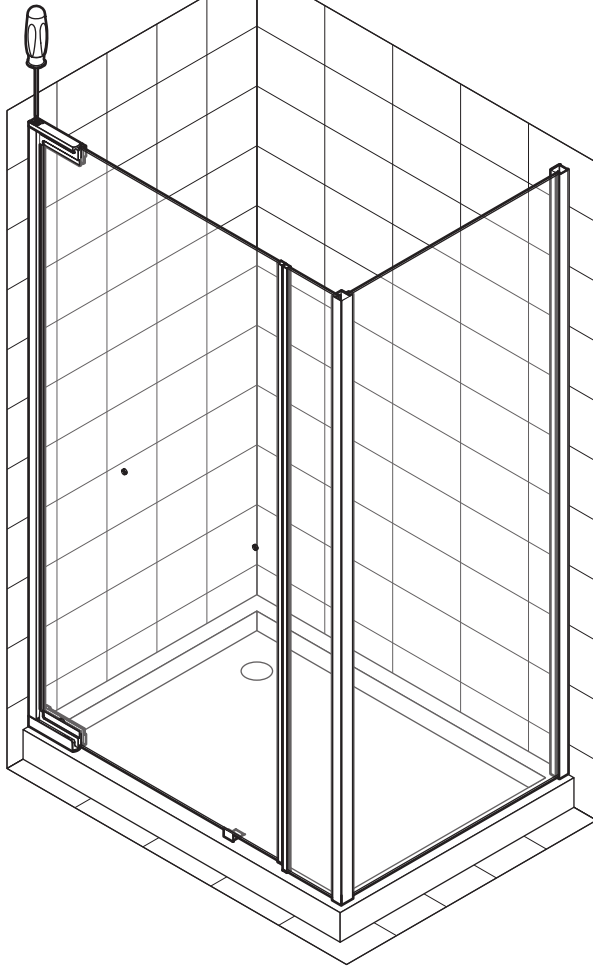
x2



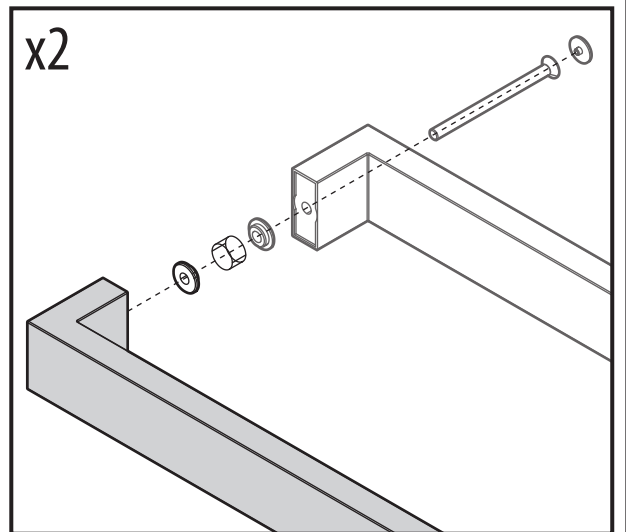
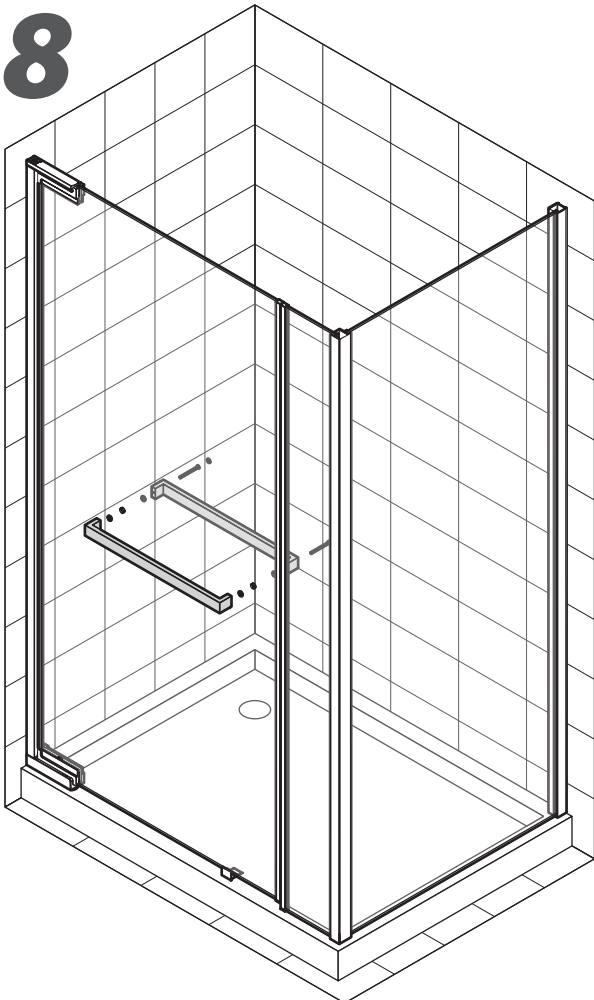
# 16



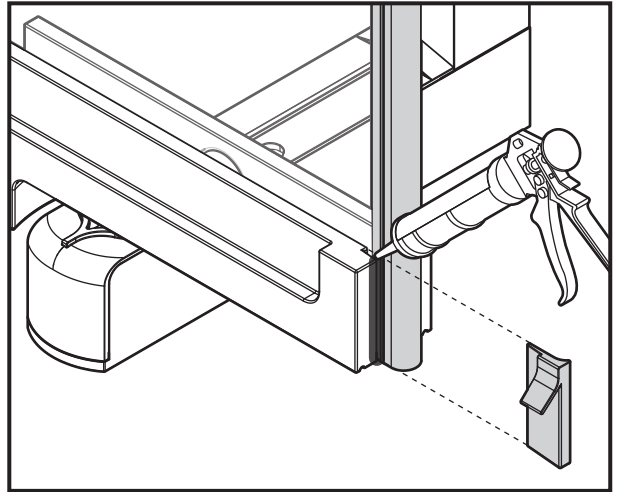
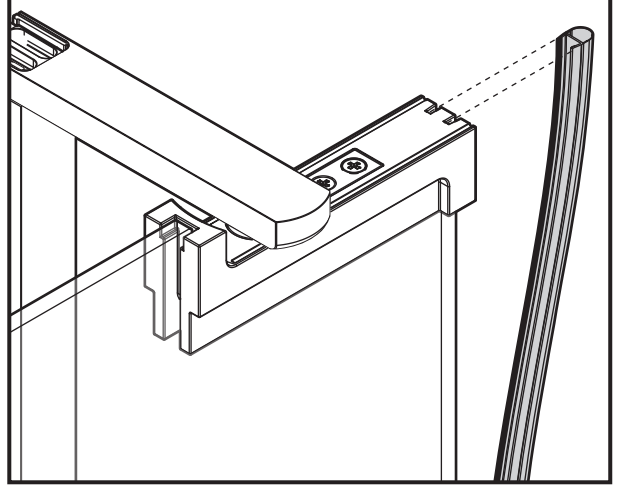
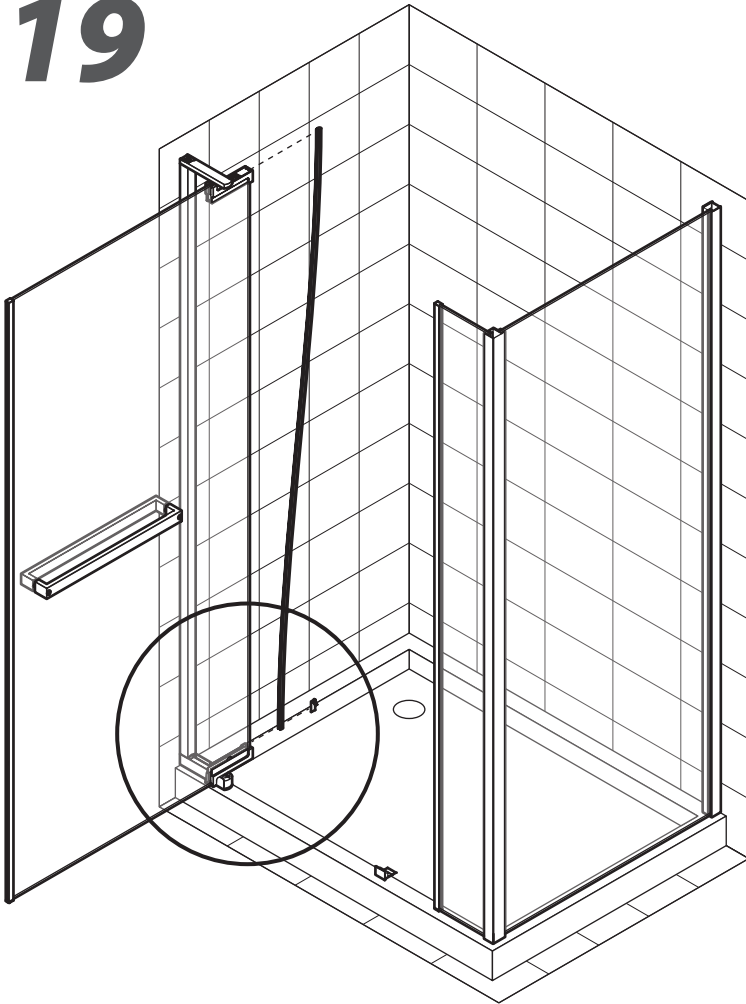
# 17



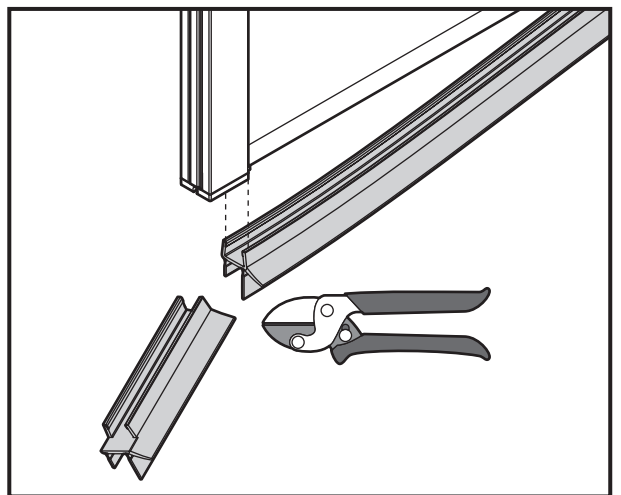
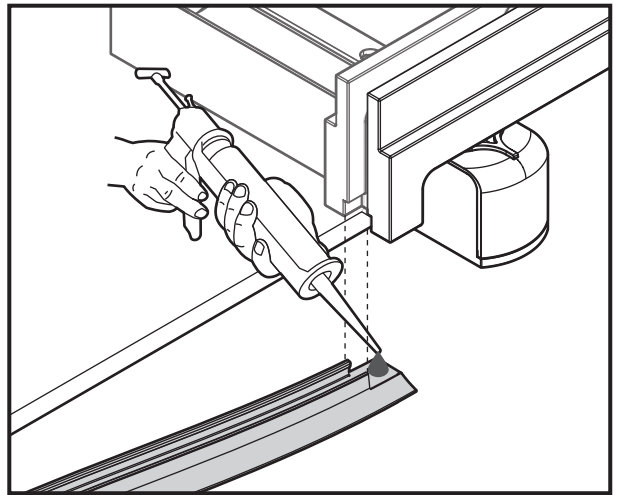
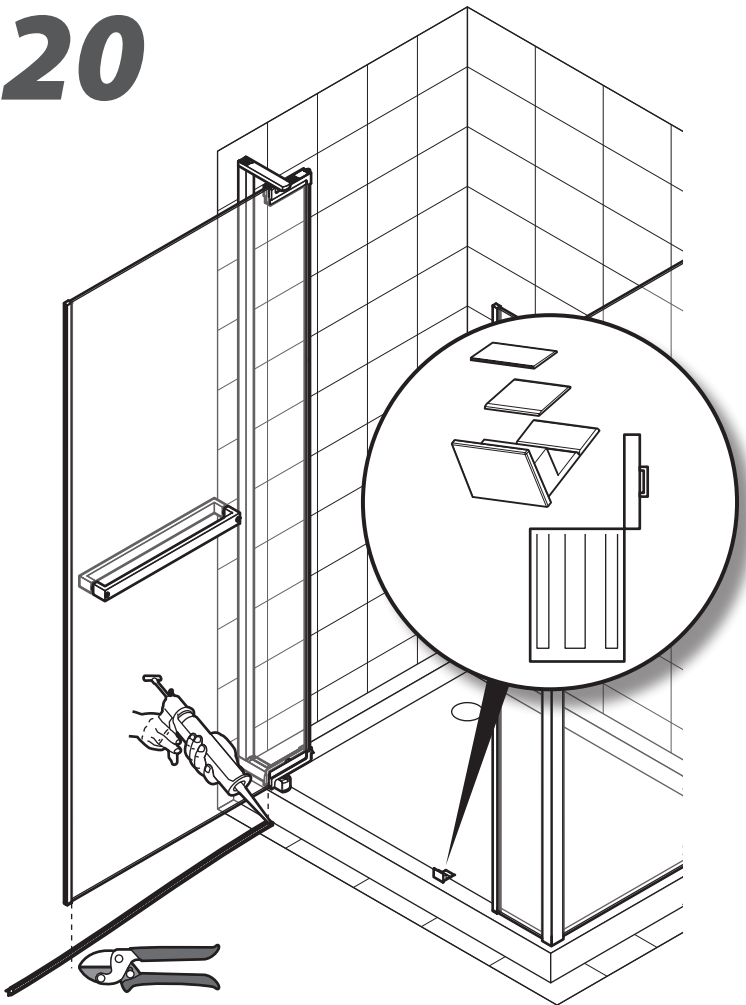
# 18



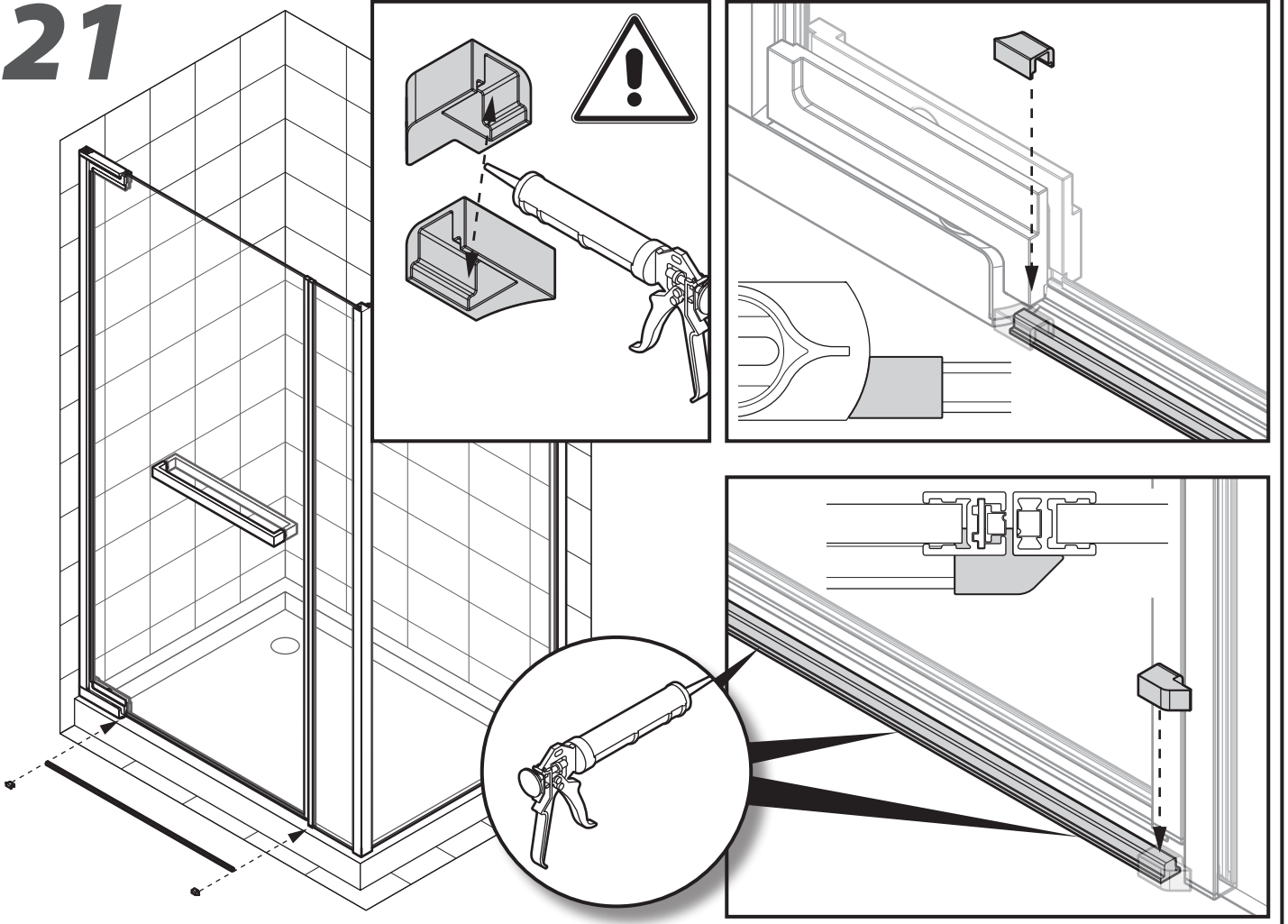
# 19



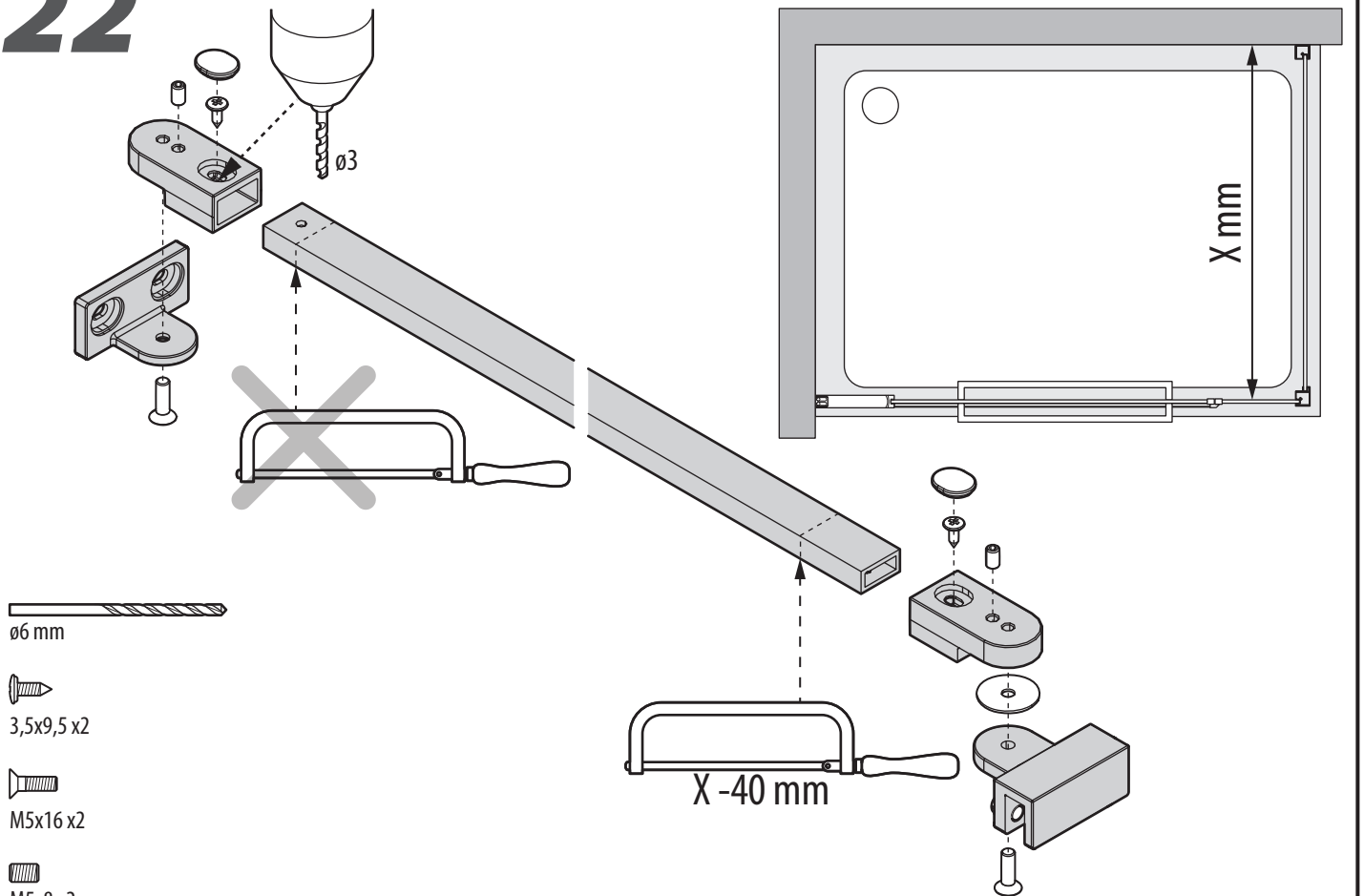
# 20



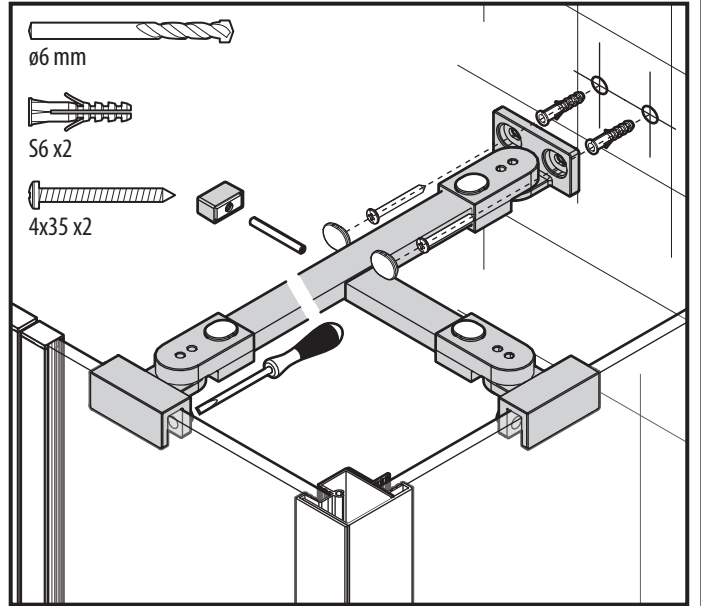
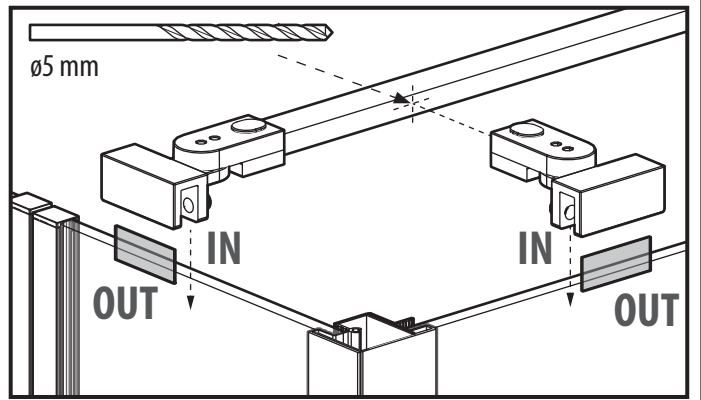
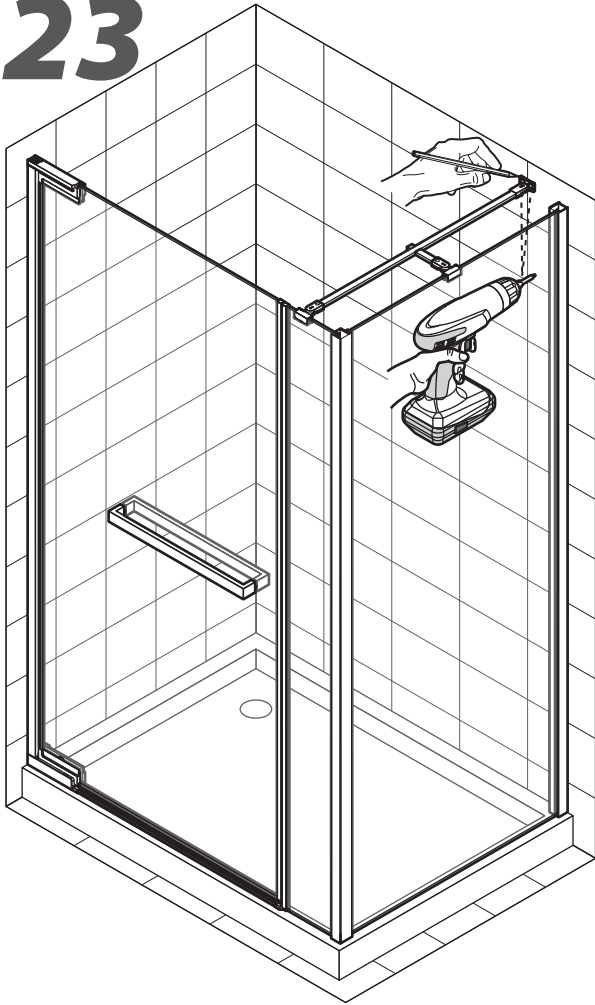
# 21



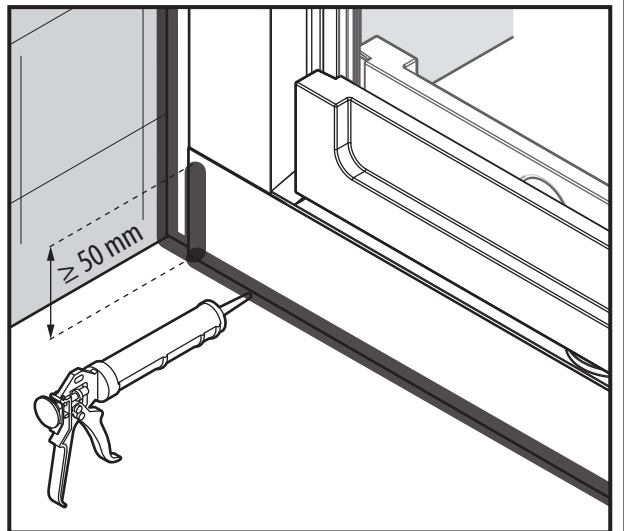
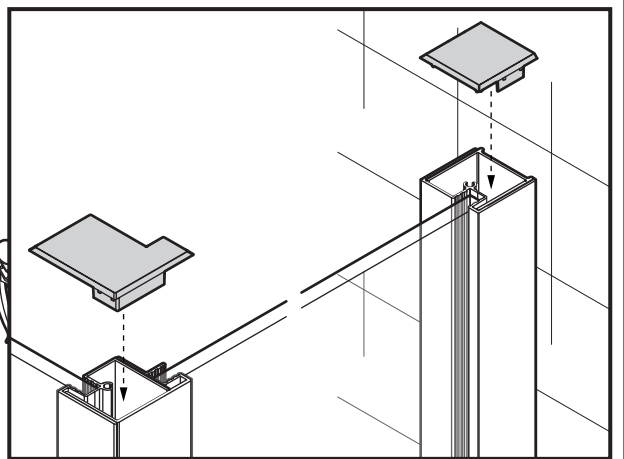
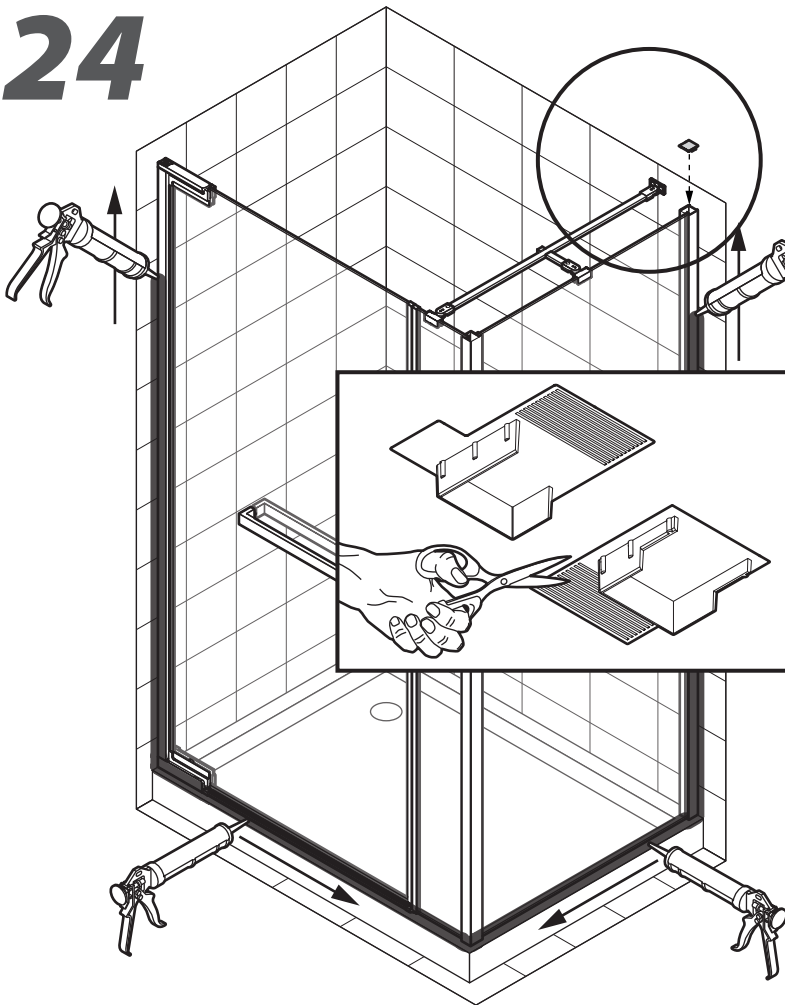
# 22



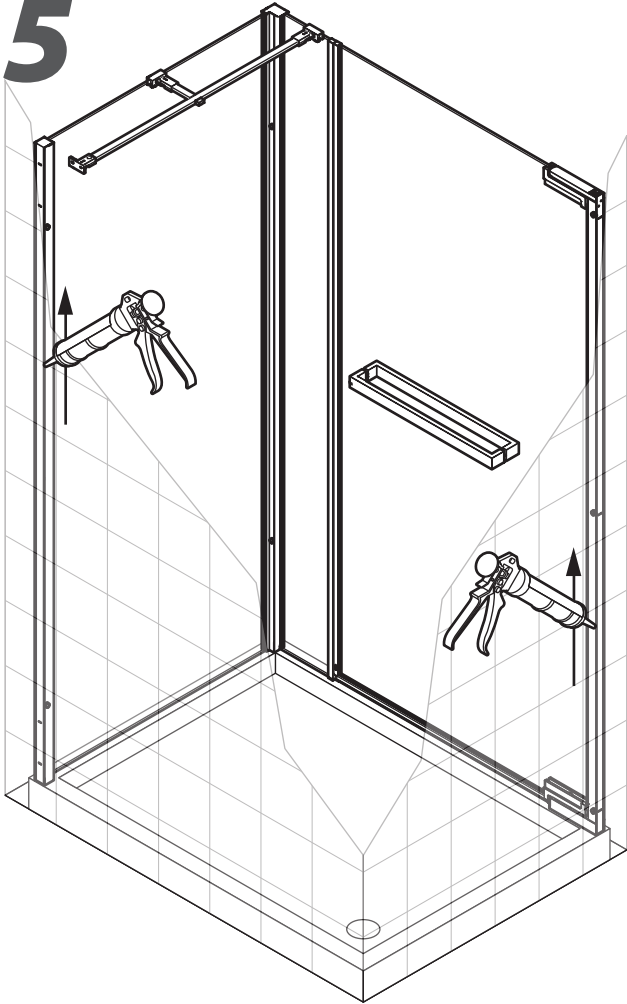
# 23



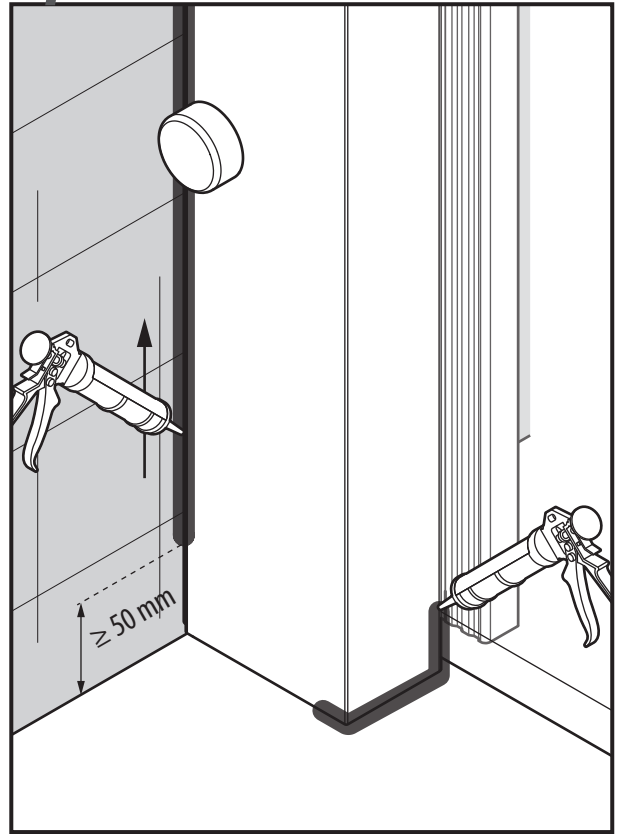
# 24



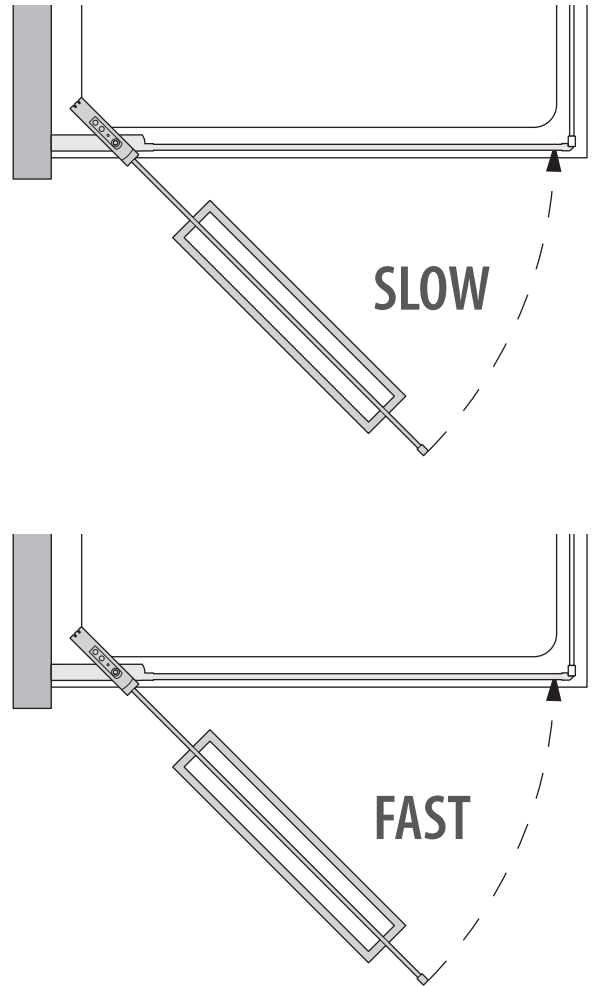
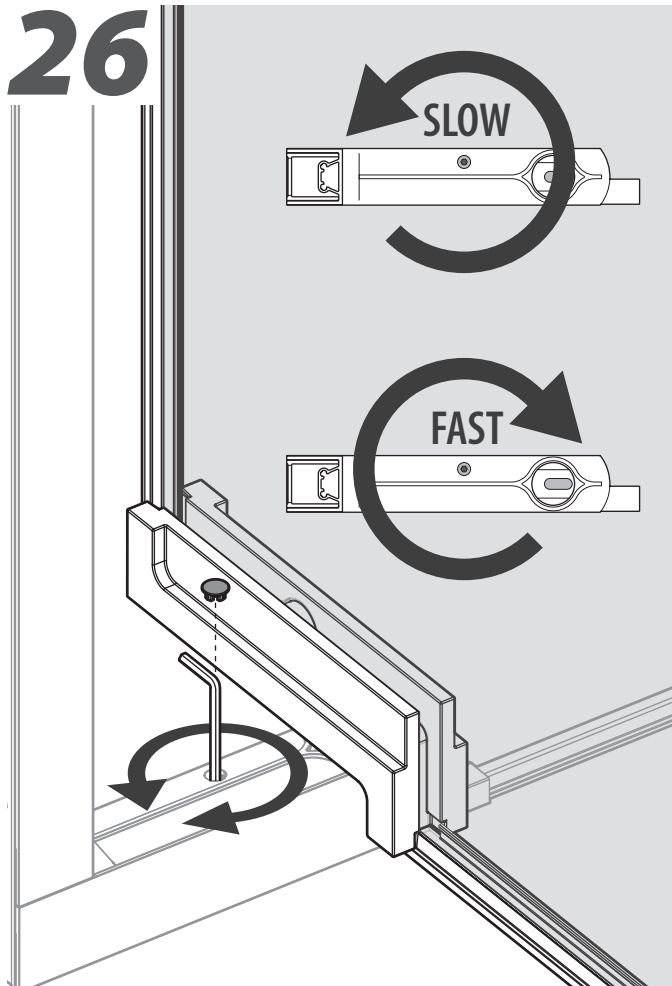
# 25



# Optional



# 26



*Note:*

