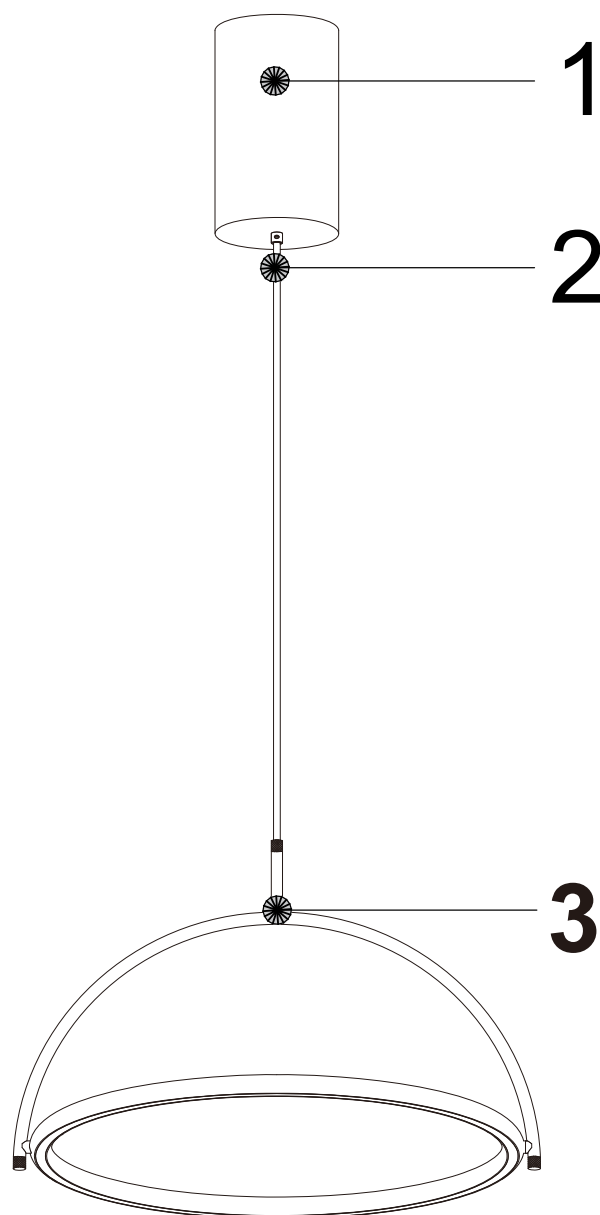


INSTRUCTION MANUAL

Model: Tilt Ø60

halo
design

COPENHAGEN



230V LED 30W



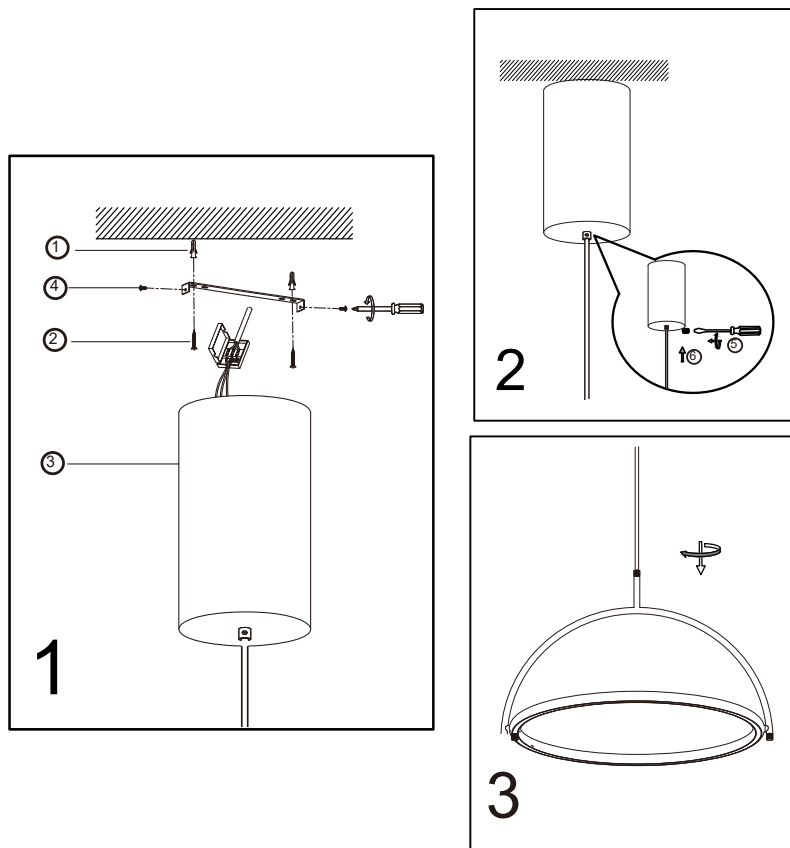
This lamp is delivered with integrated 30W LED, that has a 3 step dimming system with memory.

Step 1: 100% 1414 Lumen

Step 2: 50% 730 Lumen

Step 3: 25 % 132 Lumen

The driver will remember the last setting if you leave the light on the same setting for 10 seconds. Then next time you turn on the light, the same light setting will start.



INSTRUCTION MANUAL

1. Follow the instruction sketch
Følg instruktionen på tegningen
2. Make sure power is OFF on the outlet, before beginning the installation
Sikr dig at strømmen er slukket, inden du påbegynder installationen
3. Go through point 1 to 2 before connecting the lamp to the power
Gennemgå punkt 1 og 2, inden du tilslutter lampen