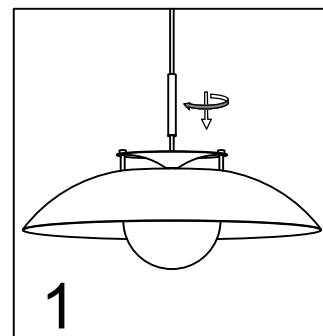
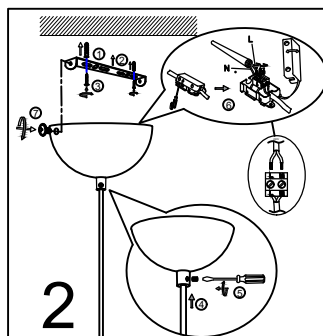
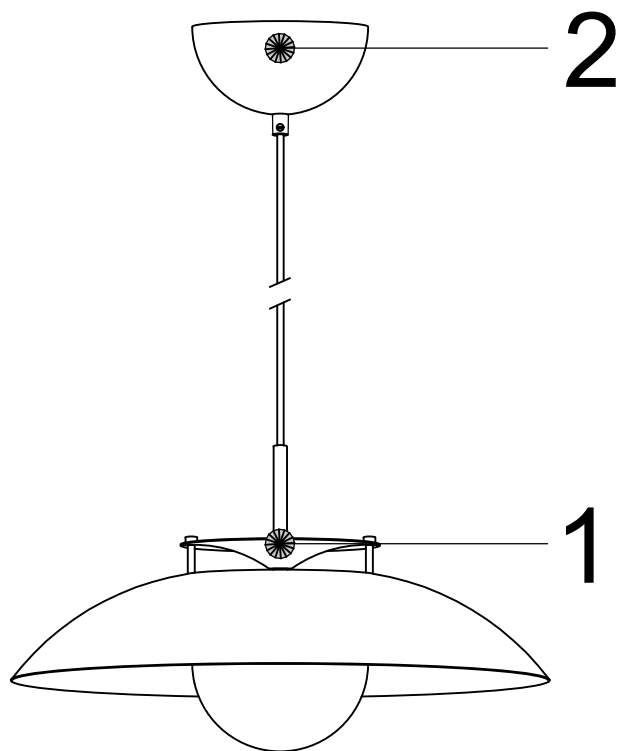


INSTRUCTION MANUAL

Model: STEPP Ø46

halo
design

COPENHAGEN



INSTRUCTION MANUAL

1. Follow the instruction sketch
Følg instruktionen på tegningen
2. Make sure power is OFF on the outlet, before beginning the installation
Sikr dig at strømmen er slukket, inden du påbegynder installationen
3. Insert the light bulb
Isæt lyskilden
4. Go through point 1 to 2 before connecting the lamp to the power
Gennemgå punkt 1 og 2, inden du tilslutter lampen til strømudtaget

230V. LED 24W



This lamp is delivered with integrated 24W LED, that has a 3 step dimming system with memory.

Step 1: 100% 2389 Lumen

Step 2: 50% 1323 Lumen

Step 3: 10 % 345 Lumen

The driver will remember the last setting if you leave the light on the same setting for 10 seconds. Then next time you turn on the light, the same light setting will start.

The lamp comes with replaceable LEDs, easy to re-install.

Lamp is also available with dimmable driver upon request.

Design and import by Halo Design, Gammelgårdsvej 85, DK-3520 Farum