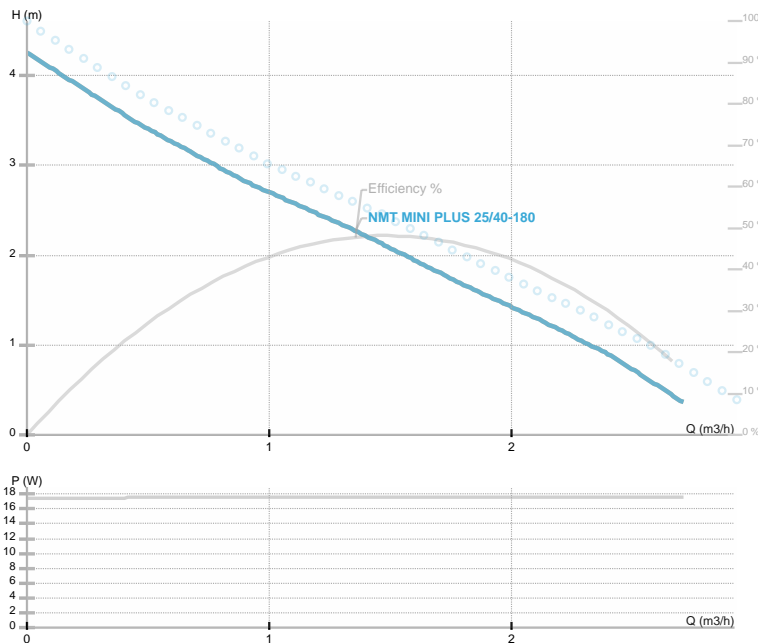




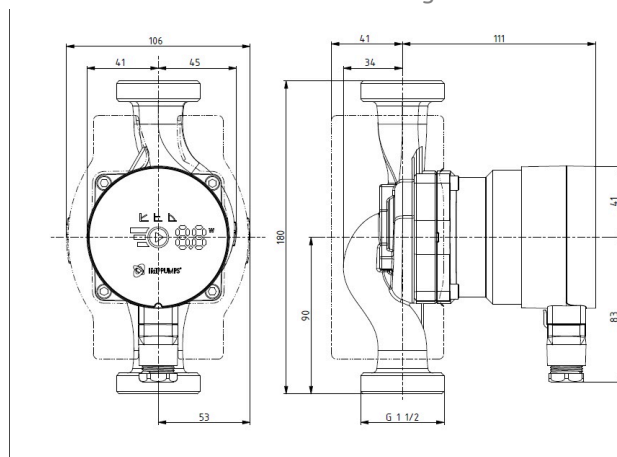
## NMT MINI PLUS 25/40-180

### NMT MINI



Part number	<b>979525916</b>
Power supply	<b>1~230 V</b>
Declared protection	<b>IP44</b>
Q max	<b>3.0 [m³/h]</b>
H max	<b>4.0 [m]</b>
RPM	<b>3900 [1/min]</b>
Motor power	<b>20 [w]</b>
Declared current	<b>0.2 [A]</b>
Fluid	<b>Water VDI 2035, glycol 40%</b>
Fluid temperature	<b>-10.0 ÷ 110.0 [°C]</b>
Insulation class	<b>F</b>
DN	<b>25 [mm]</b>
Connector	<b>G 1 ½</b>
Net weight	<b>1.73 [kg]</b>
Length	<b>180 [mm]</b>
Approvals	
EEL	<b>0.13</b>
Efficiency	<b>47.9 [%]</b>
Impeller material	<b>Noryl Fe 1630PW</b>
Bearing material	<b>all carbon</b>
Shaft material	<b>AISI 420</b>
Hydraulics material	<b>Gray cast iron</b>
Mains frequency	<b>50/60 Hz</b>
Connection	<b>G 1 ½</b>
Max pressure	<b>1.0 MPa</b>
Ambient temp.range	<b>40 deg C</b>

Dimension drawing



Electrical wiring