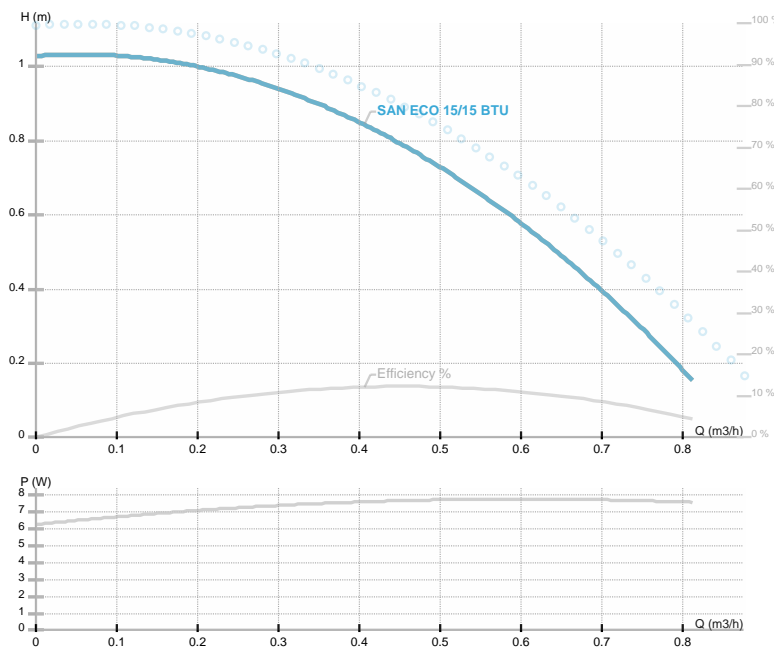




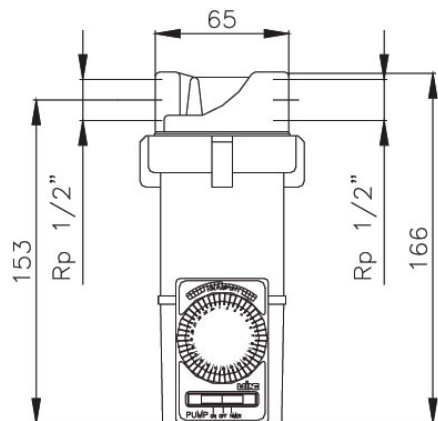
SAN ECO 15/15 BTU

SAN / Three speeds threaded pumps for circulation of sanitary water



Part number	979523232
Power supply	1~230 V
Declared protection	IP42
Q max	0.9 [m³/h]
H max	1.1 [m]
RPM	[1/min]
Motor power	10 [w]
Declared current	0.11 [A]
Fluid	
Fluid temperature	5.0 ÷ 95.0 [°C]
Insulation class	F
DN	15 [mm]
Connector	DN 15
Net weight	0.80 [kg]
Length	65 [mm]
Approvals	CE
EEL	
Efficiency	[%]
Impeller material	
Bearing material	
Shaft material	
Hydraulics material	
Mains frequency	50 Hz
Connection	DN 15
Max pressure	1.0 MPa
Ambient temp.range	0 deg C

Dimension drawing



Electrical wiring

