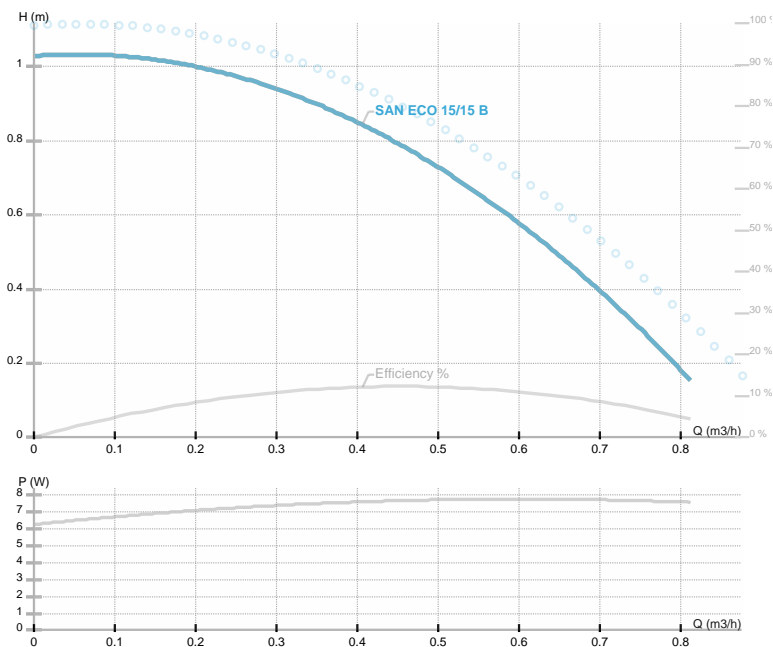




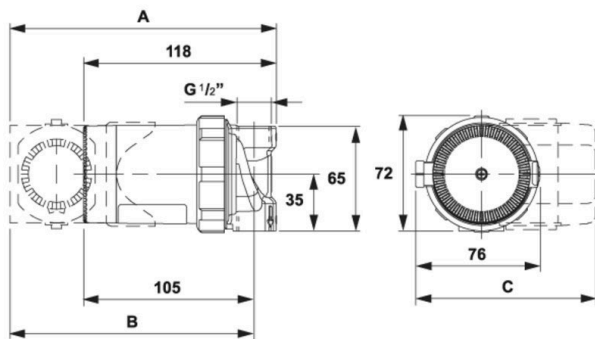
SAN ECO 15/15 B

SAN / Three speeds threaded pumps for circulation of sanitary water



| | |
|---------------------|------------------------|
| Part number | 979523230 |
| Power supply | 1~230 V |
| Declared protection | IP42 |
| Q max | 0.9 [m³/h] |
| H max | 1.1 [m] |
| RPM | [1/min] |
| Motor power | 10 [w] |
| Declared current | 0.11 [A] |
| Fluid | |
| Fluid temperature | 5.0 ÷ 95.0 [°C] |
| Insulation class | F |
| DN | 15 [mm] |
| Connector | DN 15 |
| Net weight | 0.85 [kg] |
| Length | 65 [mm] |
| Approvals | CE |
| EEL | |
| Efficiency | [%] |
| Impeller material | |
| Bearing material | |
| Shaft material | |
| Hydraulics material | |
| Mains frequency | 50 Hz |
| Connection | DN 15 |
| Max pressure | 1.0 MPa |
| Ambient temp.range | 0 deg C |

Dimension drawing



Electrical wiring

