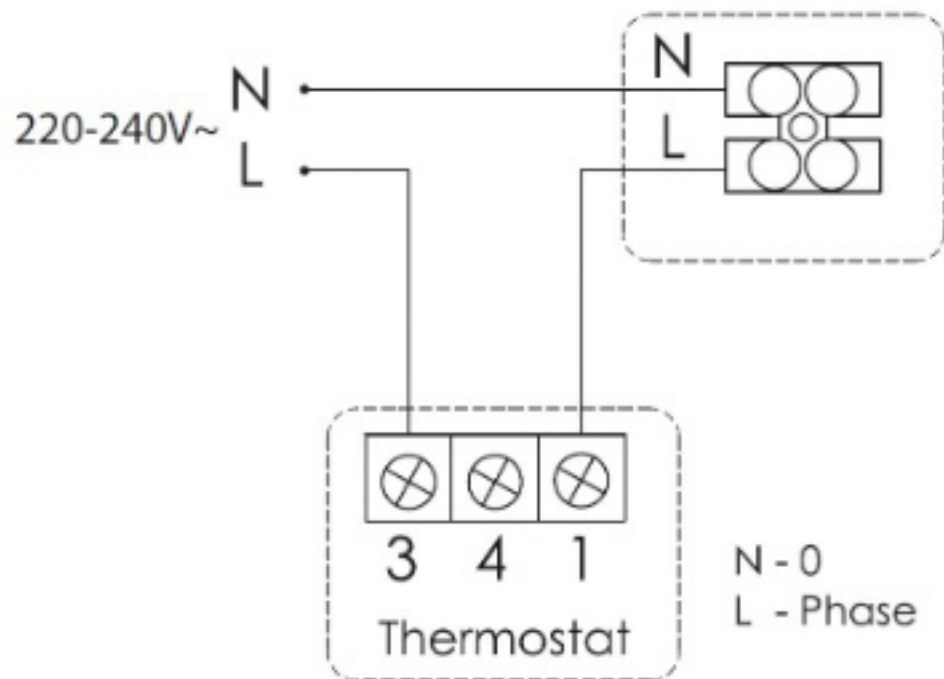


2.



2. The switch is on, if indoor temperature is equal to or lower than temperature set on the thermostat.