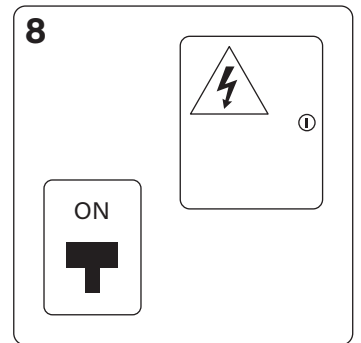


ECOtech Batten 600 mm



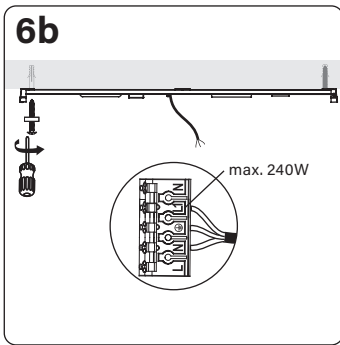
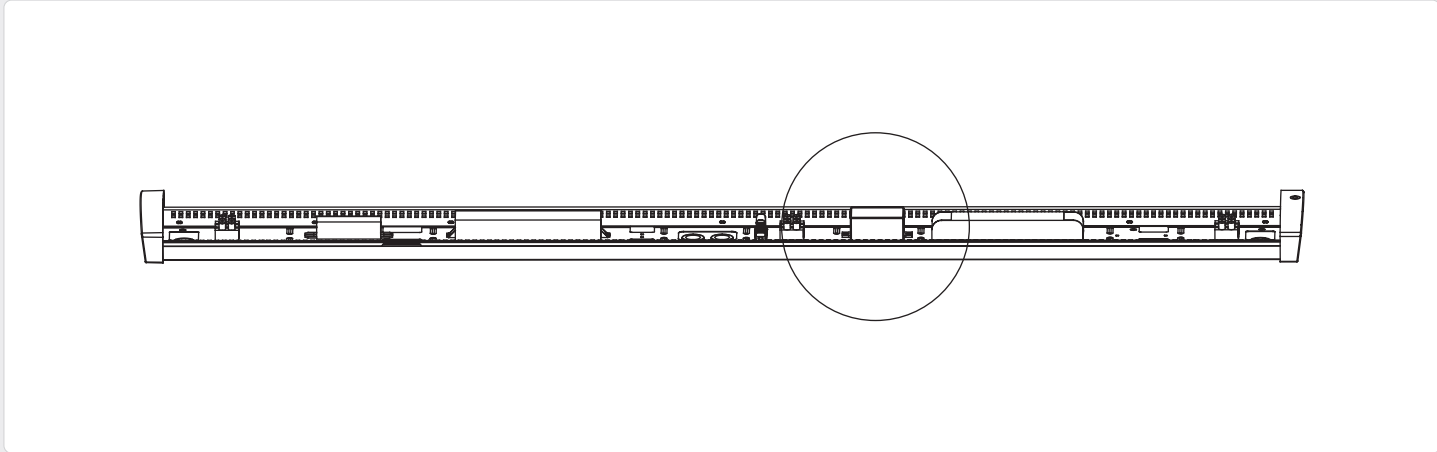
ECOtech Batten 1200 mm



This product contains a light source in energy efficiency class **D**

Find the updated manual on our website - nordtronic.com
With reservation for typing errors

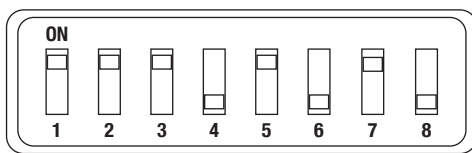
ECOtech Batten IP44 Sensor



Factory settings		
Detection area	Hold time	Daylight sensor
100%	1 min	25 Lux

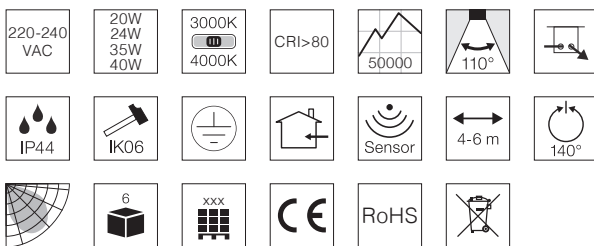
Detection area		
1	2	
ON	ON	100%
ON	-	75%
-	ON	50%
-	-	25%

Adjust the sensor combinations by using the DIP Switches as indicated below



Hold time			
3	4	5	
ON	ON	ON	55
ON	ON	-	30 s
ON	-	ON	1 min
ON	-	-	3 min
-	ON	ON	5 min
-	ON	-	10 min
-	-	ON	20 min
-	-	-	30 min

Daylight sensor			
6	7	8	
ON	ON	ON	2 Lux
ON	ON	-	10 Lux
-	ON	-	25 Lux
ON	-	-	50 Lux
-	-	-	Disable



Find the updated manual on our website - nordtronic.com
With reservation for typing errors