

Safety Information

Electrical equipment should be installed, operated, serviced, and maintained only by qualified personnel. No responsibility is assumed by Schneider Electric for any consequences arising out of the use of this material.

A qualified person is one who has skills and knowledge related to the construction, installation, and operation of electrical equipment and has received safety training to recognize and avoid the hazards involved.



Esmi Impresia Standard Base

Esmi Impresia Standard Base is a standard base for addressable detectors. The base has a low-profile design and a robust contact system. It is possible to remove a locking tab on the base to make it more difficult to remove the detector/sounder from the base.

For more technical information visit www.se.com.

⚠ WARNING

COMPROMISED FUNCTIONALITY

Make sure that the setup where the device is installed meets the device specifications.

Failure to follow these instructions can result in death, serious injury, or equipment damage.

Part Numbers and Designations

Product	Color	Designation	Part number
Esmi Impresia Standard Base	White	Not applicable	FFS06741018
	Black	EIB-2200	FFS06742018

Part numbers and designations for related products

Product	Color	Designation	Part number
Esmi Impresia Heat Detector	White	Not applicable	FFS06741002
	Black	EIB-1200	FFS06742002
Esmi Impresia Multicriteria Detector	White	Not applicable	FFS06741003
	Black	EIB-1300	FFS06742003
Esmi Impresia Smoke Detector	White	Not applicable	FFS06741001
Esmi Impresia Red Wall Mounted Sounder	White	Not applicable	FFS06741011
Esmi Impresia Red Wall Mounted Sounder VAD	White	Not applicable	FFS06741012
Esmi Impresia White Wall Mounted Sounder	White	Not applicable	FFS06741014
Esmi Impresia White Wall Mounted Sounder VAD	White	Not applicable	FFS06741015
Esmi Impresia Base Base Sounder/Esmi Impresia Sounder	White	Not applicable	FFS06741030
	Black	EIB-6200	FFS06742030
Esmi Impresia Base Base Sounder Beacon	White	Not applicable	FFS06741031
Esmi Impresia Surface Mounting Kit	White	Not applicable	FFS06741024
	Red	Not applicable	FFS06741025

Compatibility

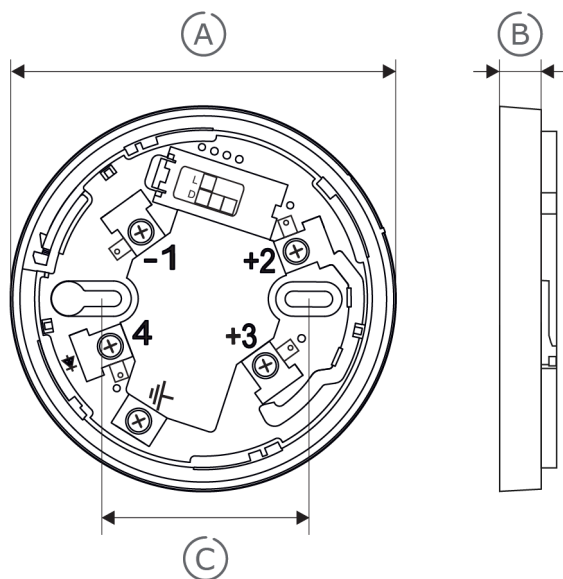
The Esmi Impresia Standard Base is compatible with the following devices:

- Esmi Impresia Heat Detector
- Esmi Impresia Smoke Detector
- Esmi Impresia Multicriteria Detector
- Esmi Impresia Red Wall Mounted Sounder
- Esmi Impresia Red Wall Mounted Sounder VAD
- Esmi Impresia White Wall Mounted Sounder
- Esmi Impresia White Wall Mounted Sounder VAD
- Esmi Impresia Base Base Sounder
- Esmi Impresia Base Base Sounder Beacon

Technical Specifications

Wire size for terminals	0.5 mm ² to 2.5 mm ²
Operating temperature	-10 °C to +60 °C
Maximum relative humidity	(93 ± 3)% at 40 °C
Weight.....	approx. 40 g
Material (plastic)	ABS
Supported communication protocol	ELC
Color	White: RAL 9016
.....	Black: RAL 9005

Dimensions



- A. 103 mm
- B. 11 mm
- C. 55 mm ±5 mm

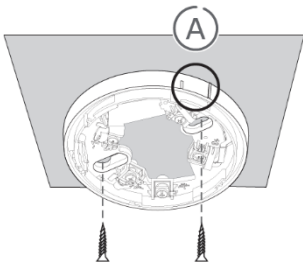
Mounting

NOTICE

INSUFFICIENT STRENGTH OF MATERIALS

- Make sure that the weight-bearing load capacity of the mounting surface is sufficient.
- Use suitable mounting hardware and a suitable anchoring system as per the surface manufacturer's specification.

Failure to follow these instructions can result in equipment damage.



A. Alignment lines

Connection Diagram

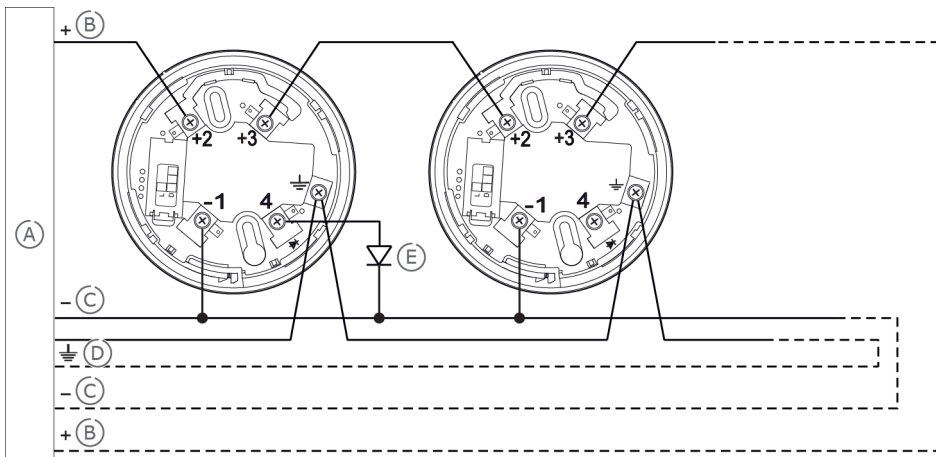
NOTICE

SHORT CIRCUIT AND ELECTROSTATIC DISCHARGE

- Remove all power from the fire detection panel before you measure, connect, or disconnect wires.
- First disconnect the battery, then the main power supply.

Failure to follow these instructions can result in equipment damage.

IMPORTANT: Do not connect the earth terminal on Standard Bases to the loop.



- A. Fire detection panel
- B. Positive loop wire
- C. Negative loop wire
- D. Earth
- E. Remote indicator

Sticker



- L. Loop number
- D. Address

Accessories

Esmi Impresia Surface Mounting Kit