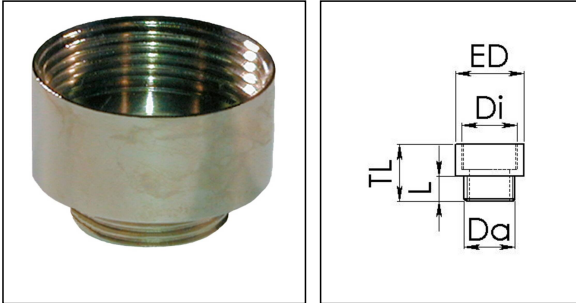


## MEM 50/63

Enlargement adaptor, brass nickel-plated, M50/M63



Products may differ in size, colour and appearance to those shown. If you require further information or customisation, please contact us directly.



<b>Material</b>	Brass nickel-plated
<b>Temp. range min</b>	-200 °C
<b>Temp. range max</b>	250 °C
<b>Thread type outer</b>	M
<b>Ø outer thread</b>	50
<b>Lead outer</b>	1,5
<b>Length screw-in thread L</b>	9 mm
<b>Thread type inner</b>	M
<b>Ø inner thread</b>	63
<b>Lead inner</b>	1,5
<b>Length internal thread</b>	20 mm
<b>External diameter ED</b>	60 mm
<b>Total length TL</b>	31 mm
<b>Surface</b>	Nickel-plated
<b>Order no. nickel-plated</b>	10063959
<b>Type</b>	MEM 50/63
<b>Packing unit</b>	10
<b>EAN number</b>	4007685639590
<b>Tariff number</b>	74198090
<b>ETIM-Classification</b>	EC000938

### Recommended accessories

<b>EMMU 50</b>	10063147
----------------	----------

Your Contact:

**WISKA Hoppmann GmbH**

Kisdorfer Weg 28 · 24568 Kaltenkirchen · Germany

☎ +49-4191-508-0 · 📠 +49-4191-508-209

contact@wiska.de · www.wiska.com

17.02.2026

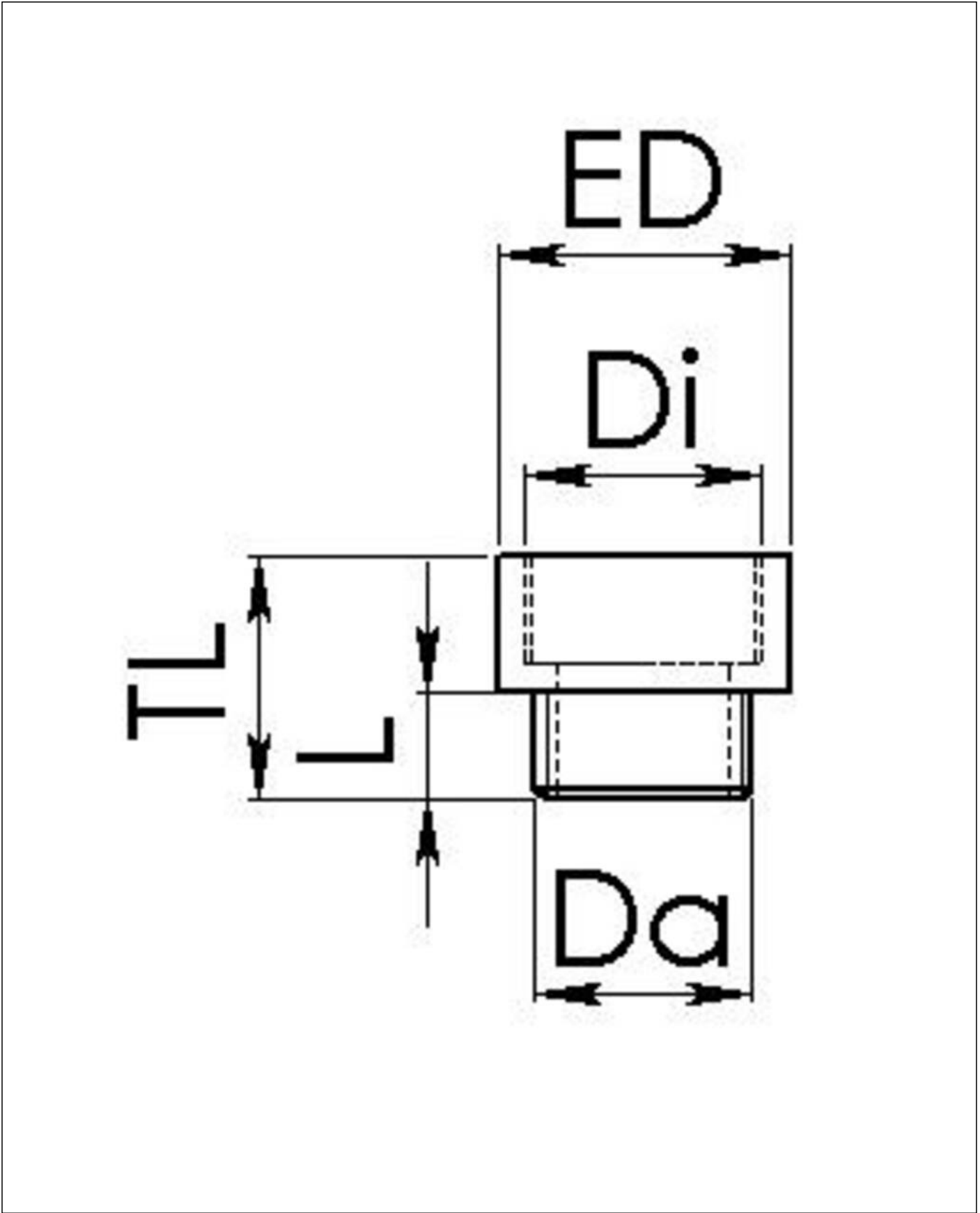
Your Contact:

**WISKA Hoppmann GmbH**

Kisdorfer Weg 28 · 24568 Kaltenkirchen · Germany

 +49-4191-508-0 ·  +49-4191-508-209

[contact@wiska.de](mailto:contact@wiska.de) · [www.wiska.com](http://www.wiska.com)



Your Contact:

**WISKA Hoppmann GmbH**

Kisdorfer Weg 28 · 24568 Kaltenkirchen · Germany

☎ +49-4191-508-0 · 📠 +49-4191-508-209

contact@wiska.de · www.wiska.com