

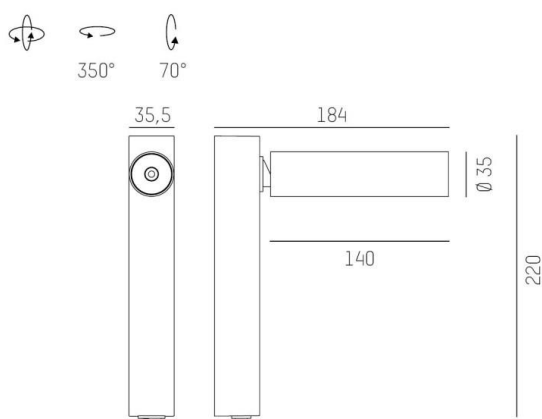
TRIGGA

662-013020229660v1

TRIGGA W WALL / CEILING LUMINAIRE made of aluminium, black, similar to RAL 9005, anti-glare LFO lens due to microfaceted structure beam 30°, light output direct, UGR <16, swiveling 350°, tilting 70°, with converter, max. 350mA, dimmability: not dimmable, IP20 incl. on-off switch,



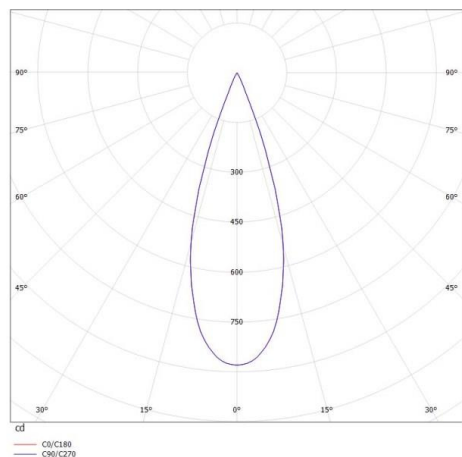
DRAWING



TECHNICAL DETAILS

System perform. [W]	6
Bulb type	LED
Luminous flux [lm]	250
Current sec. [mA]	350
Colour temp. [K]	3000K
CRI	>90
UGR	<16
Optics	LFO lens
Designer	Serge Cornelissen
Converter	with converter
Dimming	not dimmable
Light output	direct
Beam angle [°]	30°
Voltage [V]	220-240V 50/60Hz
Material	aluminium
Length [mm]	35
Width [mm]	35,5
Height [mm]	184
Diameter [mm]	35
IP protection class	IP20
Voltage class	protection cl. II
Net weight [kg]	0,70
Colour lamp	black
RAL	9005
EAN-Number	9010506345933
Lifetime [h]	L80 B10 50 000
Energy efficiency cl.	G
No. of luminaires B16A	27

LIGHT DISTRIBUTION CURVE



energy label



The values are rated values. Power and luminous flux are initially subject to a tolerance of +/- 10%. Colour temperature tolerance: +/- 150 K. The values apply to an ambient temperature of 25°C unless otherwise specified.