

**KONVERTER DIMMBAR KONST. STROM**

**24-151403**

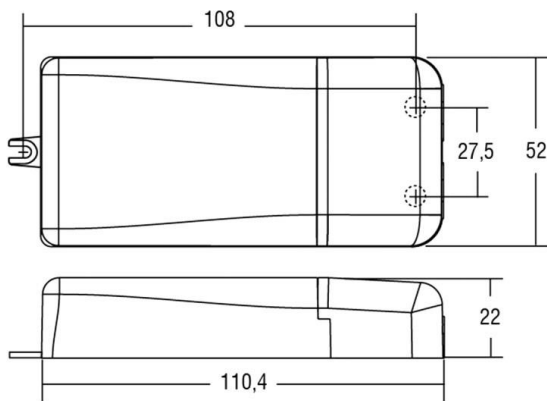
MINI JOLLY DALI 20, DALI dimmable, amplitude dimming (AM), active power factor corrector, protection against overheating and short circuits, mains surges, and overloads, ceiling cutout = 55 mm, adjustable via DIP switch (see B3): (constant current/constant voltage)

L = 111 mm, W = 52 mm, H = 22 mm

220-240 V 50/60 Hz



**DRAWING**



**TECHNICAL DETAILS**

System perform. [W]	12-20
Converter	with converter
Voltage [V]	220-240V 50/60Hz
Material	synthetic
Length [mm]	111
Width [mm]	52
Height [mm]	22
IP protection class	IP20
Voltage class	protection cl. II
Net weight [kg]	0,11
Colour lamp	white
EAN-Number	9008905796128
No. of luminaires B16A	50

**LIGHT DISTRIBUTION CURVE**

Einstellbar mittels DIP-SWITCH:

Konstantstrom

mA	W	V DC	mA	W	V DC
250	12	49	500	20	40
350	17	49	550	20	36
400	19	49	600	20	33
450	20	45	700	20	28



The values are rated values. Power and luminous flux are initially subject to a tolerance of +/- 10%. Colour temperature tolerance: +/- 150 K. The values apply to an ambient temperature of 25°C unless otherwise specified.