

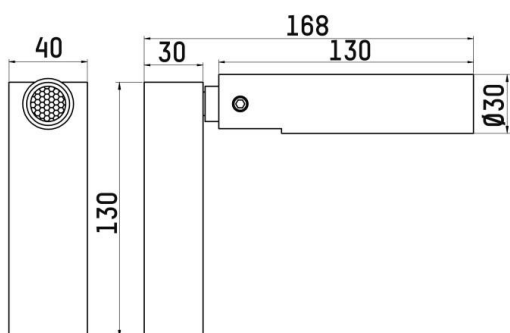
**ANIO**

**222-00198**

ANIO II W SURFACE MOUNTED WALL LUMINAIRE made of aluminium, black, similar to RAL 9005, lens beam 35°, light output direct, swiveling 350, tilting 90, with converter, max. 200mA, dimmability: on/off, adapter/ceiling base black, IP20



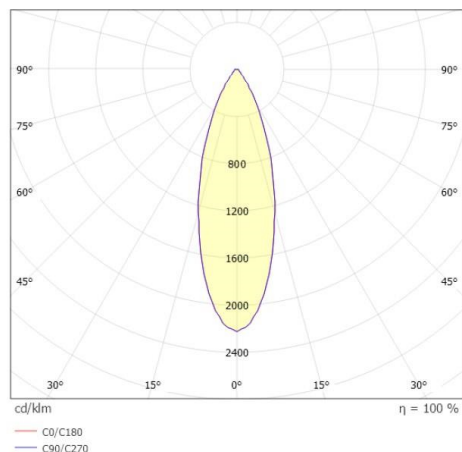
**DRAWING**



**TECHNICAL DETAILS**

System perform. [W]	4,5
Bulb type	LED
Luminous flux [lm]	220/230
Current sec. [mA]	200
Colour temp. [K]	2700/3000K
CRI	>90
Optics	lens
Converter	with converter
Light output	direct
Beam angle [°]	35°
Voltage [V]	220-240V 50/60Hz
Material	aluminium
Length [mm]	63
Width [mm]	40
Height [mm]	130
IP protection class	IP20
Voltage class	protection cl. I
Net weight [kg]	0,40
Colour lamp	black
RAL	9005
Colour adapter/ceiling base	black
EAN-Number	9010870891166
Lifetime [h]	L80 B10 50 000
Energy efficiency cl.	F
No. of luminaires B16A	112

**LIGHT DISTRIBUTION CURVE**



The values are rated values. Power and luminous flux are initially subject to a tolerance of +/- 10%. Colour temperature tolerance: +/- 150 K. The values apply to an ambient temperature of 25°C unless otherwise specified.