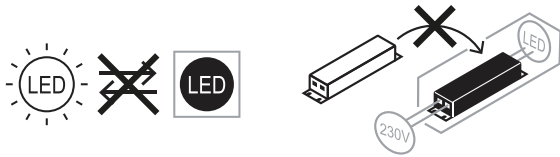


Installation Instructions

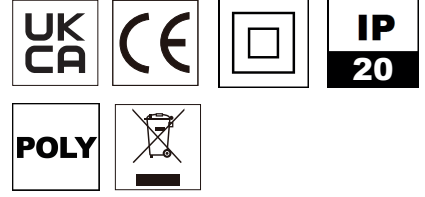
Instrucciones de instalación, Instructions d'installation, Installationsanleitung, إرشادات التركيب,
Installatie-instructies, Instruções de instalação, Installatie-instructies,
設置手順説明, Οδηγίες εγκατάστασης



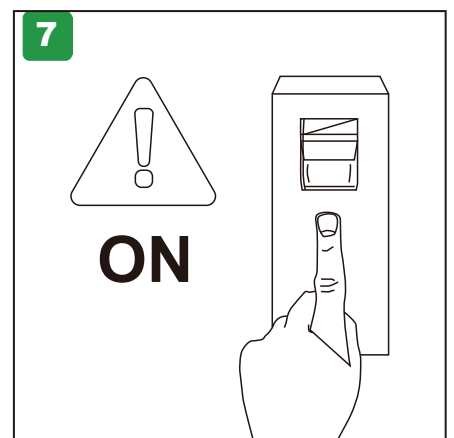
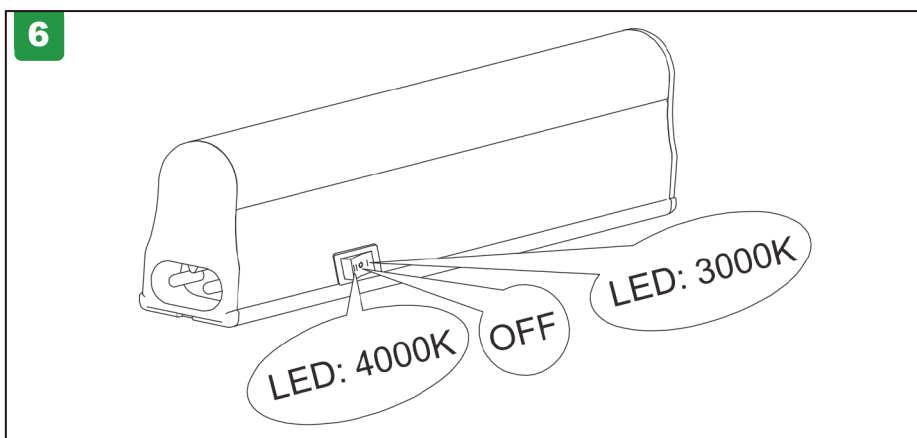
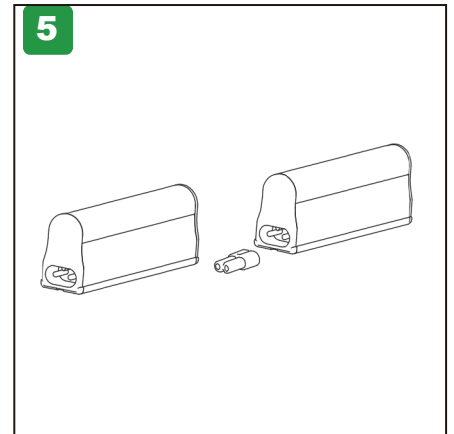
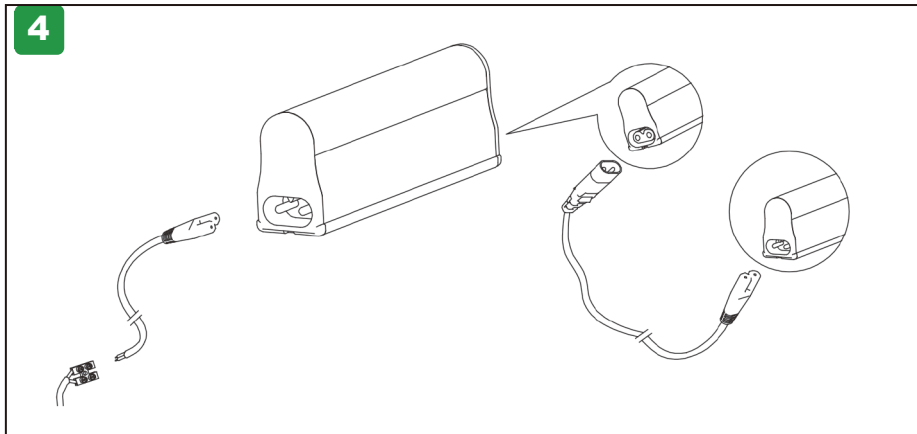
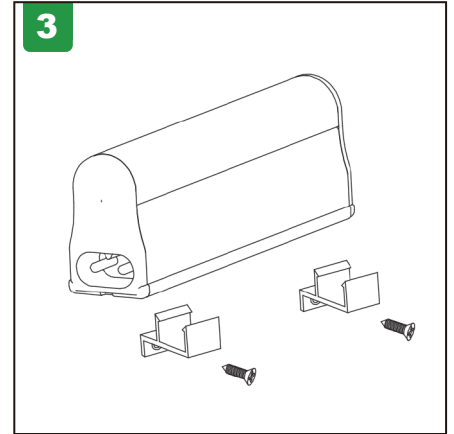
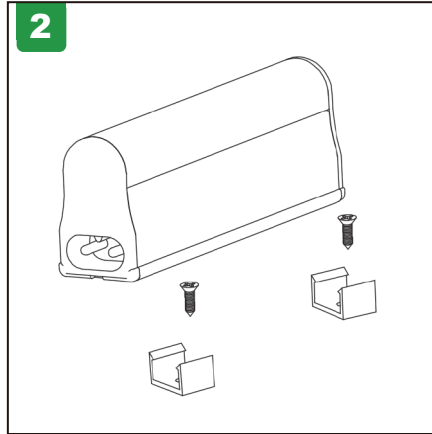
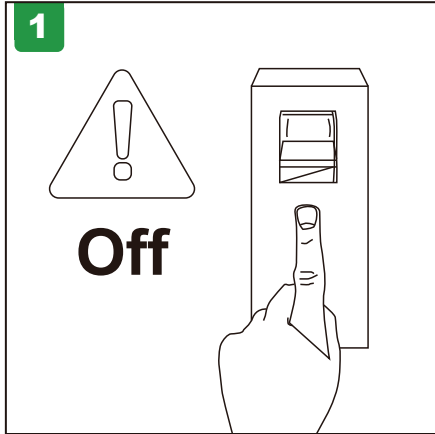
Product Code:[4L1/1005-4L1/1008]



Please Visit
<https://4liteuk.com>
downloads for our warranty
and translations



12 linklights can be connected in one continuous run



This product contains a light source of energy efficiency class - F

Ansell Electrical Products
Unit 6B, Stonecross Industrial
Park,
Yew Tree Way,
Warrington,
WA3 3JD

Ansell (Sales & Distribution)
Unit 2, M2 Business Park,
Duncrue Street,
Belfast,
BT3 9AQ

Ansell (Sales & Distribution) Republic of Ireland Limited
Unit G1, Block G,
Calmount Park, Calmount Avenue
Dublin 12,
D12 TH56

www.4liteuk.com

Warrington Tel: +44 (0)1942 433333

Belfast Tel: +44 (0)2890 773750

International Tel: +44 (0)1942 433343

Spain Tel: 00 34 938 005642