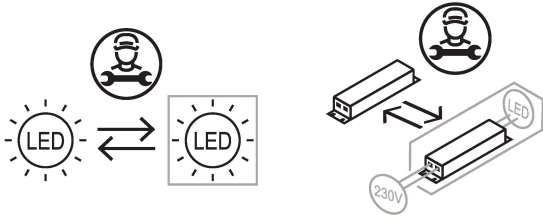


Installation Instructions

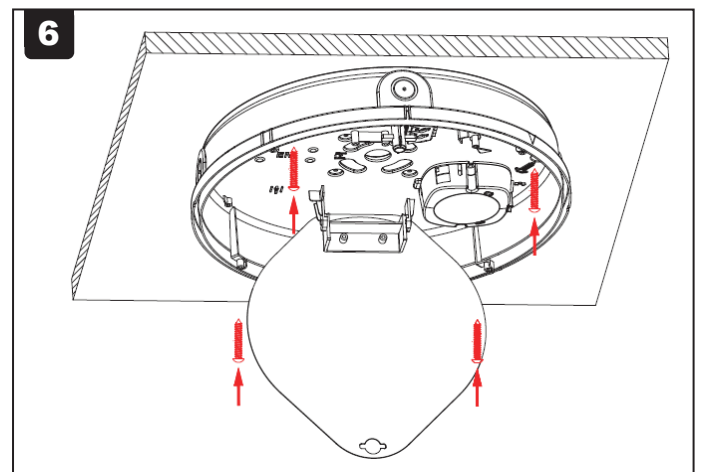
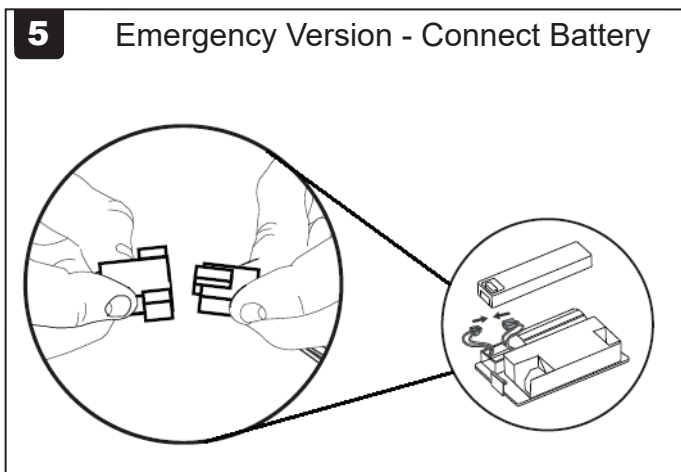
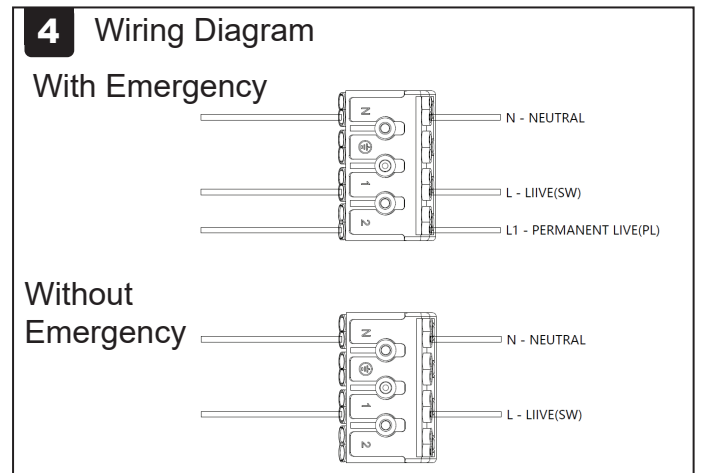
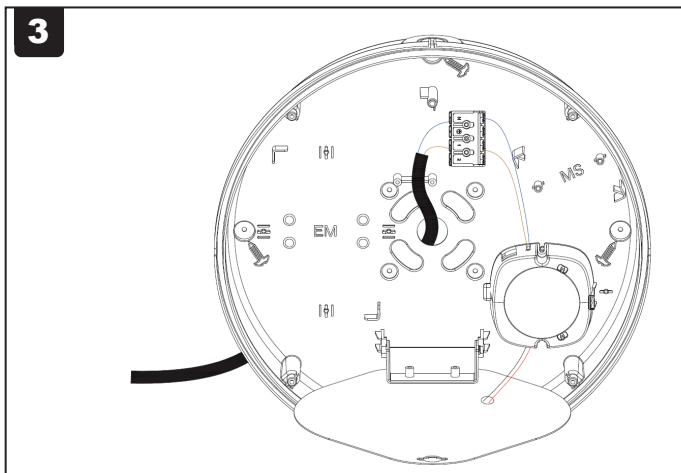
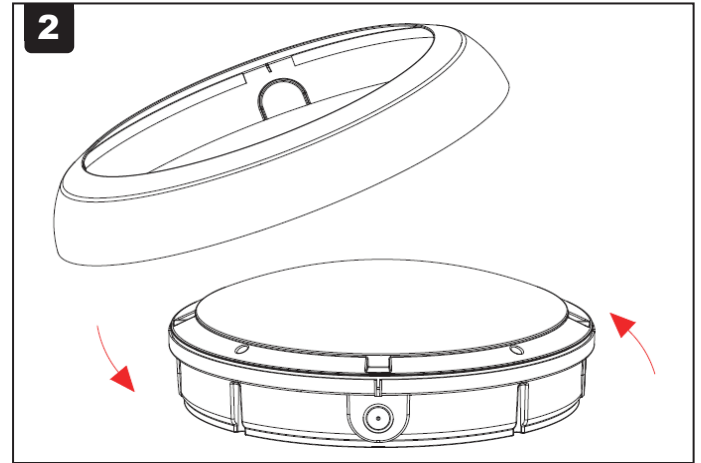
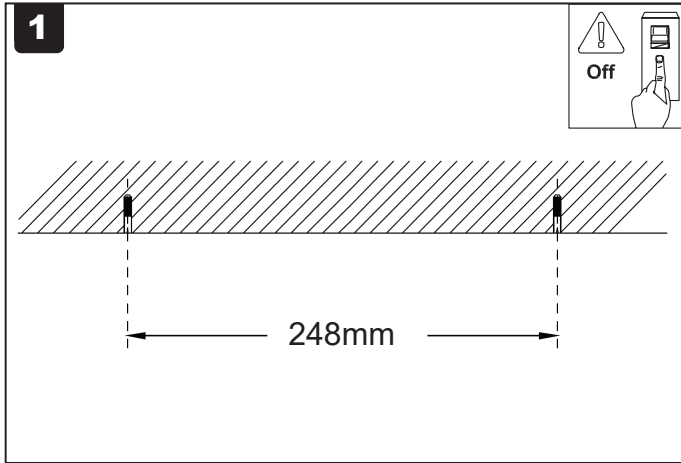
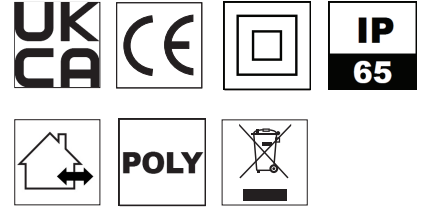
Instrucciones de instalación, Instructions d'installation, Installationsanleitung, إرشادات التركيب,
 Installatie-instructies, Instruções de instalação, Installatie-instructies,
 設置手順説明, Οδηγίες εγκατάστασης



Product Code:[4L1/333_ Range]



Please Visit
<https://4liteuk.com>
 downloads for our warranty
 and translations

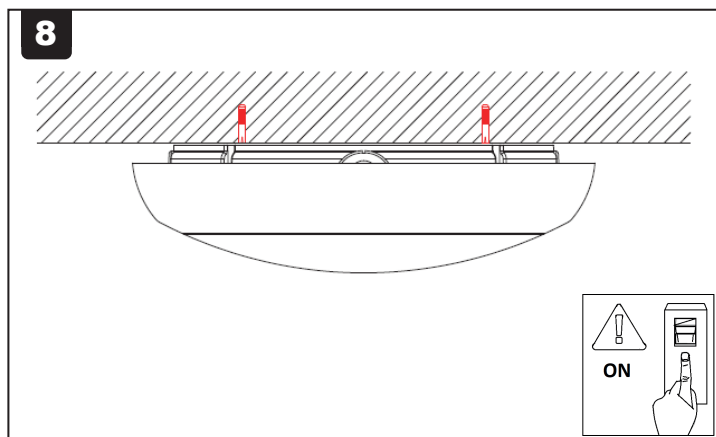
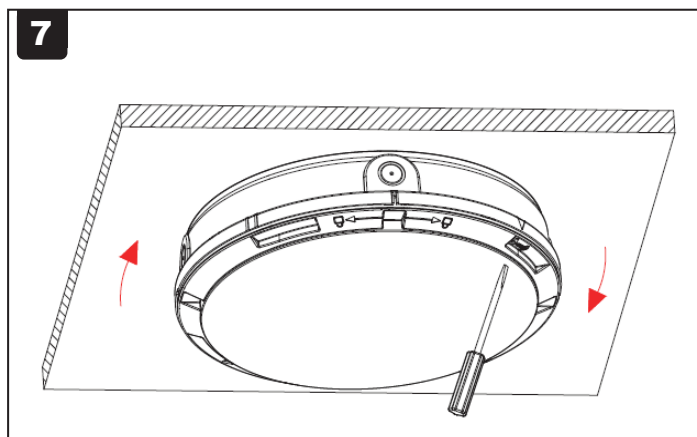


Ansell Electrical Products
 Unit 6B, Stonecross Industrial
 Park,
 Yew Tree Way,
 Warrington,
 WA3 3JD

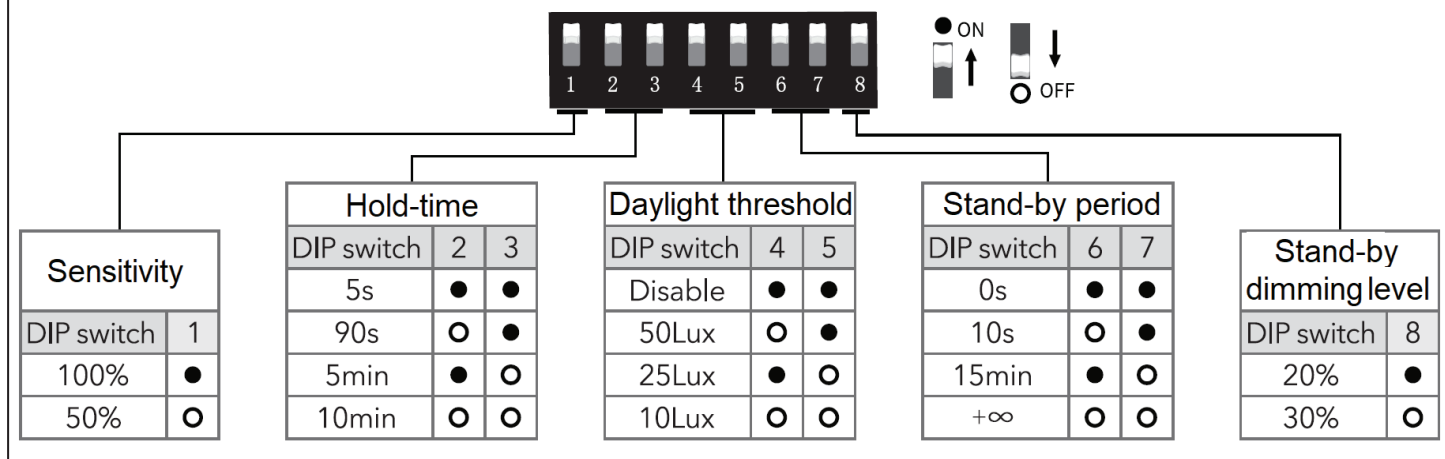
Ansell (Sales & Distribution)
 Unit 2, M2 Business Park,
 Duncrue Street,
 Belfast,
 BT3 9AQ

Ansell (Sales & Distribution) Republic of Ireland Limited
 Unit G1, Block G,
 Calmount Park, Ballymount
 Dublin 12,
 D12 TH56

www.4liteuk.com



Microwave Sensor Settings



This product contains a light source of energy efficiency class - **G**