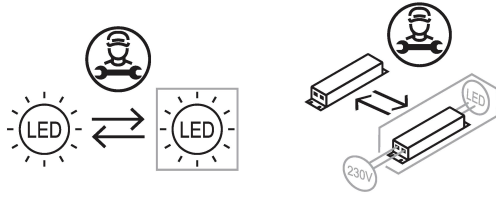


Installation Instructions

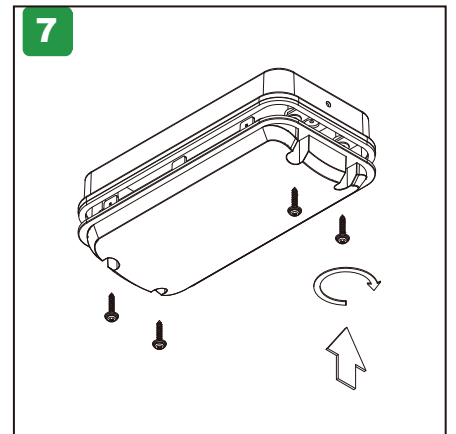
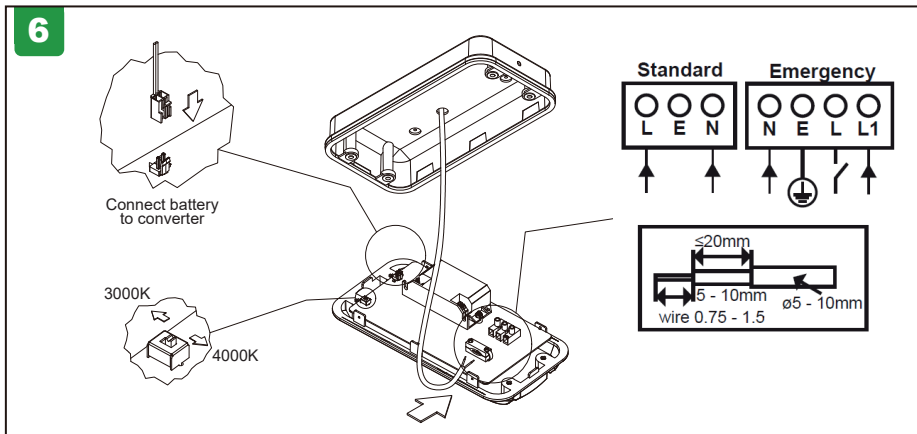
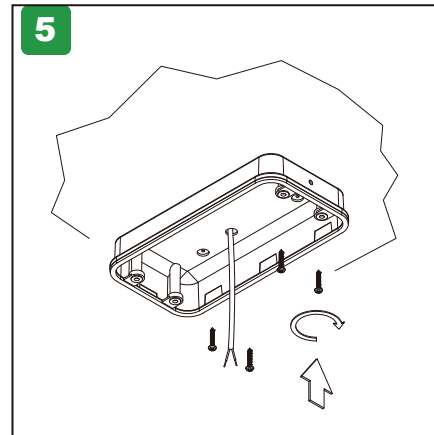
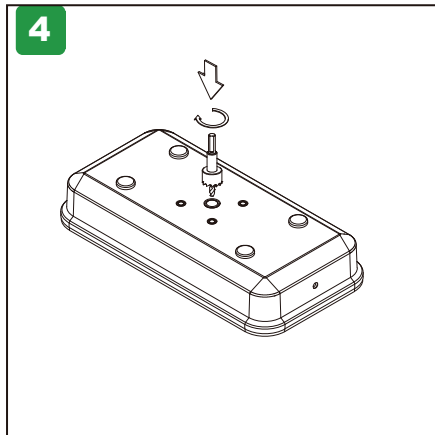
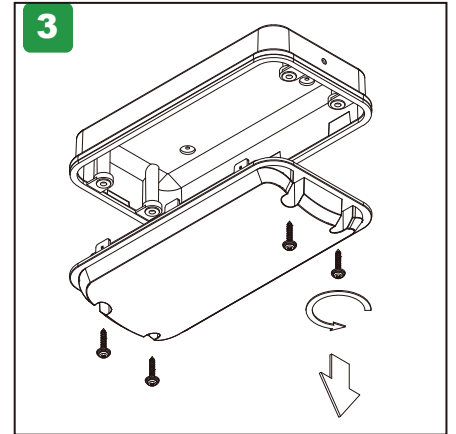
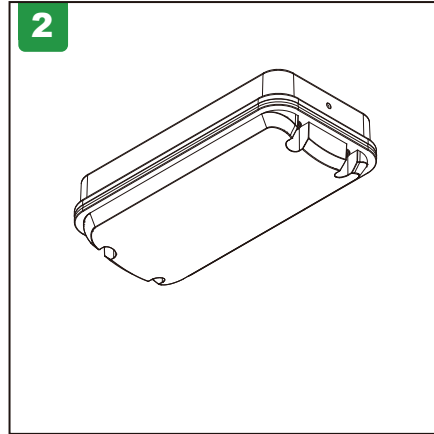
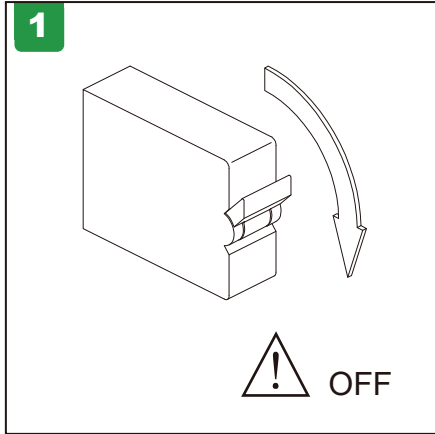
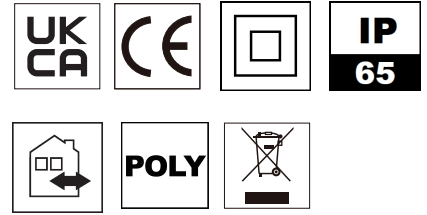
Instrucciones de instalación, Instructions d'installation, Installationsanleitung, إرشادات التركيب, Installatie-instructies, Instruções de instalação, Installatie-instructies, 設置手順説明, Οδηγίες εγκατάστασης



Product Code:[4L2/3212 & /PC & EM]



Please Visit <https://4liteuk.com> downloads for our warranty and translations



Ansell Electrical Products
Unit 6B, Stonecross Industrial Park,
Yew Tree Way,
Warrington,
WA3 3JD

Ansell (Sales & Distribution)
Unit 2, M2 Business Park,
Duncrue Street,
Belfast,
BT3 9AQ

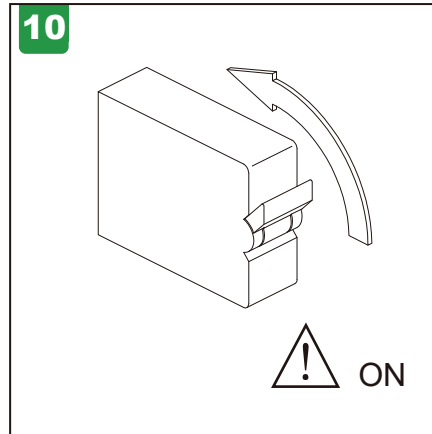
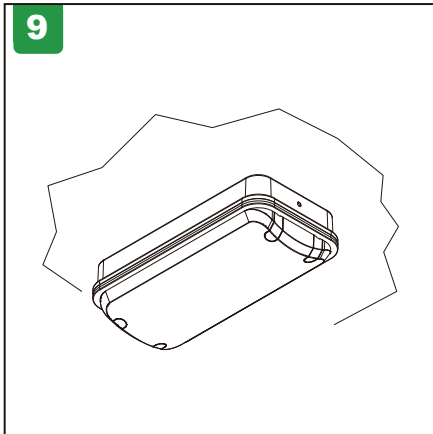
Ansell (Sales & Distribution) Republic of Ireland Limited
Unit G1, Block G,
Calmount Park, Calmount Avenue
Dublin 12,
D12 TH56

Warrington Tel: +44 (0)1942 433333

Belfast Tel: +44 (0)2890 773750

International Tel: +44 (0)1942 433343

Spain Tel: 00 34 938 005642



PIN 1	PIN 1	Irated [mA]	Prated [W]
/	OFF	200	5
ON	/	350	8

This product contains a light source of energy efficiency class - F

Ansell Electrical Products
Unit 6B, Stonecross Industrial
Park,
Yew Tree Way,
Warrington,
WA3 3JD

Ansell (Sales & Distribution)
Unit 2, M2 Business Park,
Duncrue Street,
Belfast,
BT3 9AQ

Ansell (Sales & Distribution) Republic of Ireland Limited
Unit G1, Block G,
Calmount Park, Calmount Avenue
Dublin 12,
D12 TH56