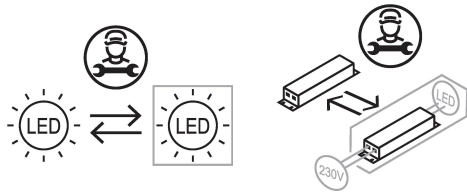


Installation Instructions

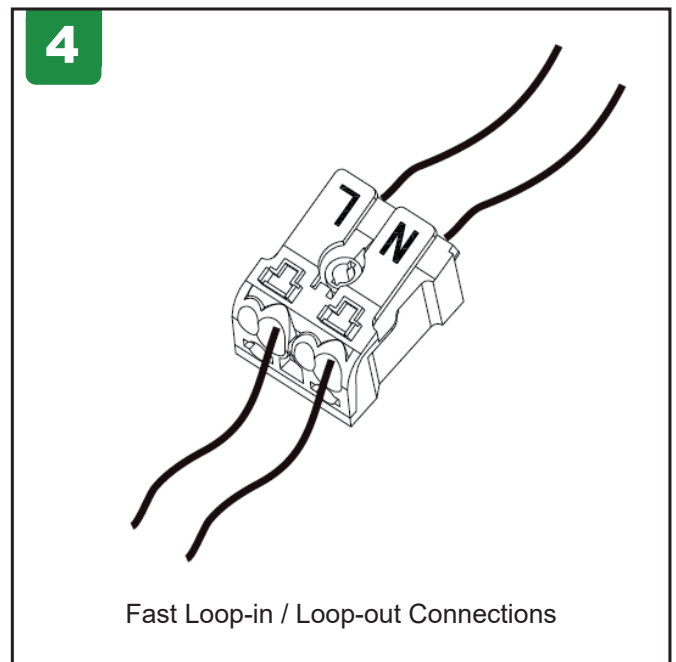
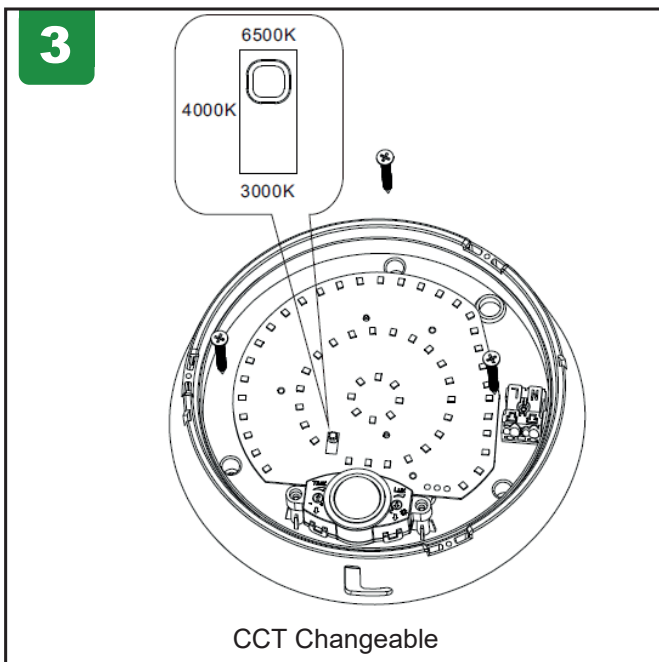
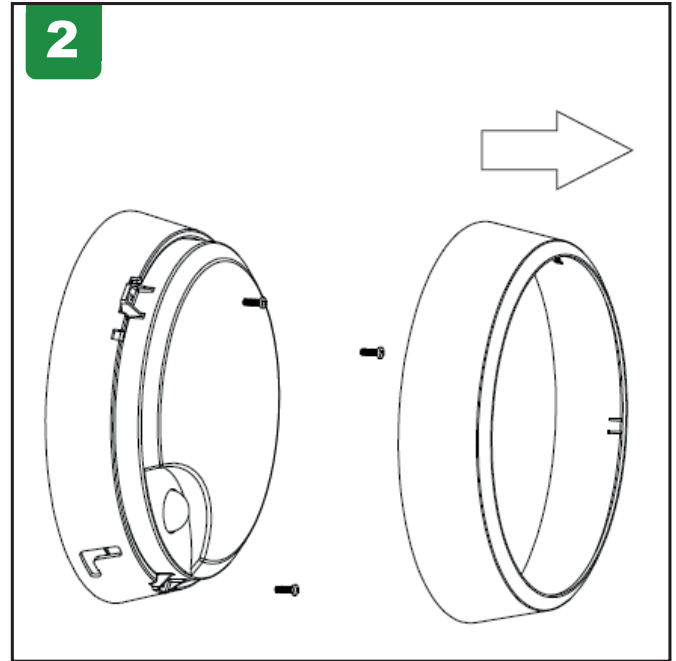
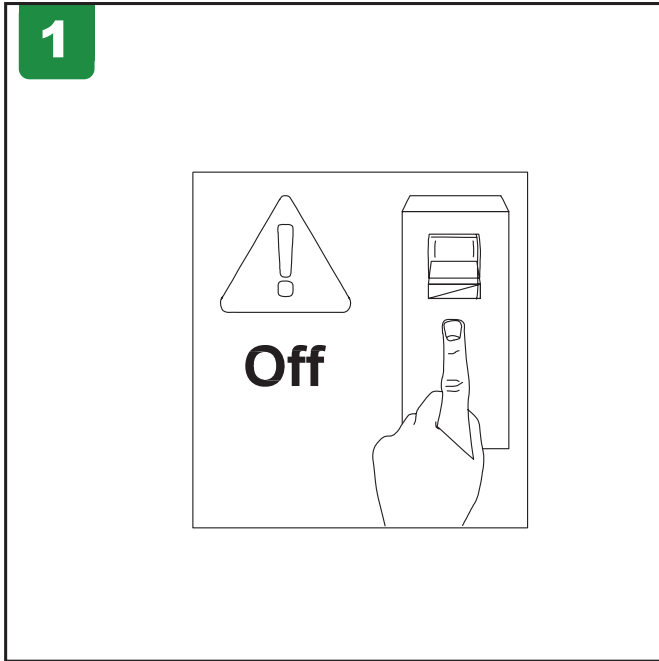
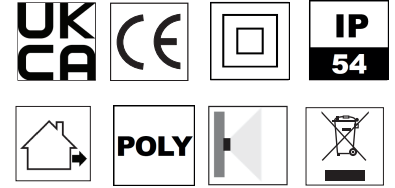
Instrucciones de instalación, Instructions d'installation, Installationsanleitung, إرشادات التركيب,
 Installatie-instructies, Instruções de instalação, Installatie-instructies,
 設置手順説明, Οδηγίες εγκατάστασης



Product Code:[4L2/3214 & 15/ & /PIR]
 [4L2/3218 & 19/ & /PIR]



Please Visit
<https://4liteuk.com>
 downloads for our warranty
 and translations



Ansell Electrical Products
 Unit 6B, Stonecross Industrial
 Park,
 Yew Tree Way,
 Warrington,
 WA3 3JD

Ansell (Sales & Distribution)
 Unit 2, M2 Business Park,
 Duncrue Street,
 Belfast,
 BT3 9AQ

Ansell (Sales & Distribution) Republic of Ireland Limited
 Unit G1, Block G,
 Calmount Park, Calmount Avenue
 Dublin 12,
 D12 TH56

www.4liteuk.com

5

PIR
 Min 6m
 Min 3±2LUX~Max10000LUX
 5±3S~12±2min

6

7

This product contains a light source of energy efficiency class - **G**

Ansell Electrical Products Unit 6B, Stonecross Industrial Park, Yew Tree Way, Warrington, WA3 3JD	Ansell (Sales & Distribution) Unit 2, M2 Business Park, Duncrue Street, Belfast, BT3 9AQ	Ansell (Sales & Distribution) Republic of Ireland Limited Unit G1, Block G, Calmount Park, Calmount Avenue Dublin 12, D12 TH56	www.4liteuk.com
---	--	--	--

☎ Warrington Tel: +44 (0)1942 433333
 ☎ Belfast Tel: +44 (0)2890 773750
 ☎ International Tel: +44 (0)1942 433343
 ☎ Spain Tel: 00 34 938 005642