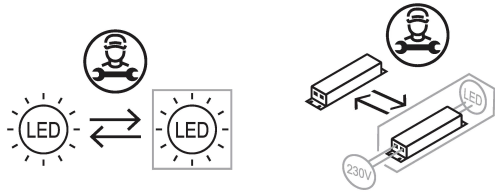


Installation Instructions

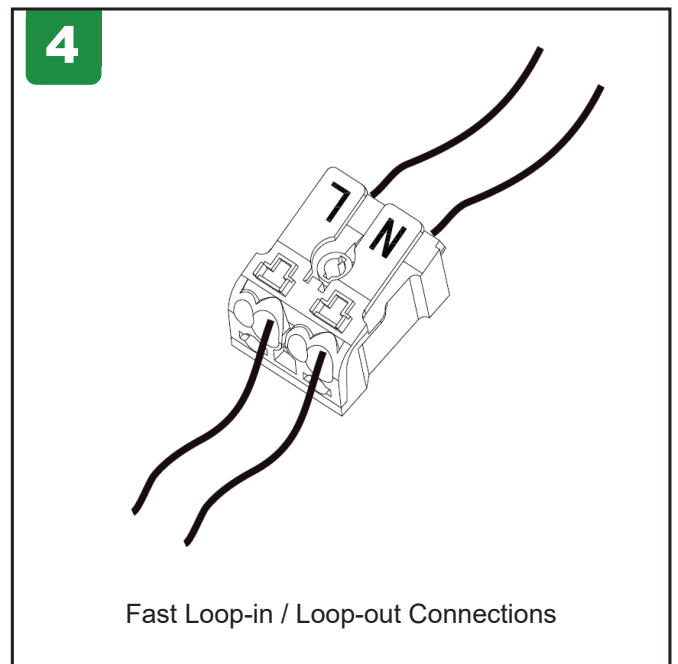
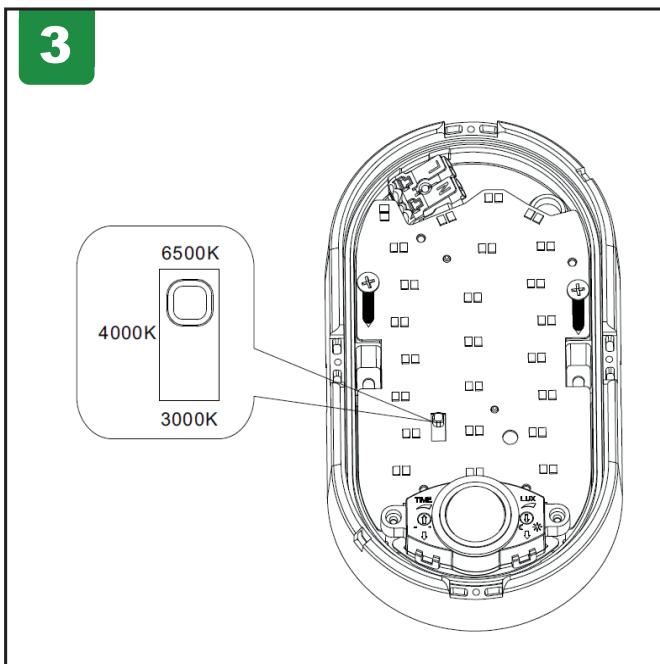
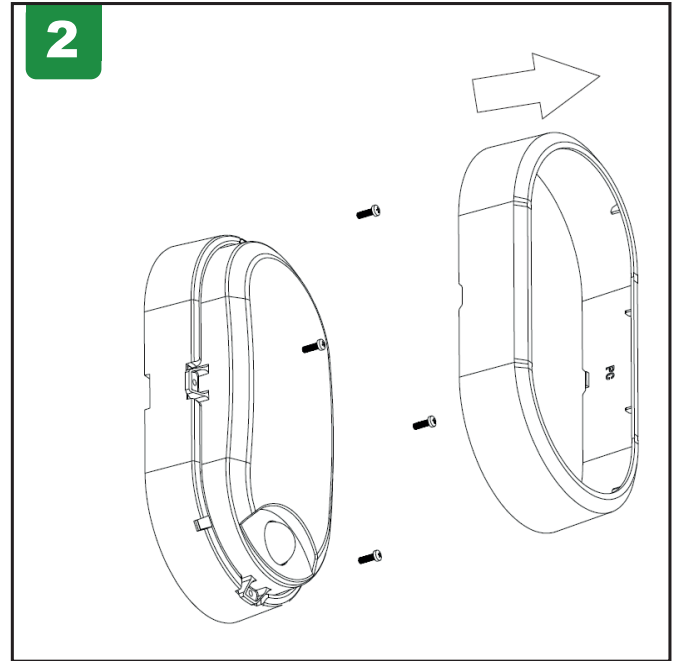
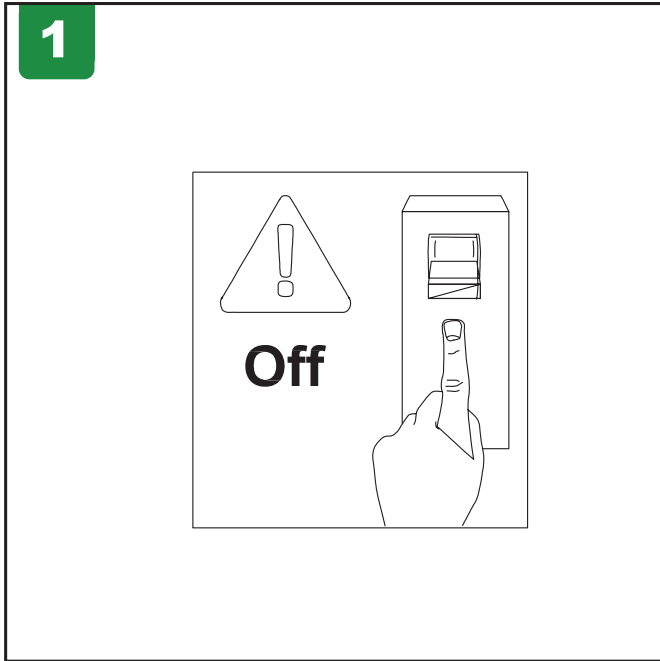
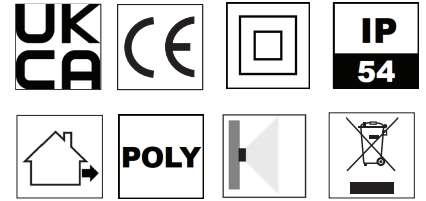
Instrucciones de instalación, Instruccions d'instal·lació, Installationsanleitung, إرشادات التركيب,
 Installatie-instructies, Instruções de instalação, Installatie-instructies,
 設置手順説明, Οδηγίες εγκατάστασης



Product Code:[4L2/3216 & 17 & /PIR]



Please Visit
<https://4liteuk.com>
 downloads for our warranty
 and translations



Ansell Electrical Products
 Unit 6B, Stonecross Industrial
 Park,
 Yew Tree Way,
 Warrington,
 WA3 3JD

Ansell (Sales & Distribution)
 Unit 2, M2 Business Park,
 Duncrue Street,
 Belfast,
 BT3 9AQ

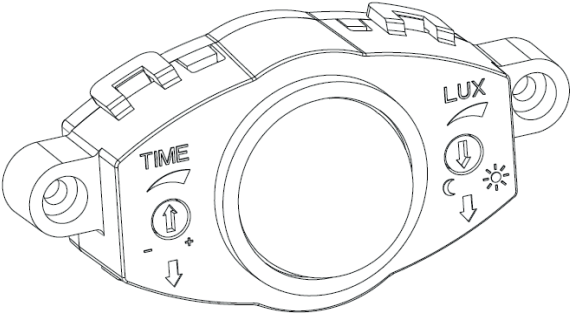
Ansell (Sales & Distribution) Republic of Ireland Limited
 Unit G1, Block G,
 Calmount Park, Calmount Avenue
 Dublin 12,
 D12 TH56

www.4liteuk.com

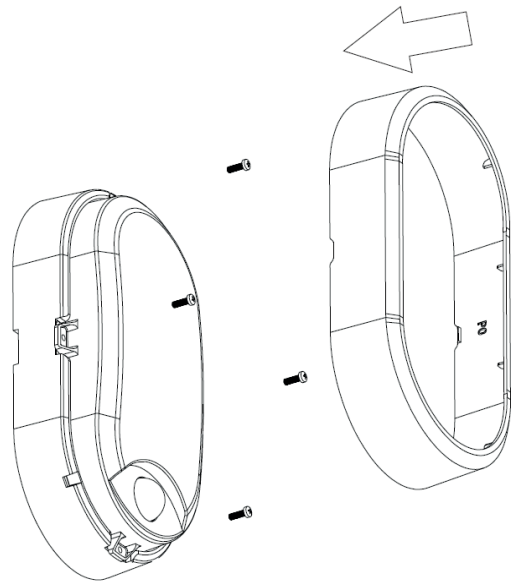
5

PIR

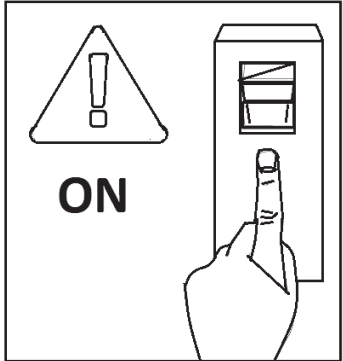
Min 6m
 Min 3±2LUX~Max10000LUX
 5±3S~12±2min



6



7



This product contains a light source of energy efficiency class - F