

# Installation Instructions

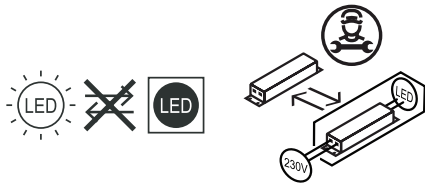


Instrucciones de instalación, Instructions d'installation, Installationsanleitung, إرشادات التركيب

Installatie-instructies, Instruções de instalação, Installatie-instructies,

設置手順説明, Οδηγίες εγκατάστασης

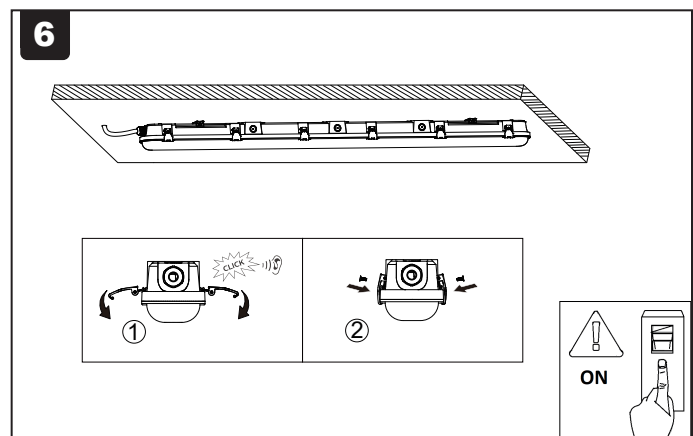
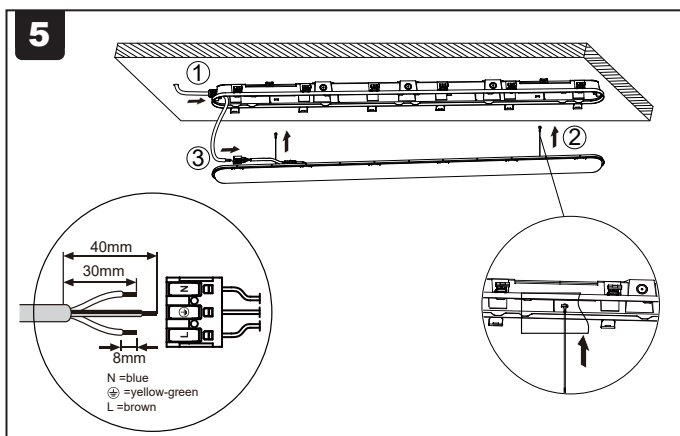
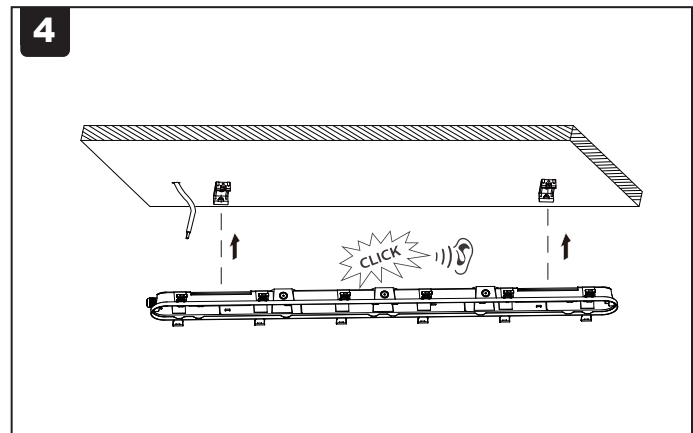
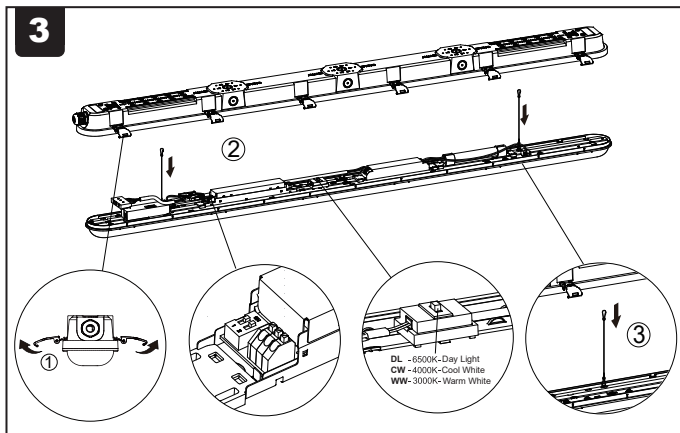
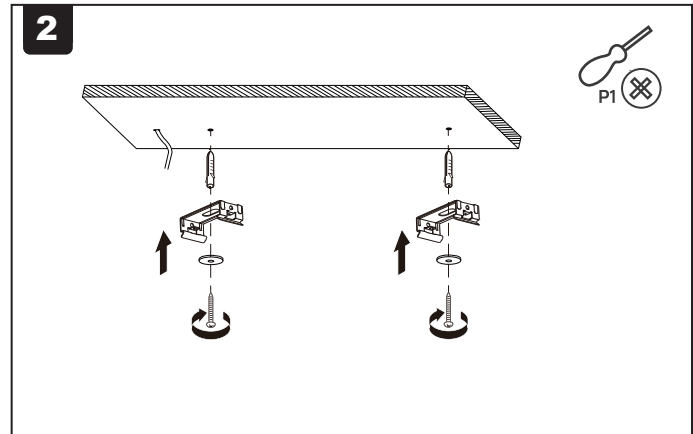
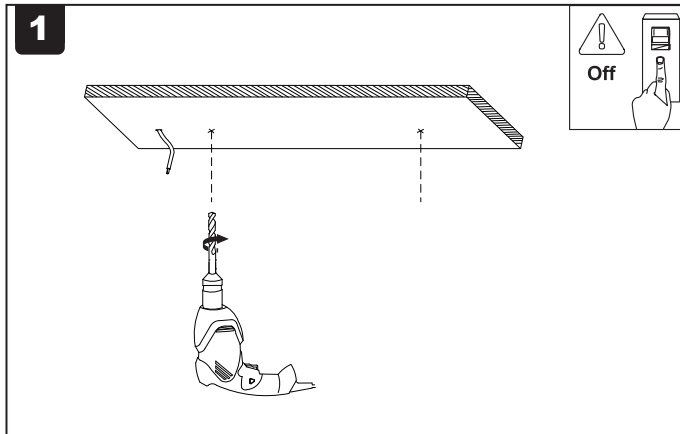
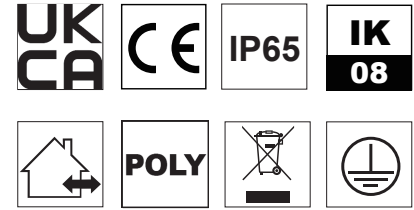
Product Code: [4L3/114\_/MW ]



Please Visit

<https://4liteuk.com>

downloads for our warranty and translations



This product contains a light source of energy efficiency class - E

Ansell Electrical Products  
Unit 6B, Stonecross Industrial Park,  
Yew Tree Way,  
Warrington,  
WA3 3JD

Ansell (Sales & Distribution)  
Unit 2, M2 Business Park,  
Duncrue Street,  
Belfast,  
BT3 9AQ

Ansell (Sales & Distribution) Republic of Ireland Limited  
Unit G1, Block G,  
Calmount Park, Calmount Avenue  
Dublin 12,  
D12 TH56

[www.4liteuk.com](http://www.4liteuk.com)

Warrington Tel: +44 (0)1942 433333

Belfast Tel: +44 (0)2890 773750

International Tel: +44 (0)1942 433343

Spain Tel: 00 34 938 005642

# Installation Instructions



Instrucciones de instalación, Instructions d'installation, Installationsanleitung, إرشادات التركيب,

Installatie-instructies, Instruções de instalação, Installatie-instructies,

設置手順説明, Οδηγίες εγκατάστασης

Product Code: [Valde MWS]

Mounting Height: 6m Max.

Microwave Frequency: 5.8GHz+/-75MHz

Microwave Power: <0.5mW

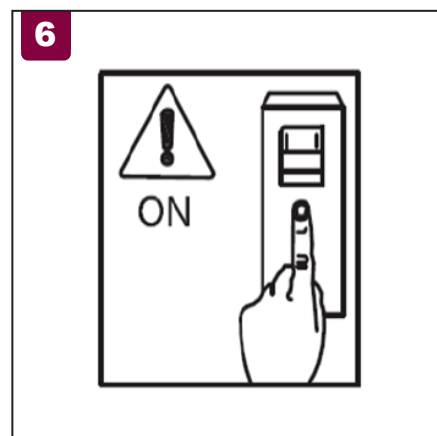
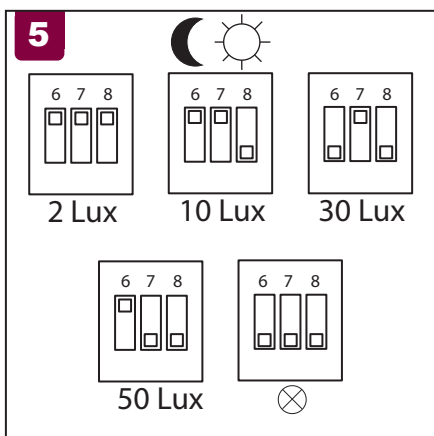
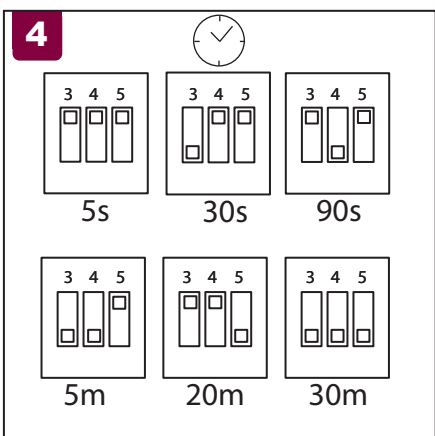
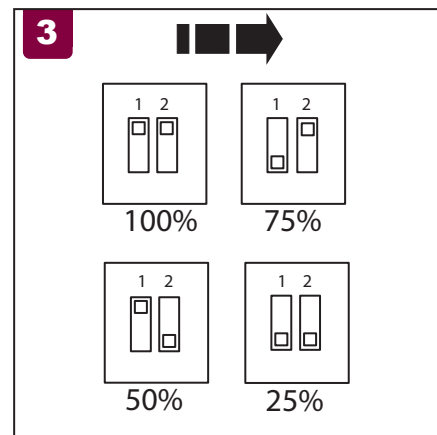
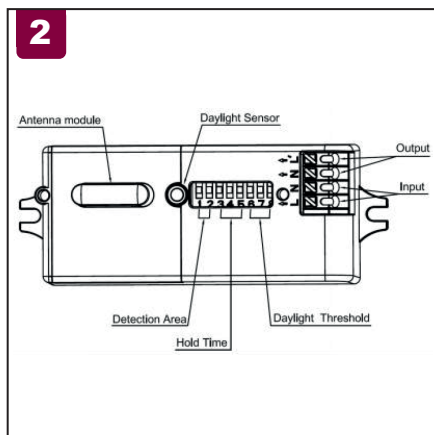
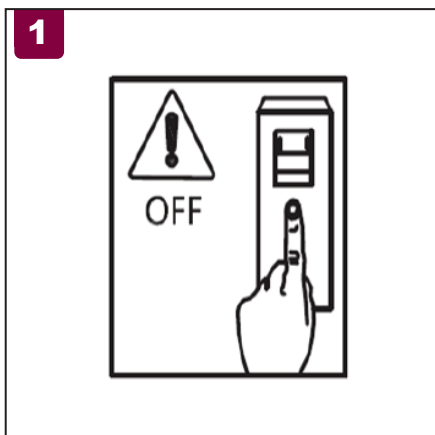
Detection Radius: 3m-10m(mounting height 3-4m)

2m-8m(mounting height 6m)

Detection Angle: Ceiling 360°~Wall 150°

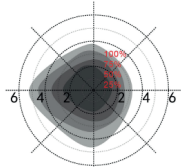


① Detection is possible through doors, panels, glass and thin walls.

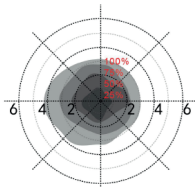


1) Ceiling mounting

Ceiling mounted height: 3m  
Sensitivity: 100%/75%/50%/25%

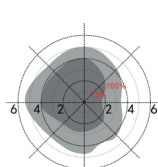


Normal moving (Speed:1m/s)

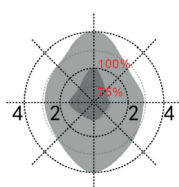


Slow moving (Speed 0.3m/s)

Ceiling mounted height: 6m(\*)  
Sensitivity:100%/75%



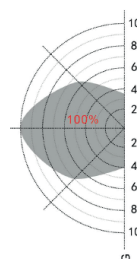
Normal moving (Speed:1m/s)



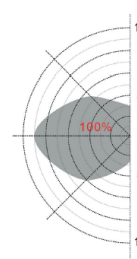
Slow moving (Speed: 0.3m/s)

2) Wall mounting

Horizon mounted height: 2m  
Sensitivity: 100%



Normal moving (Speed: 1m/s)



Slow moving (Speed 0.3m/s)

\*Only 100%/75% detection sensitivity is workable when installed at 6m mounting height. 25%/50% sensitivity is not able to detect motion signal.

Ansell Electrical Products  
Unit 6B, Stonecross Industrial  
Park,  
Yew Tree Way,  
Warrington,  
WA3 3JD

Ansell (Sales & Distribution)  
Unit 2, M2 Business Park,  
Duncrue Street,  
Belfast,  
BT3 9AQ

Ansell (Sales & Distribution) Republic of Ireland Limited  
Unit G1, Block G,  
Calmount Park, Calmount Avenue  
Dublin 12,  
D12 TH56

Warrington Tel: +44 (0)1942 433333

Belfast Tel: +44 (0)2890 773750

International Tel: +44 (0)1942 433343

Spain Tel: 00 34 938 005642