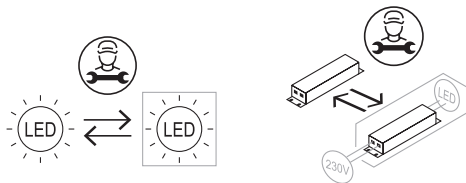


Installation Instructions

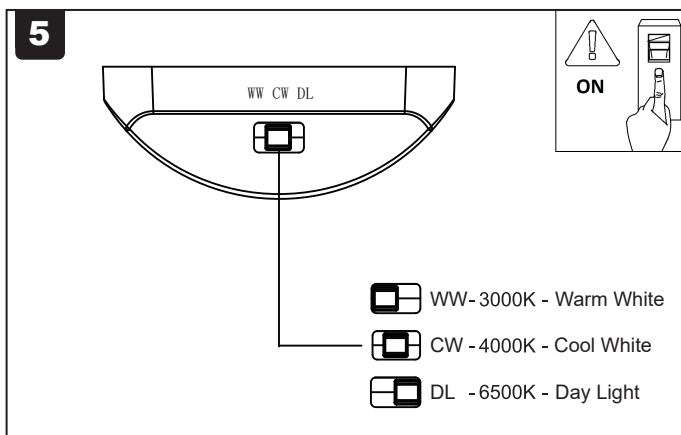
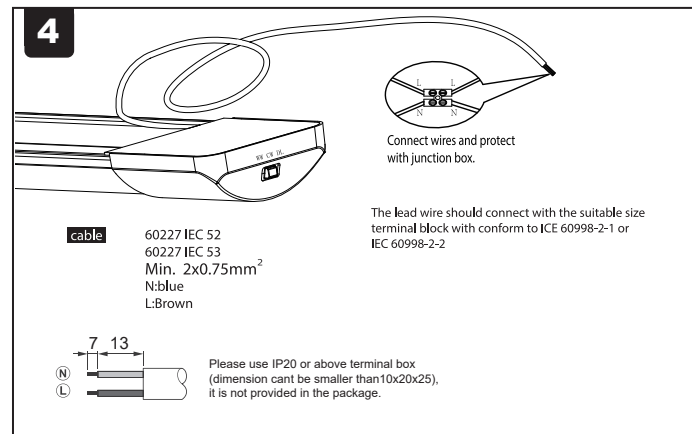
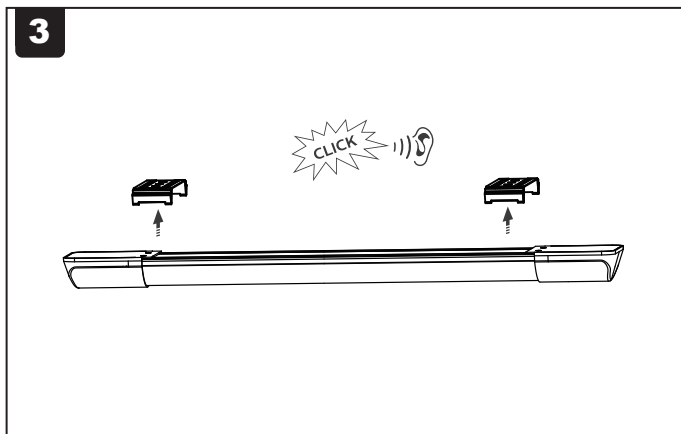
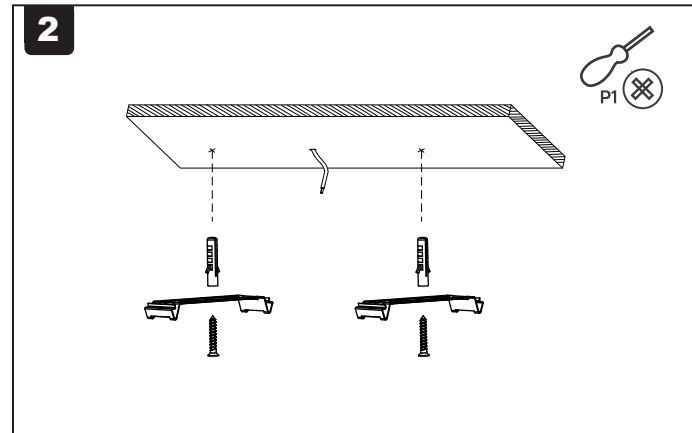
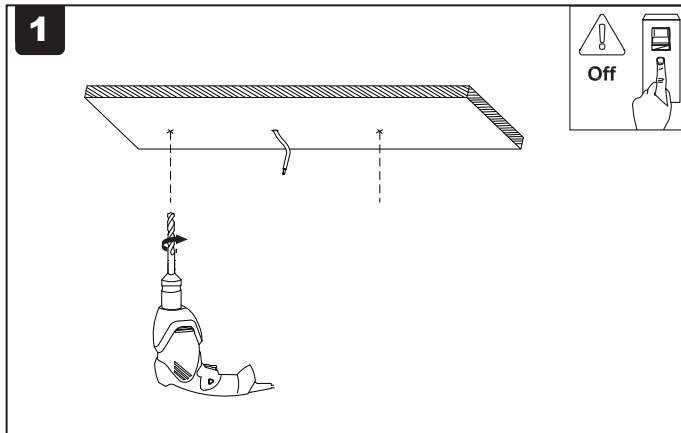
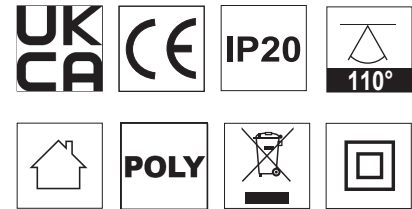
Instrucciones de instalación, Instructions d'installation, Installationsanleitung, إرشادات التركيب
 Installatie-instructies, Instruções de instalação, Installatie-instructies,
 設置手順説明, Οδηγίες εγκατάστασης



Product Code: [4L3/2040 - 2042]



Please Visit
<https://4liteuk.com>
 downloads for our warranty
 and translations



This product contains a light source of energy efficiency class - E

Ansell Electrical Products Unit 6B, Stonecross Industrial Park, Yew Tree Way, Warrington, WA3 3JD	Ansell (Sales & Distribution) Unit 2, M2 Business Park, Duncrue Street, Belfast, BT3 9AQ	Ansell (Sales & Distribution) Republic of Ireland Limited Unit G1, Block G, Calmount Park, Calmount Avenue Dublin 12, D12 TH56	www.4liteuk.com
Warrington Tel: +44 (0)1942 433333	Belfast Tel: +44 (0)2890 773750	International Tel: +44 (0)1942 433343	Spain Tel: 00 34 938 005642