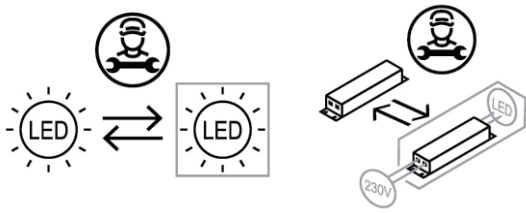


Installation Instructions

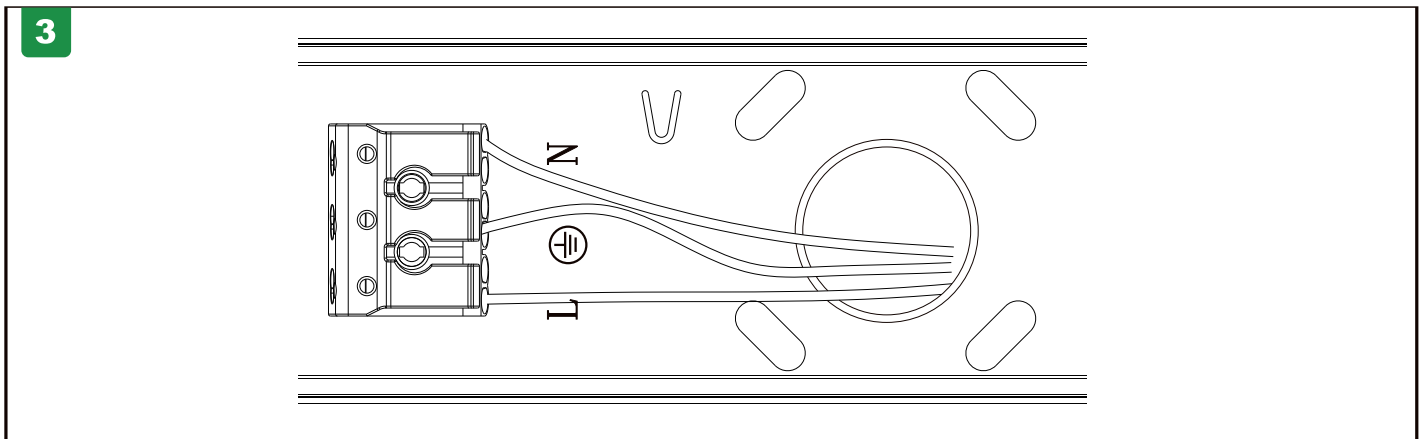
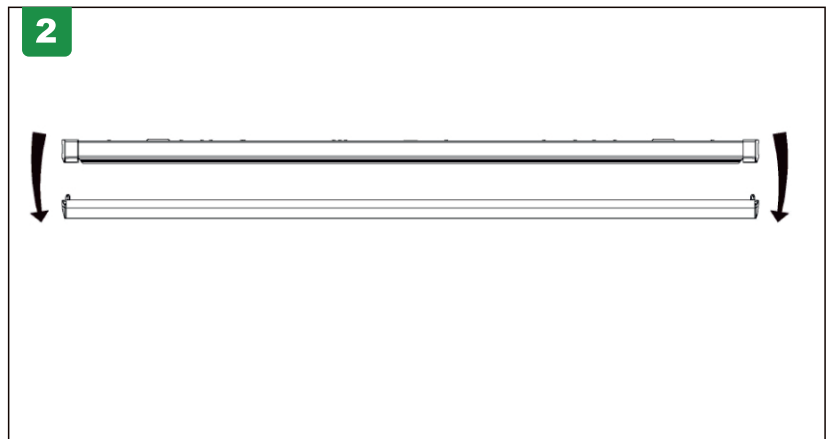
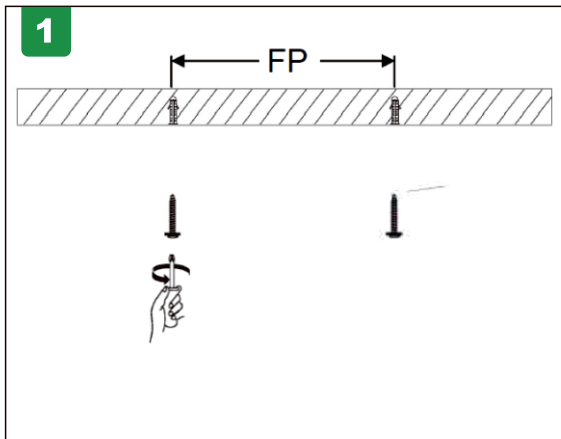
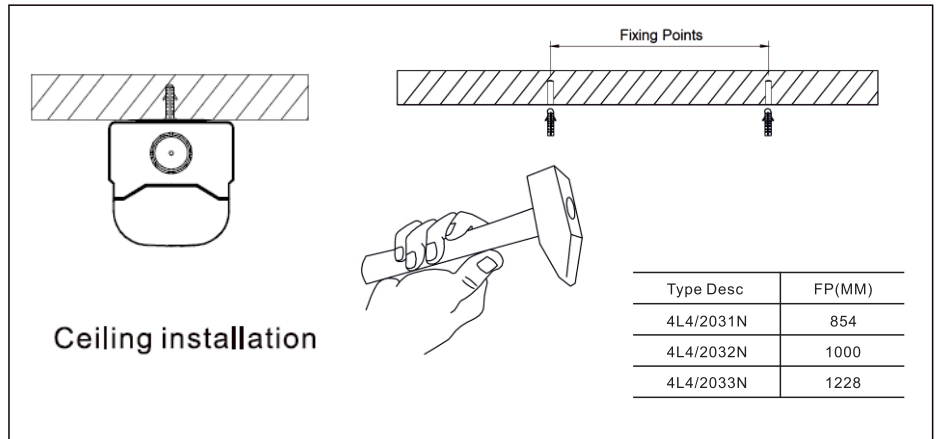
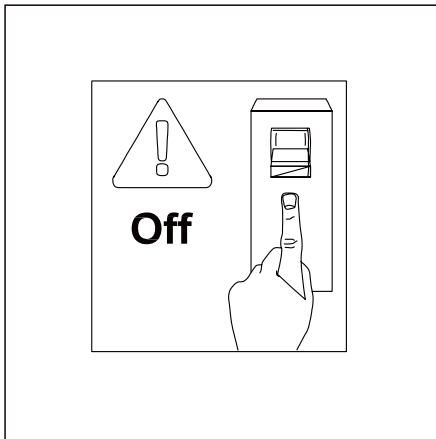
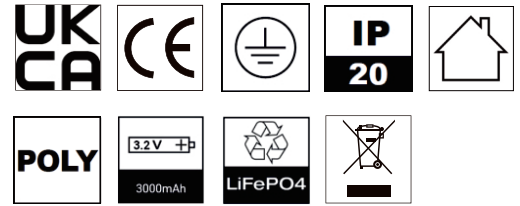


Instrucciones de instalación, Instructions d'installation, Installationsanleitung, إرشادات التركيب
 Installatie-instructies, Instruções de instalação, Installatie-instructies,
 設置手順説明, Οδηγίες εγκατάστασης

Product Code: [4L4/2031/MW]



Please Visit
<https://4liteuk.com>
 downloads for our warranty
 and translations

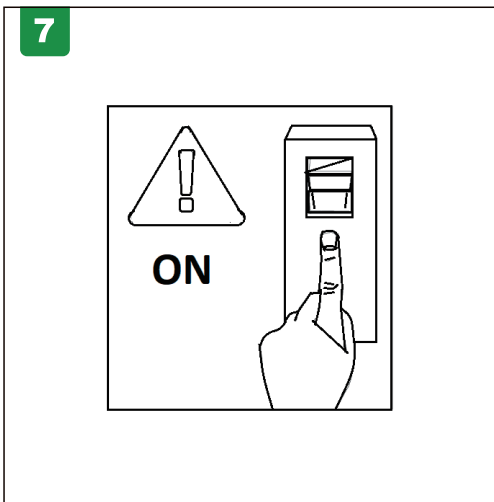
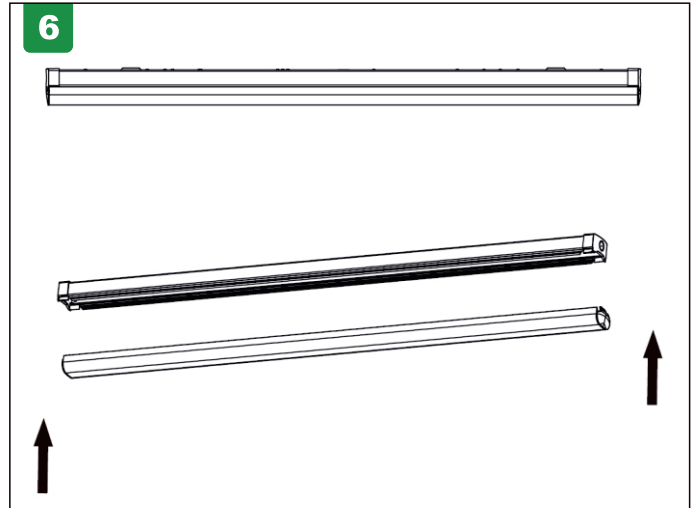
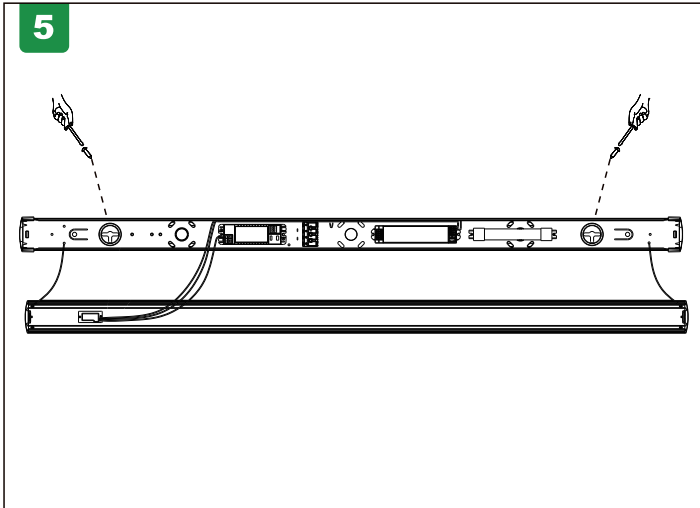
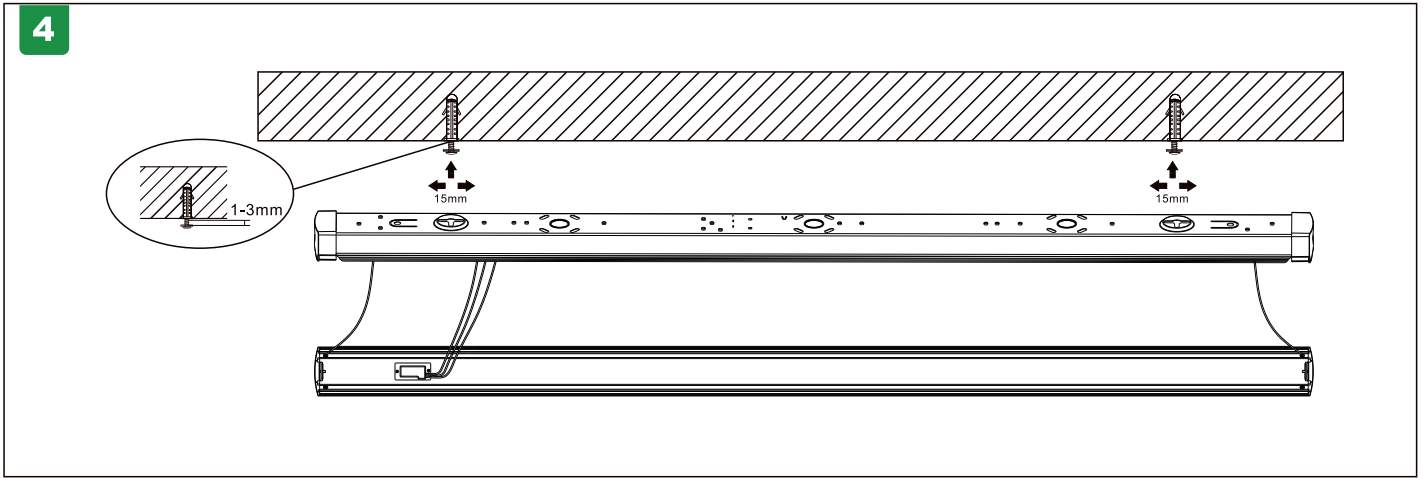


Ansell Electrical Products
 Unit 6B, Stonecross Industrial
 Park,
 Yew Tree Way,
 Warrington,
 WA3 3JD

Ansell (Sales & Distribution)
 Unit 2, M2 Business Park,
 Duncrue Street,
 Belfast,
 BT3 9AQ

Ansell (Sales & Distribution) Republic of Ireland Limited
 Unit G1, Block G,
 Calmount Park, Ballymount
 Dublin 12,
 D12 TH56

www.4liteuk.com



This product contains a light source of energy efficiency class - D

Ansell Electrical Products
Unit 6B, Stonecross Industrial
Park,
Yew Tree Way,
Warrington,
WA3 3JD

Ansell (Sales & Distribution)
Unit 2, M2 Business Park,
Duncrue Street,
Belfast,
BT3 9AQ

Ansell (Sales & Distribution) Republic of Ireland Limited
Unit G1, Block G,
Calmount Park, Ballymount
Dublin 12,
D12 TH56

www.4liteuk.com

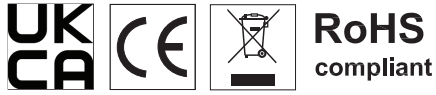
Installation Instructions

Instrucciones de instalación, Instructions d'installation, Installationsanleitung, إرشادات التركيب,
 Installatie-instructies, Instruções de instalação, Installatie-instructies,
 設置手順説明, Οδηγίες εγκατάστασης

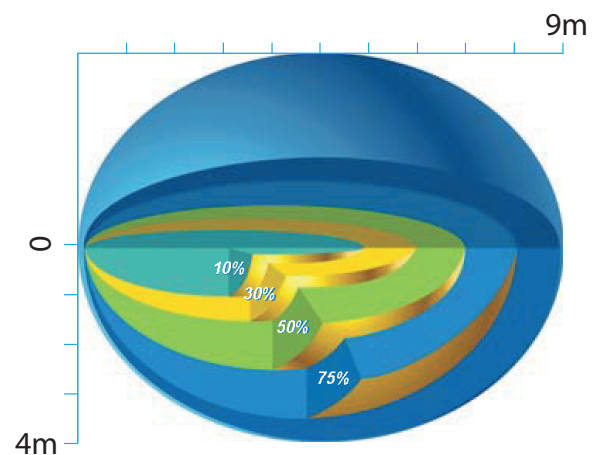
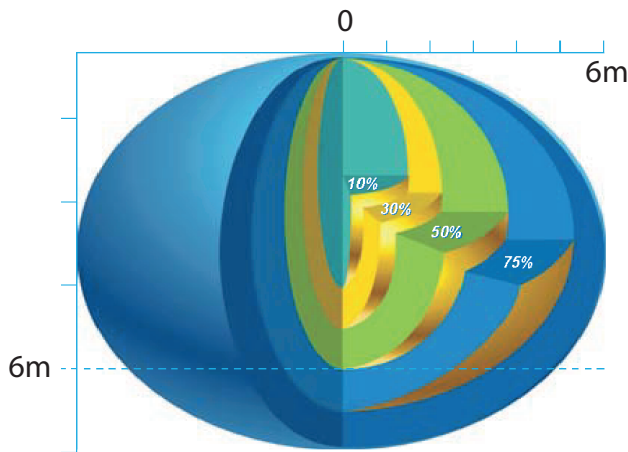
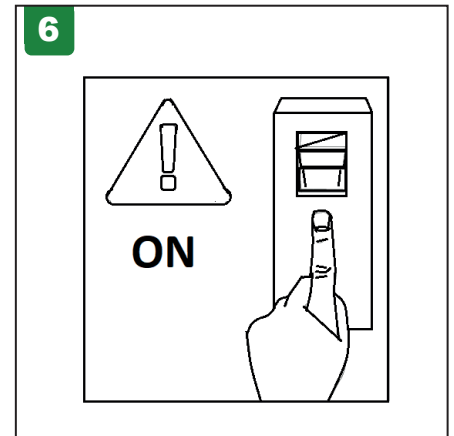
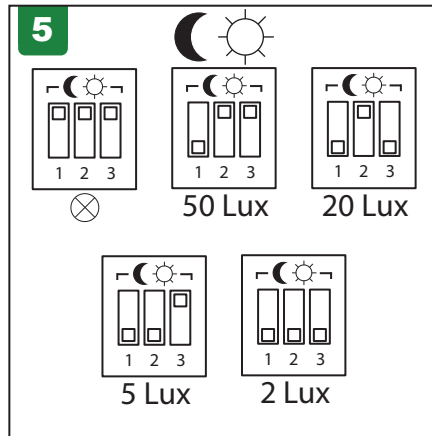
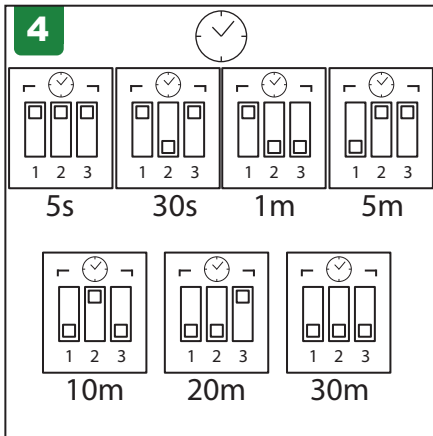
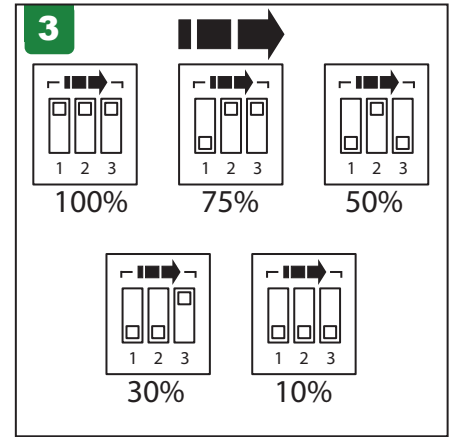
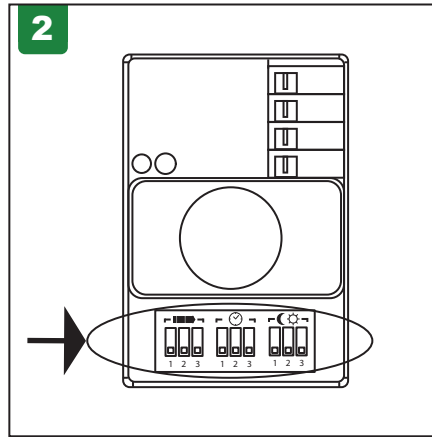
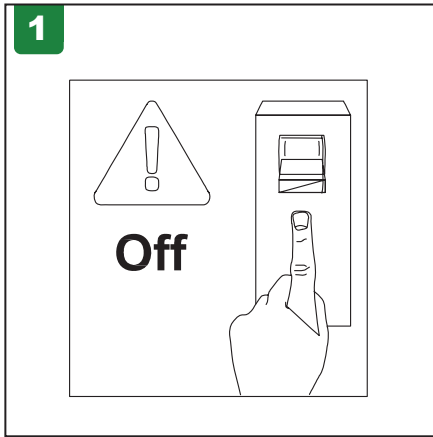


Product Code:[AMWS1 (HC005S)]

Warm Up Time: 20s
 Microwave Frequency: 5.8GHz+/-75MHz
 Microwave Power: <0.2mW
 Detection Range: Max. (øxH): 12m x 6m
 Detection Angle: 30°~150°



ⓘ Detection is possible through doors, panels, glass and thin walls.



Ansell Electrical Products
 Unit 6B, Stonecross Industrial
 Park,
 Yew Tree Way,
 Warrington,
 WA3 3JD

Ansell (Sales & Distribution)
 Unit 2, M2 Business Park,
 Duncrue Street,
 Belfast,
 BT3 9AQ

Ansell (Sales & Distribution) Republic of Ireland Limited
 Unit G1, Block G,
 Calmount Park, Calmount Avenue
 Dublin 12,
 D12 TH56

www.ansell-lighting.com