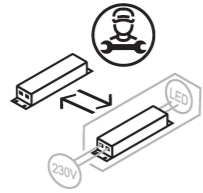


# Installation Instructions

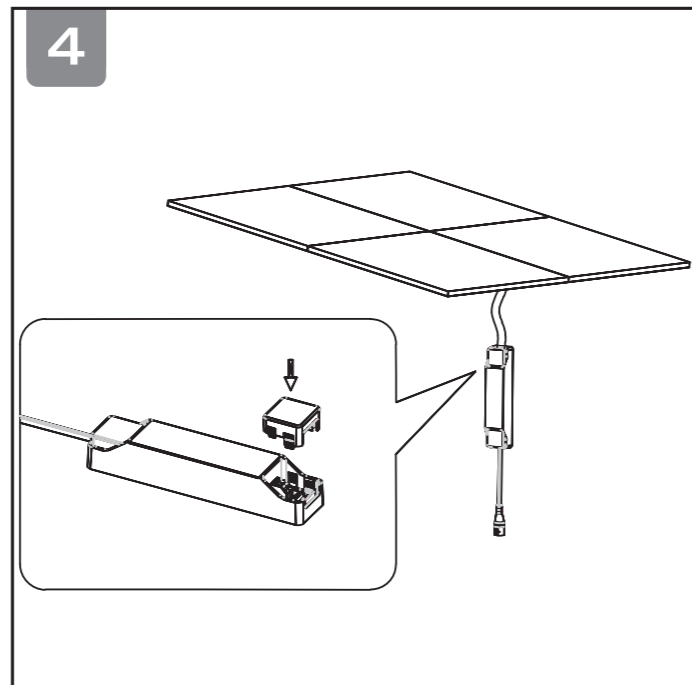
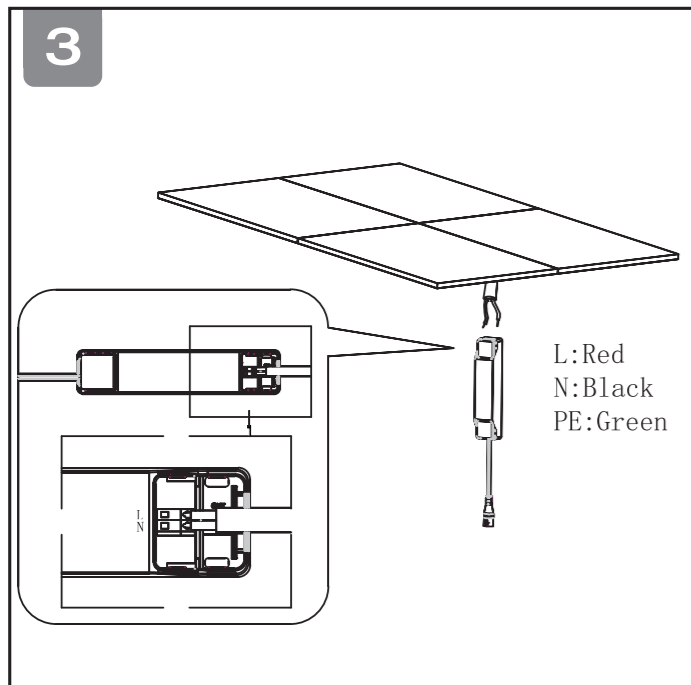
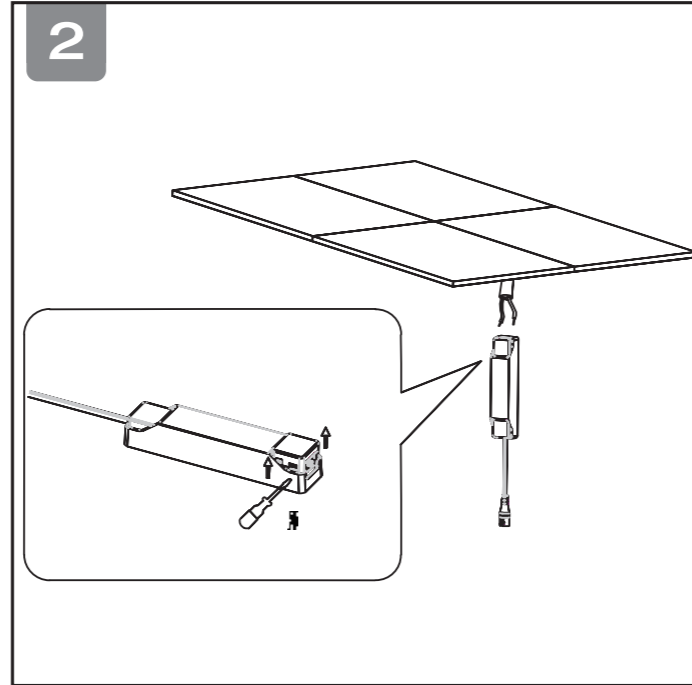
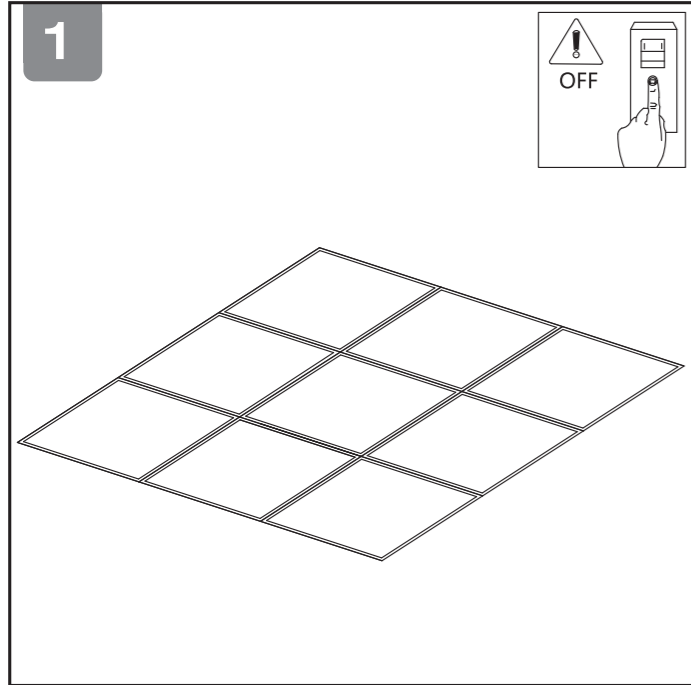
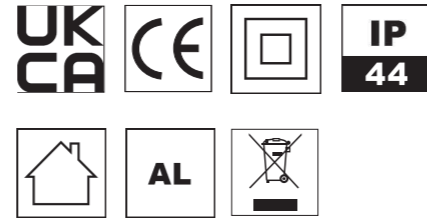
Instrucciones de instalación, Instructions d'installation, Installationsanleitung, إرشادات التركيب,  
 Installatie-instructies, Instruções de instalação, Installatie-instructies,  
 設置手順説明, Οδηγίες εγκατάστασης



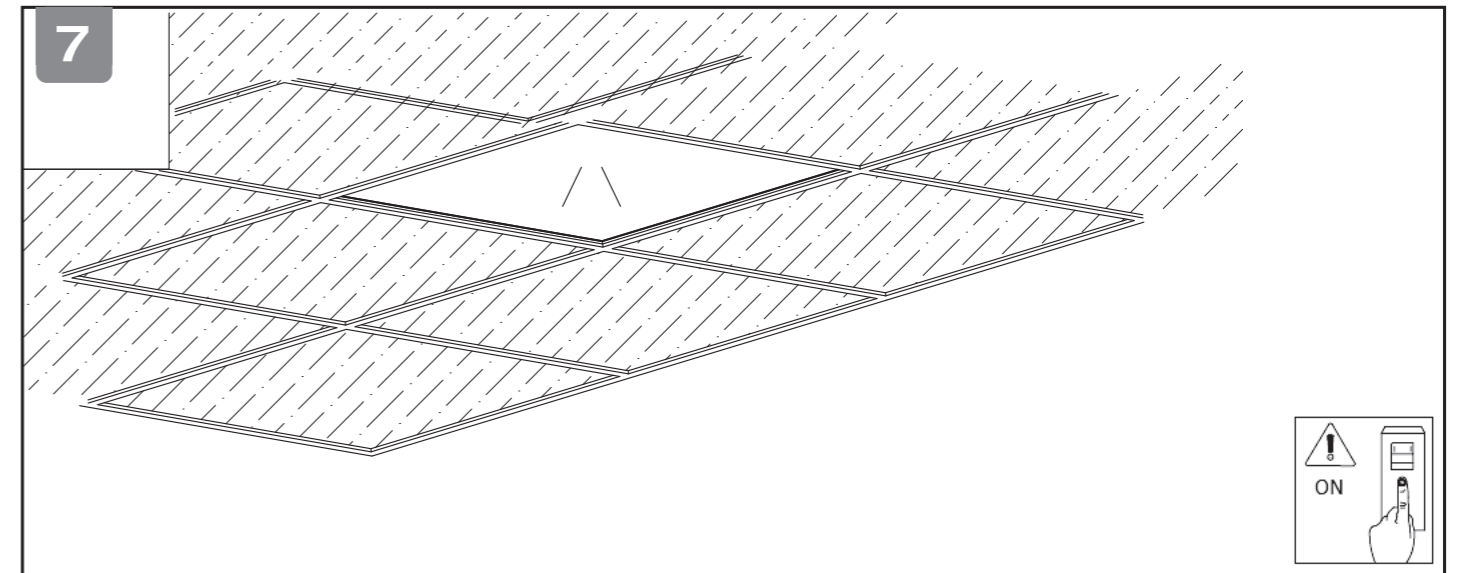
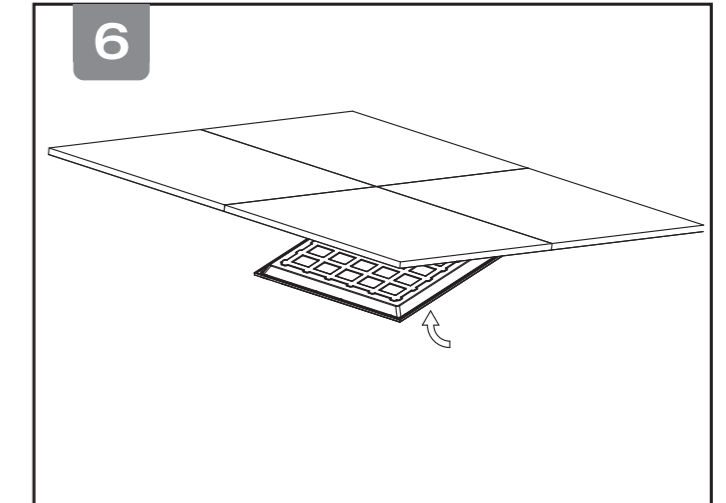
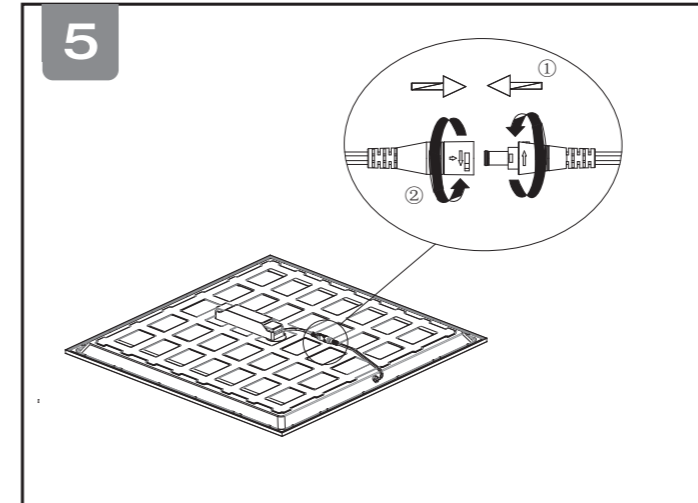
Product Code: [4L1/4013/ ]



Please Visit  
<https://4liteuk.com>  
 downloads for our warranty  
 and translations



Ansell Electrical Products Unit 6B, Stonecross Industrial Park, Yew Tree Way, Warrington, WA3 3JD  
 Ansell (Sales & Distribution) Unit 2, M2 Business Park, Duncrue Street, Belfast, BT3 9AQ  
 Ansell (Sales & Distribution) Republic of Ireland Limited Unit G1, Block G, Calmount Park, Ballymount, Dublin 12, D12 TH56  
[www.4liteuk.com](http://www.4liteuk.com)  
 Warrington Tel: +44 (0)1942 433333 Belfast Tel: +44 (0)2890 773750 International Tel: +44 (0)1942 433343 Spain Tel: 00 34 938 005642



This product contains a light source of energy efficiency class - F

Ansell Electrical Products Unit 6B, Stonecross Industrial Park, Yew Tree Way, Warrington, WA3 3JD  
 Ansell (Sales & Distribution) Unit 2, M2 Business Park, Duncrue Street, Belfast, BT3 9AQ  
 Ansell (Sales & Distribution) Republic of Ireland Limited Unit G1, Block G, Calmount Park, Ballymount, Dublin 12, D12 TH56  
[www.4liteuk.com](http://www.4liteuk.com)  
 Warrington Tel: +44 (0)1942 433333 Belfast Tel: +44 (0)2890 773750 International Tel: +44 (0)1942 433343 Spain Tel: 00 34 938 005642