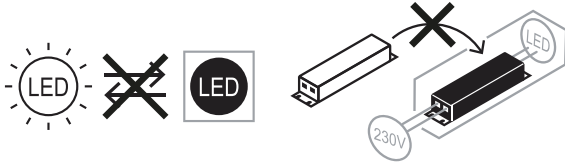


# Installation Instructions

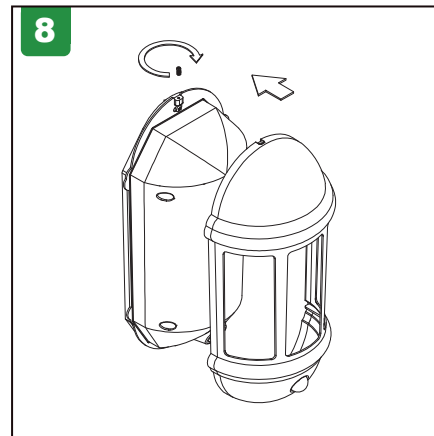
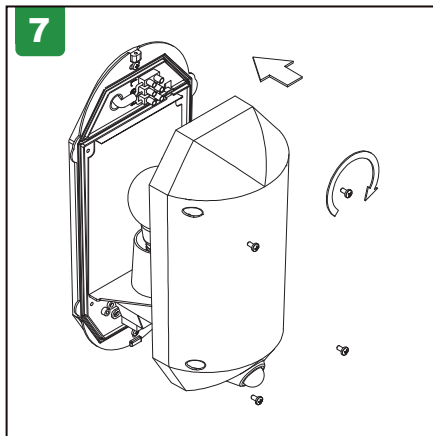
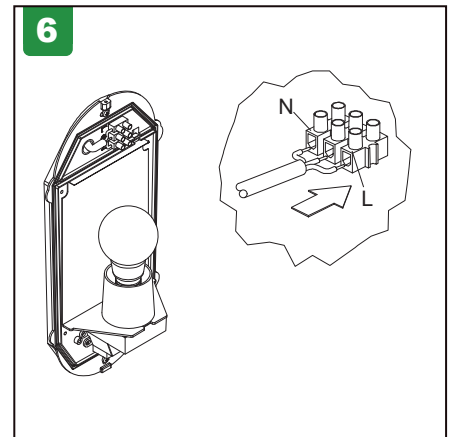
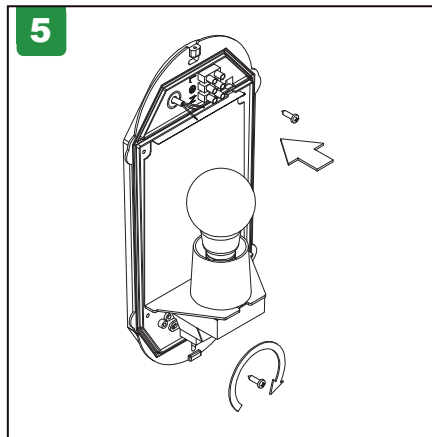
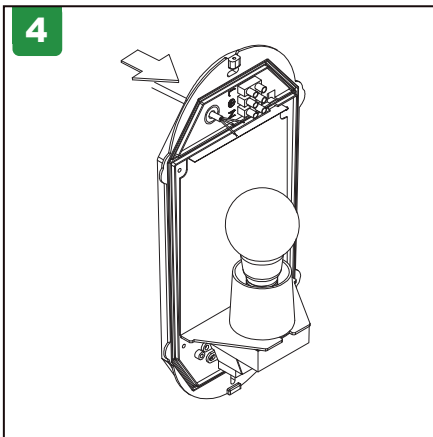
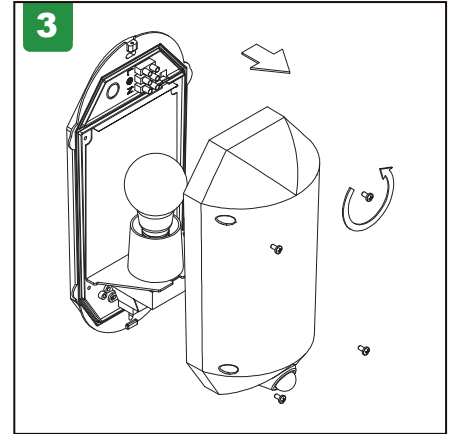
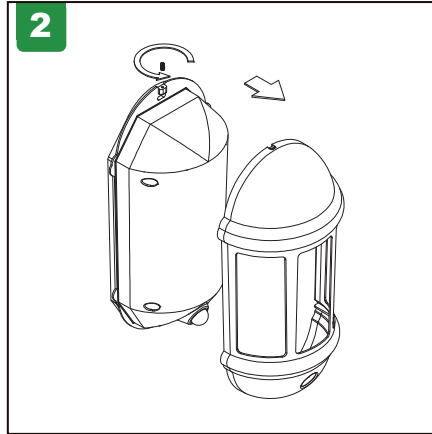
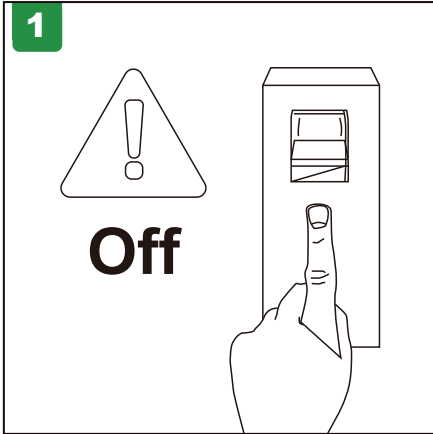
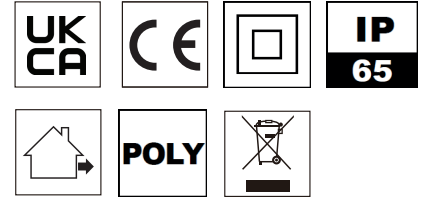
Instrucciones de instalación, Instructions d'installation, Installationsanleitung, إرشادات التركيب,  
Installatie-instructies, Instruções de instalação, Installatie-instructies,  
設置手順説明, Οδηγίες εγκατάστασης



Product Code:[4L2/3416 & 4L2/3417]



Please Visit  
<https://4liteuk.com>  
downloads for our warranty  
and translations



Ansell Electrical Products  
Unit 6B, Stonecross Industrial  
Park,  
Yew Tree Way,  
Warrington,  
WA3 3JD

Ansell (Sales & Distribution)  
Unit 2, M2 Business Park,  
Duncrue Street,  
Belfast,  
BT3 9AQ

Ansell (Sales & Distribution) Republic of Ireland Limited  
Unit G1, Block G,  
Calmount Park, Calmount Avenue  
Dublin 12,  
D12 TH56

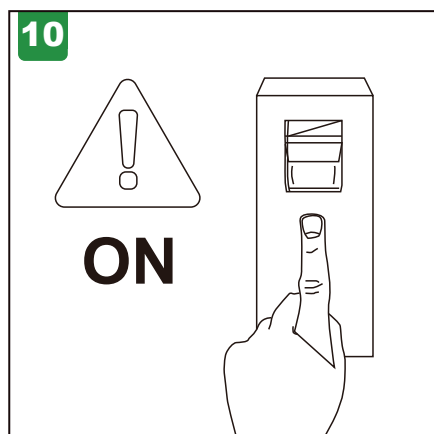
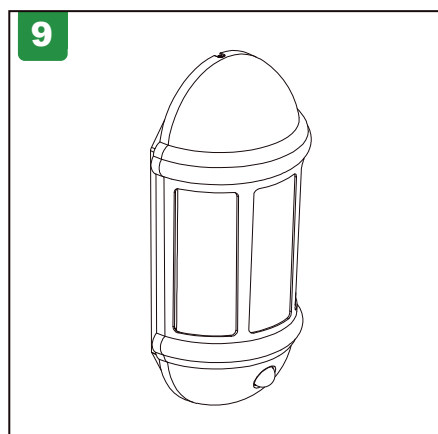
[www.4liteuk.com](http://www.4liteuk.com)

Warrington Tel: +44 (0)1942 433333

Belfast Tel: +44 (0)2890 773750

International Tel: +44 (0)1942 433343

Spain Tel: 00 34 938 005642



## Settings

Time-5±3 seconds to 5±1 minutes

Lux-5-2000 lux

This product contains a light source of energy efficiency class - G

Ansell Electrical Products  
Unit 6B, Stonecross Industrial  
Park,  
Yew Tree Way,  
Warrington,  
WA3 3JD

Ansell (Sales & Distribution)  
Unit 2, M2 Business Park,  
Duncrue Street,  
Belfast,  
BT3 9AQ

Ansell (Sales & Distribution) Republic of Ireland Limited  
Unit G1, Block G,  
Calmount Park, Calmount Avenue  
Dublin 12,  
D12 TH56

[www.4liteuk.com](http://www.4liteuk.com)