



# DATABLAD

Connection 1/2x1/2– return flow : LH or RH

Surface finish : chrome, white, nickel brushed, black matt

**Return temperature setting:**

0° | 10° | 20° | 30° | 40° | 50° |

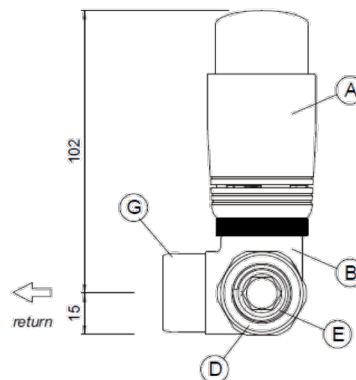
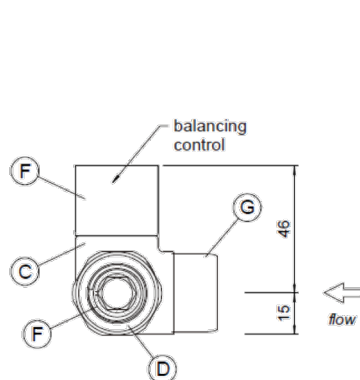
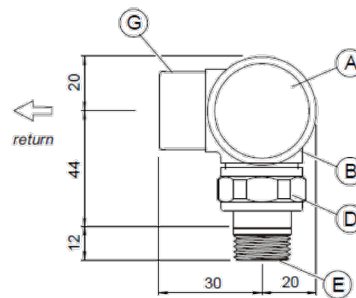
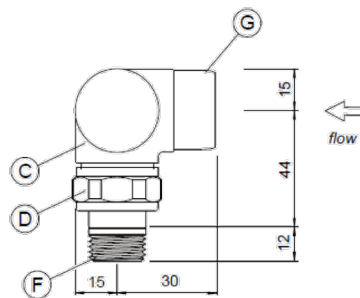
**Tools & Material Required**

Allen key - 12mm  
Adjustable Spanner

Key	Component	Qty
A	Thermostatic Cap	1
B	Thermostatic Body	1
C	Manual Body	1
D	Nut	2
E	Valve Tail (1/2" BSP)	1
F	Valve Tail (1/2" BSP)	1
G	1/2 Female	2

**Temperature Settings**

Range 0° - 10° - 20° - 30° - 40° - 50°





## DATABLAD

