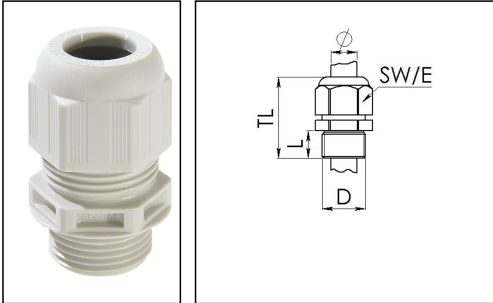


## ESKV 50

Cable gland, polyamide with short thread



Product illustrations are exemplary and may differ from the chosen product. Further variants and individual customization, we will gladly provide you on request.



Material cable gland	Polyamide
Material sealing gasket	EPDM
Protection class	IP69, IP68 (5 bar 30 min)
Temp. range min	-40 °C
Temp. range max	100 °C
Glow wire test	750 °C
Thread type	M
Ø Connection thread D	50
Lead	1,5
Length screw-in thread L	14 mm
Ø cable diameter min	21 mm
Ø cable diameter max	35 mm
Ø cable diameter UL	24,3 mm - 33,4 mm
Key width SW	55 mm
Collar diameter (E)	61 mm
Total length TL	59 mm - 72 mm
Type of cable anchorage	A
Install. torques fitting	30 N m
Install. torques cap nut	30 N m
Impact category	5
Advice	VDE - Approval: -20°C - 100°C
Equipment	Incl. connection thread gasket
Product Color	RAL 7035
Type	ESKV 50
Order no. RAL 7035	10066416

Packing unit

4

ETIM-Classification

EC000441

Recommended accessories

<b>EMUG 50</b>	10060776
<b>RDE 50</b>	10062188
<b>MFD 50/25/050</b>	10063102
<b>BS 35</b>	10064017
<b>MFD 50/09/080</b>	10064394

22.08.2016

