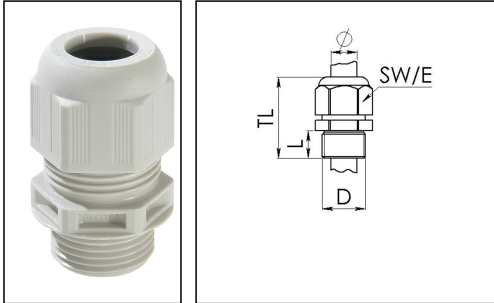


## ESKV-F 12 LG

Cable gland flame-retardant, polyamide, M12, RAL 7035



Products may differ in size, colour and appearance to those shown. If you require further information or customisation, please contact us directly.



<b>Material cable gland</b>	Polyamide, flame-retardant
<b>Material sealing gasket</b>	EPDM
<b>Protection class</b>	IP69, IP68 (5 bar 30 min)
<b>Temp. range min</b>	-40 °C
<b>Temp. range max</b>	100 °C
<b>Glow wire test</b>	960 °C
<b>Thread type</b>	M
<b>Ø Connection thread D</b>	12
<b>Lead</b>	1,5
<b>Length screw-in thread L</b>	9 mm
<b>Ø cable diameter min</b>	3 mm
<b>Ø cable diameter max</b>	7 mm
<b>Key width SW</b>	16 mm
<b>Collar diameter (E)</b>	18 mm
<b>Total length TL</b>	29 mm - 34 mm
<b>Type of cable anchorage</b>	A
<b>Install. torques fitting</b>	2 N m
<b>Install. torques fitting/EADR</b>	2 N m
<b>Install. torques cap nut</b>	2 N m
<b>Product Color</b>	RAL 7035
<b>Type</b>	ESKV-F 12 LG
<b>Order no. RAL 7035</b>	10064626
<b>Packing unit</b>	50
<b>Tariff number</b>	39269097
<b>ETIM-Classification</b>	EC000441

Your Contact:

WISKA Hoppmann GmbH

Kisdorfer Weg 28 · 24568 Kaltenkirchen · Germany

☎ +49-4191-508-0 · 📠 +49-4191-508-209

contact@wiska.de · www.wiska.com

**Recommended accessories**

<b>EMUF 12 LG</b>	10060810
<b>RDE 12</b>	10062183
<b>EADR 12</b>	10062801
<b>BS 7</b>	10064005
<b>MFD 12/04/020</b>	10064392
<b>MFD 12/02/020</b>	10100525

17.02.2026

Your Contact:

**WISKA Hoppmann GmbH**

Kisdorfer Weg 28 · 24568 Kaltenkirchen · Germany

 +49-4191-508-0 ·  +49-4191-508-209

contact@wiska.de · www.wiska.com



Your Contact:

**WISKA Hoppmann GmbH**

Kisdorfer Weg 28 · 24568 Kaltenkirchen · Germany

☎ +49-4191-508-0 · 📠 +49-4191-508-209

contact@wiska.de · www.wiska.com