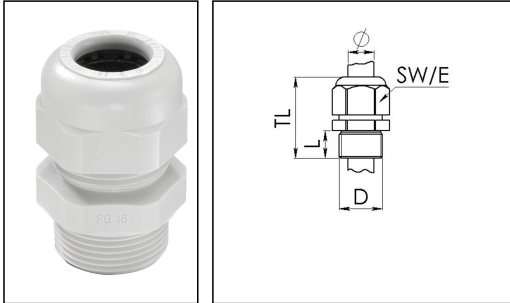


SKV 29

Cable gland, polyamide



Product illustrations are exemplary and may differ from the chosen product. Further variants and individual customization, we will gladly provide you on request.



Material cable gland	Polyamide
Material sealing gasket	EPDM
Temp. range min	-40 °C
Temp. range max	100 °C
Protection class	IP68 (5 bar 30 min)
Thread type	PG
Ø Connection thread D	29
Length screw-in thread L	12 mm
Ø cable diameter min	16 mm
Ø cable diameter max	25 mm
Key width SW	42 mm
Collar diameter (E)	46 mm
Total length TL	47 mm - 56 mm
Glow wire test	750 °C
Type of cable anchorage	A
Product Color	RAL 7035
Order no. RAL 7035	10066406
Type	SKV 29
Packing unit	20
ETIM-Classification	EC000441

Recommended accessories

MUG 29

10060676

ADR 29

10061425

BS 25

10064015

22.08.2016

