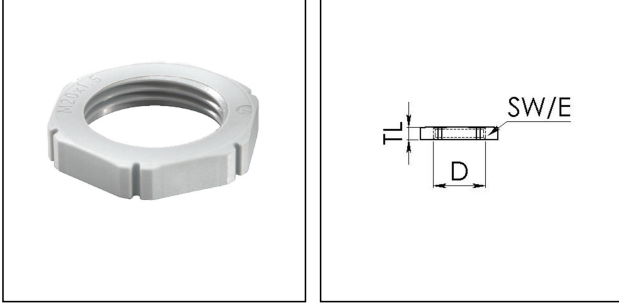


MUG 13,5

Locknut, polyamide



Product illustrations are exemplary and may differ from the chosen product. Further variants and individual customization, we will gladly provide you on request.



Material	Polyamide, fibre reinforced
Temp. range min	-40 °C
Temp. range max	100 °C
Thread type	PG
Ø Connection thread D	13,5
Total length TL	6 mm
Key width SW	27 mm
Collar diameter (E)	29 mm
Product Color	RAL 7035
Order no. RAL 7035	10060673
Type	MUG 13,5
Packing unit	100
ETIM-Classification	EC000940

22.08.2016

