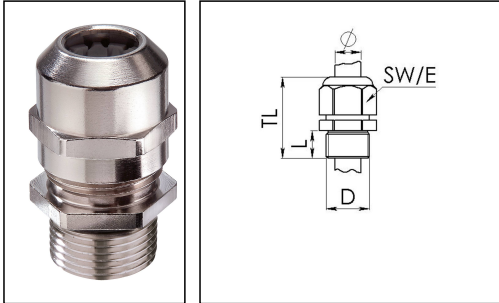


EMSKV-L 12

Cable gland, brass with long thread



Product illustrations are exemplary and may differ from the chosen product. Further variants and individual customization, we will gladly provide you on request.



Material cable gland	Brass nickel-plated
Material clamping cage	Polyamide
Material sealing gasket	EPDM
Temp. range min	-40 °C
Temp. range max	100 °C
Protection class	IP69, IP68 (5 bar 30 min)
Thread type	M
Ø Connection thread D	12
Lead	1,5
Length screw-in thread L	12 mm
Ø cable diameter min	3 mm
Ø cable diameter max	7 mm
Ø cable diameter UL	4,1 mm - 6 mm
Key width SW	16 mm
Collar diameter (E)	18 mm
Total length TL	30 mm - 37 mm
Type of cable anchorage	A
Install. torques fitting	4 N m
Install. torques cap nut	4 N m
Impact category	6
Surface	Nickel-plated
Order no. nickel-plated	10065008
Packing unit	50
Type	EMSKV-L 12
ETIM-Classification	EC000441

Recommended accessories

RDE 12	10062183
EMMU 12	10063141
BS 7	10064005
MFD 12/04/020	10064392
MFD 12/02/020	10100525

22.08.2016

