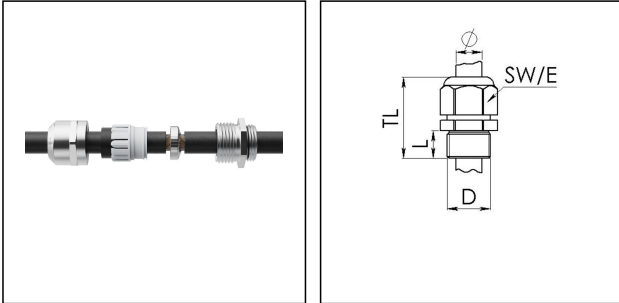


EMSKV 50 EMV-S

EMC-cable gland, brass nickel-plated with short thread, M50



Products may differ in size, colour and appearance to those shown. If you require further information or customisation, please contact us directly.



| | |
|---------------------------------|---------------------------|
| Material cable gland | Brass nickel-plated |
| Material sealing gasket | EPDM |
| Material clamping cage | Polyamide |
| Material earthing insert | Stainless steel 1.4310 |
| Temp. range min | -40 °C |
| Temp. range max | 100 °C |
| Protection class | IP68 (5 bar 30 min), IP69 |
| Thread type | M |
| Ø Connection thread D | 50 |
| Lead | 1,5 |
| Length screw-in thread L | 9 mm |
| Ø cable diameter min | 21 mm |
| Ø cable diameter max | 35 mm |
| Cable Ø shield external | 18 mm - 32 mm |
| Key width SW | 55 mm |
| Collar diameter (E) | 61 mm |
| Total length TL | 51 mm - 62 mm |
| Type of cable anchorage | A |
| Install. torques cap nut | 30 N m |
| Install. torques fitting | 30 N m |
| Impact category | 6 |
| Surface | Nickel-plated |
| Order no. nickel-plated | 10102279 |
| Type | EMSKV 50 EMV-S |
| Packing unit | 10 |

Your Contact:

WISKA Hoppmann GmbH

Kisdorfer Weg 28 · 24568 Kaltenkirchen · Germany

☎ +49-4191-508-0 · 📠 +49-4191-508-209

contact@wiska.de · www.wiska.com

| | |
|----------------------------|---------------|
| Tariff number | 85369010 |
| EAN number | 4007685046473 |
| ETIM-Classification | EC000441 |

Recommended accessories

| | |
|--------------------|----------|
| RDE 50 | 10062188 |
| EMMU-EMV 50 | 10063216 |
| BS 35 | 10064017 |

17.02.2026

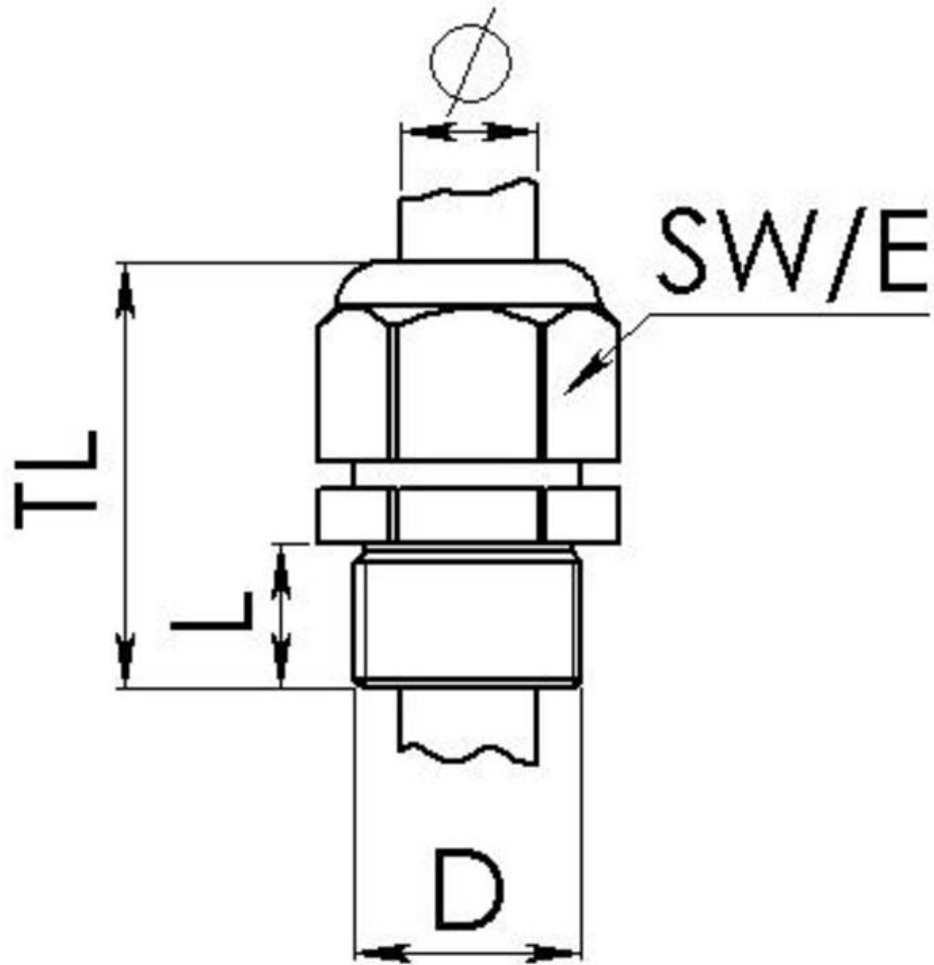
Your Contact:

WISKA Hoppmann GmbH

Kisdorfer Weg 28 · 24568 Kaltenkirchen · Germany

☎ +49-4191-508-0 · 📠 +49-4191-508-209

contact@wiska.de · www.wiska.com



Your Contact:

WISKA Hoppmann GmbH

Kisdorfer Weg 28 · 24568 Kaltenkirchen · Germany

☎ +49-4191-508-0 · 📠 +49-4191-508-209

contact@wiska.de · www.wiska.com