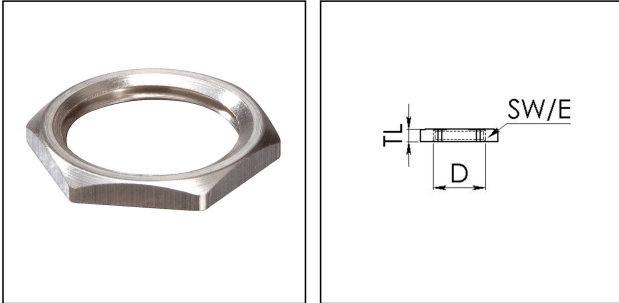


EMMU 32

Locknut, brass



Product illustrations are exemplary and may differ from the chosen product. Further variants and individual customization, we will gladly provide you on request.



| | |
|--------------------------------|---------------------|
| Material | Brass nickel-plated |
| Surface | Nickel-plated |
| Temp. range min | -200 °C |
| Temp. range max | 250 °C |
| Thread type | M |
| Ø Connection thread D | 32 |
| Lead | 1,5 |
| Key width SW | 36 mm |
| Collar diameter (E) | 40 mm |
| Total length TL | 4 mm |
| Order no. nickel-plated | 10063145 |
| Type | EMMU 32 |
| Packing unit | 100 |
| ETIM-Classification | EC000940 |

23.08.2016

