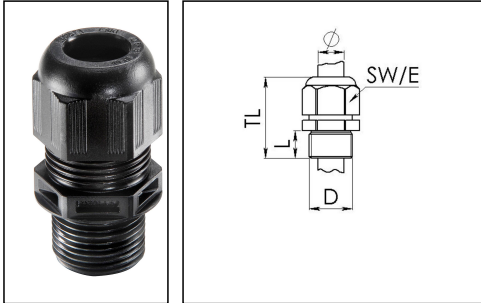


## ESKV-L 12 BK

Cable gland, polyamide, M12, RAL 9005 with long thread



Products may differ in size, colour and appearance to those shown. If you require further information or customisation, please contact us directly.



|                                      |                           |
|--------------------------------------|---------------------------|
| <b>Material cable gland</b>          | Polyamide                 |
| <b>Material sealing gasket</b>       | EPDM                      |
| <b>Protection class</b>              | IP69, IP68 (5 bar 30 min) |
| <b>Temp. range min</b>               | -40 °C                    |
| <b>Temp. range max</b>               | 100 °C                    |
| <b>Glow wire test</b>                | 750 °C                    |
| <b>Thread type</b>                   | M                         |
| <b>Ø Connection thread D</b>         | 12                        |
| <b>Lead</b>                          | 1,5                       |
| <b>Length screw-in thread L</b>      | 15 mm                     |
| <b>Ø cable diameter min</b>          | 3 mm                      |
| <b>Ø cable diameter max</b>          | 7 mm                      |
| <b>Key width SW</b>                  | 16 mm                     |
| <b>Collar diameter (E)</b>           | 18 mm                     |
| <b>Total length TL</b>               | 35 mm - 40 mm             |
| <b>Type of cable anchorage</b>       | A                         |
| <b>Install. torques fitting</b>      | 2 N m                     |
| <b>Install. torques fitting/EADR</b> | 2 N m                     |
| <b>Install. torques cap nut</b>      | 2 N m                     |
| <b>Impact category</b>               | 2                         |
| <b>Product Color</b>                 | RAL 9005                  |
| <b>Type</b>                          | ESKV-L 12 BK              |
| <b>Order no. RAL 9005</b>            | 10066500                  |
| <b>Packing unit</b>                  | 50                        |
| <b>EAN number</b>                    | 4007685665001             |

Your Contact:

WISKA Hoppmann GmbH

Kisdorfer Weg 28 · 24568 Kaltenkirchen · Germany

☎ +49-4191-508-0 · 📠 +49-4191-508-209

contact@wiska.de · www.wiska.com

|                            |          |
|----------------------------|----------|
| <b>Tariff number</b>       | 39269097 |
| <b>ETIM-Classification</b> | EC000441 |

## Recommended accessories

|                      |          |
|----------------------|----------|
| <b>EMUG 12 BK</b>    | 10061780 |
| <b>RDE 12</b>        | 10062183 |
| <b>EADR 12</b>       | 10062801 |
| <b>BS 7</b>          | 10064005 |
| <b>MFD 12/04/020</b> | 10064392 |
| <b>MFD 12/02/020</b> | 10100525 |

17.02.2026

Your Contact:

**WISKA Hoppmann GmbH**

Kisdorfer Weg 28 · 24568 Kaltenkirchen · Germany

☎ +49-4191-508-0 · 📠 +49-4191-508-209

contact@wiska.de · www.wiska.com



Your Contact:

**WISKA Hoppmann GmbH**

Kisdorfer Weg 28 · 24568 Kaltenkirchen · Germany

☎ +49-4191-508-0 · 📠 +49-4191-508-209

contact@wiska.de · www.wiska.com