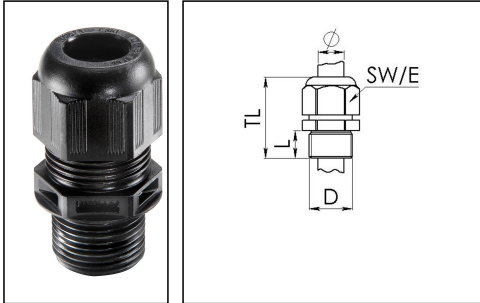


ESKV-L 16 BK

Cable gland, polyamide, M16, RAL 9005 with long thread



Products may differ in size, colour and appearance to those shown. If you require further information or customisation, please contact us directly.



Material cable gland	Polyamide
Material sealing gasket	EPDM
Protection class	IP69, IP68 (5 bar 30 min)
Temp. range min	-40 °C
Temp. range max	100 °C
Glow wire test	750 °C
Thread type	M
Ø Connection thread D	16
Lead	1,5
Length screw-in thread L	15 mm
Ø cable diameter min	4,5 mm
Ø cable diameter max	10 mm
Key width SW	20 mm
Collar diameter (E)	22 mm
Total length TL	37 mm - 43 mm
Type of cable anchorage	A
Install. torques fitting	3,5 N m
Install. torques fitting/EADR	2 N m
Install. torques cap nut	1,5 N m
Impact category	3
Product Color	RAL 9005
Type	ESKV-L 16 BK
Order no. RAL 9005	10066501
Packing unit	50
EAN number	4007685665018

Your Contact:

WISKA Hoppmann GmbH

Kisdorfer Weg 28 · 24568 Kaltenkirchen · Germany

☎ +49-4191-508-0 · 📠 +49-4191-508-209

contact@wiska.de · www.wiska.com

Tariff number	39269097
ETIM-Classification	EC000441

Recommended accessories

EMUG 16 BK	10061781
RDE 16	10062184
EADR 16	10062802
BS 10	10064008
MFD 16/02/040	10064393
MFD 16/03/021	10101014
MagikNUT 16 BK	10111060

17.02.2026

Your Contact:

WISKA Hoppmann GmbH

Kisdorfer Weg 28 · 24568 Kaltenkirchen · Germany

☎ +49-4191-508-0 · 📠 +49-4191-508-209

contact@wiska.de · www.wiska.com



Your Contact:

WISKA Hoppmann GmbH

Kisdorfer Weg 28 · 24568 Kaltenkirchen · Germany

☎ +49-4191-508-0 · 📠 +49-4191-508-209

contact@wiska.de · www.wiska.com