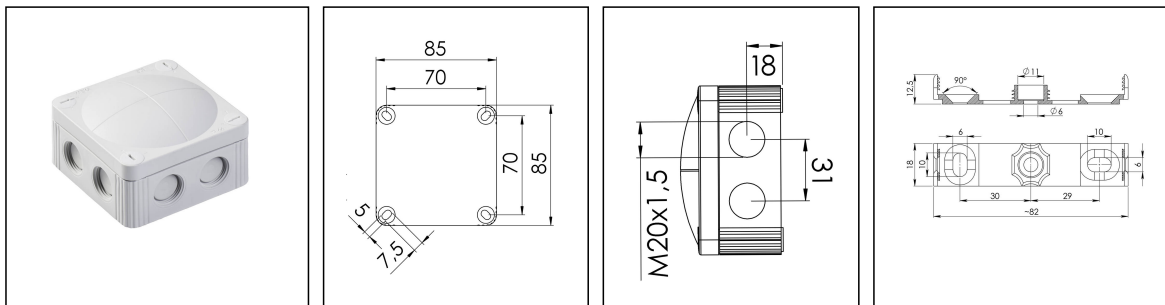


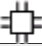
COMBI 308/5

Junction box, polypropylene



Product illustrations are exemplary and may differ from the chosen product. Further variants and individual customization, we will gladly provide you on request.



Material	Polypropylene
Material sealing gasket	TPE
Temp. range min	-30 °C
Temp. range max	100 °C
Temperatures during install.	-5 °C - 60 °C
Protection class	IP66/67
Glow wire test	750 °C
Voltage	400 V
Terminals/poles	4 mm ²
Terminals/poles	5 x 4mm ²
Fixing	4 internal openings
Ø cable diameter min	3 mm
Ø cable diameter max	12 mm
External dimensions LxWxH	85 x 85 x 51mm
Type of cable gland	M 20 x 1,5
Using for cable gland	
Product Color	RAL 7035
WISKA-Order no.	10060401
Type	COMBI 308/5
Packing unit	5
ETIM-Classification	EC002600

Remarks:

Fixing: With mounting clip or 4 internal openings outside of the sealing area

Equipment: 8 elastic self-sealing puncture-membranes for cable entry

8 intergrated M20 thread for mounting without lock nut
4 captive cover screws
including mounting clip
with terminal block 5-poles, 4mm²

Recommended accessories

SP-HKT 11/5 Terminal block	22000406
-----------------------------------	----------

Spare parts

SMB 308/407	10101293
--------------------	----------

SP-HKT 11/5 Terminal block	22000406
-----------------------------------	----------

23.08.2016

