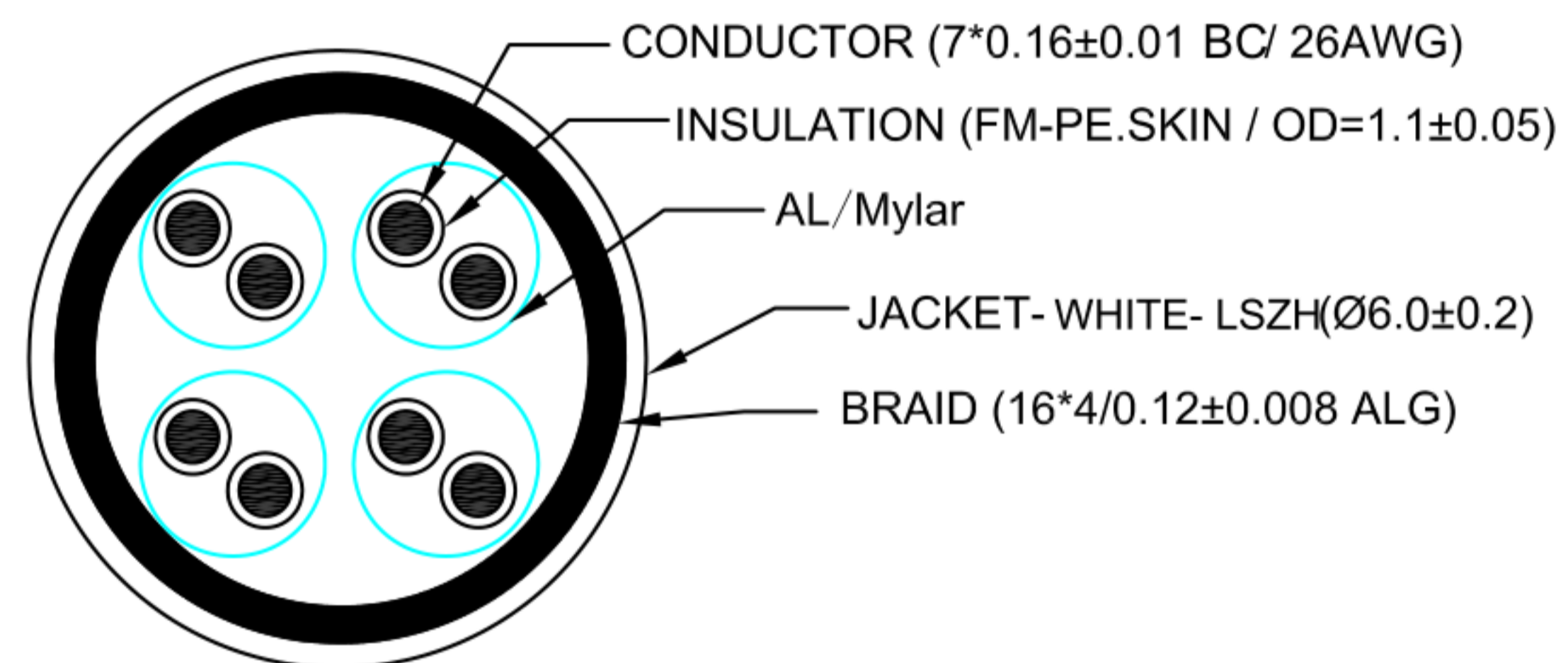
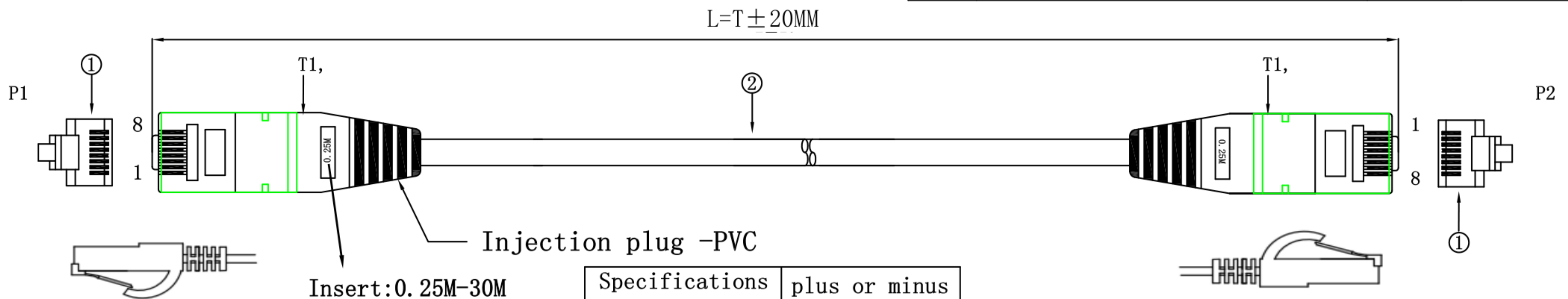


T/NO.	T1:			REVISIONS			
	T2:			REV	DESCRIPTION	DATE	APPROVED



Specifications	plus or minus
0.5M	±10mm
1.0M	±10mm
2.0M	±15mm
3.0M	±20mm

COLOUR CODE INSULATION:  
 1.BLUE\*WHITE  
 2.ORANGE\*WHITE  
 3.GREEN\*WHITE  
 4.BROWN.WHITE

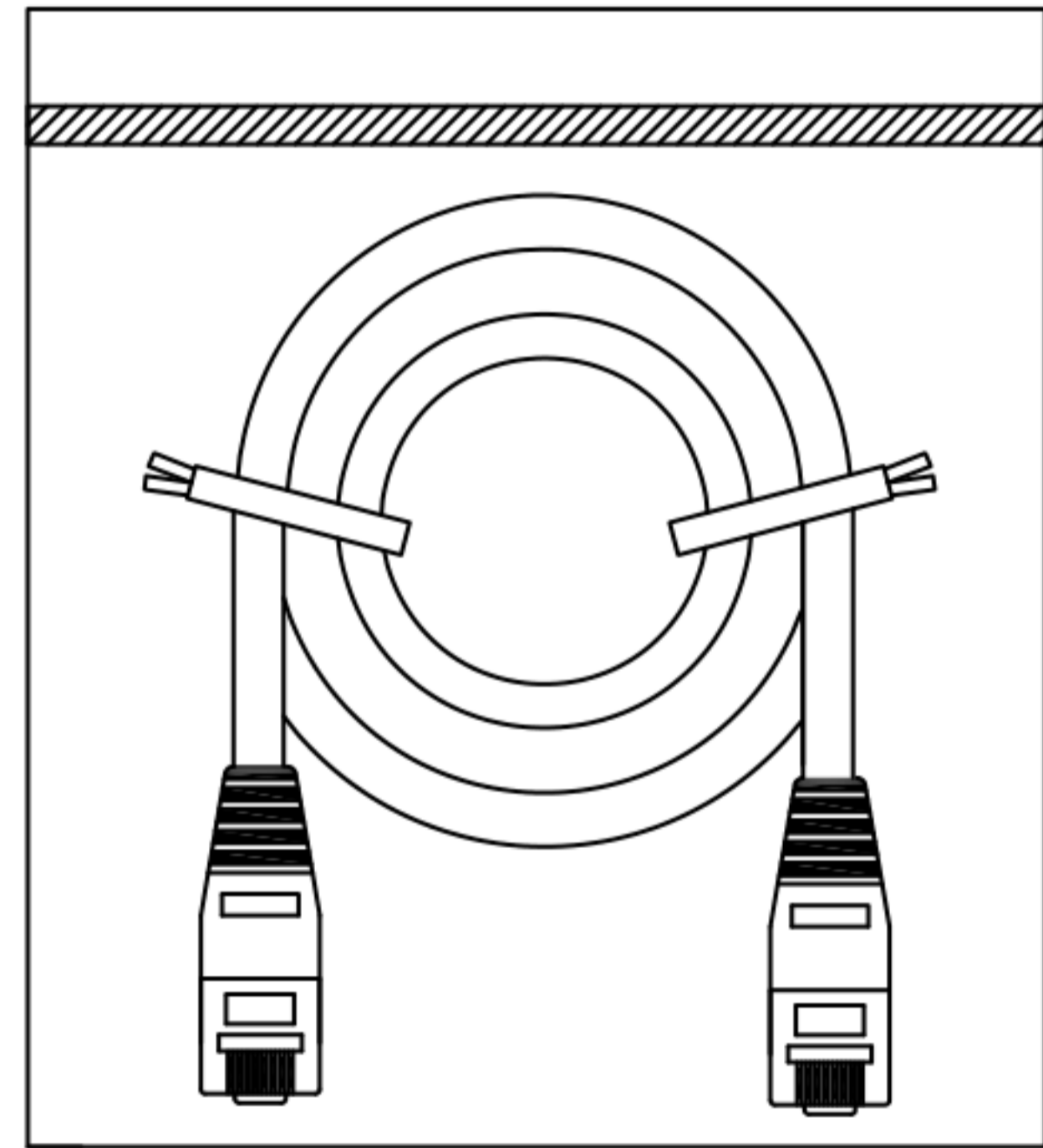
**ELECTRICAL CHARACTERISTICS:**

- 1.Rated Voltage :30V
- 2.Rated Temperature: 60°C
- 3.Impedance:100±15%.

\*These data are limited to raw cable.

**PHYSICAL PROPERTIES:**

Physical Properties Test on Jacket:( Aged Test Temperature: 100°C Time: 168h)  
 Tensile Strength: Unaged>1500PSI,  
 Aged>70% of the result with unaged specimens  
 Elongation: Unaged>100%,  
 Aged>65% of the result with unaged specimens.  
 Flexibility Test: PASS



Packing

**WIRE LIST**

P1	COLOR	P2
1	WHITE/ORANGE	1
2	ORANGE	2
3	WHITE/GREEN	3
4	BLUE	4
5	WHITE/BLUE	5
6	GREEN	6
7	WHITE/BROWN	7
8	BROWN	8
shell	BRAID+DRAIN	shell

Item	Description	QTY
1	CABLE: CAT 6A SFTP (7/0. 16BC *2C+AL) *4P+B (64/0. 12ALG) -- WHITE- LSZHOD=6.0 ± 0. 2	1
2	PHONE PLUG:CAT6-FTP RJ45 8P8C Nickel plated iron shell G/F	2
3	INJEGTON PLUG -PVC	28g
MARKING:		

DRAWN BY <b>Canace</b>		DATE <b>2026.01.19</b>	TITLE <b>Patch cord</b>	PROJECTION: 	
CHECKED BY <b>Jane</b>		DATE <b>2026.01.19</b>			PART NUMBER <b>CAT6A SFTP LSZH</b>
APPROVED BY <b>Jack</b>		DATE <b>2026.01.19</b>			DRAWING NUMBER <b>A0</b>
TOLERANCES UNLESS NOTED:			REV. <b>A0</b>	UNITS: <b>mm</b>	
			SCALE: <b>NONE</b>	SIZE: <b>A4</b>	
			SHEET: <b>1/1</b>		