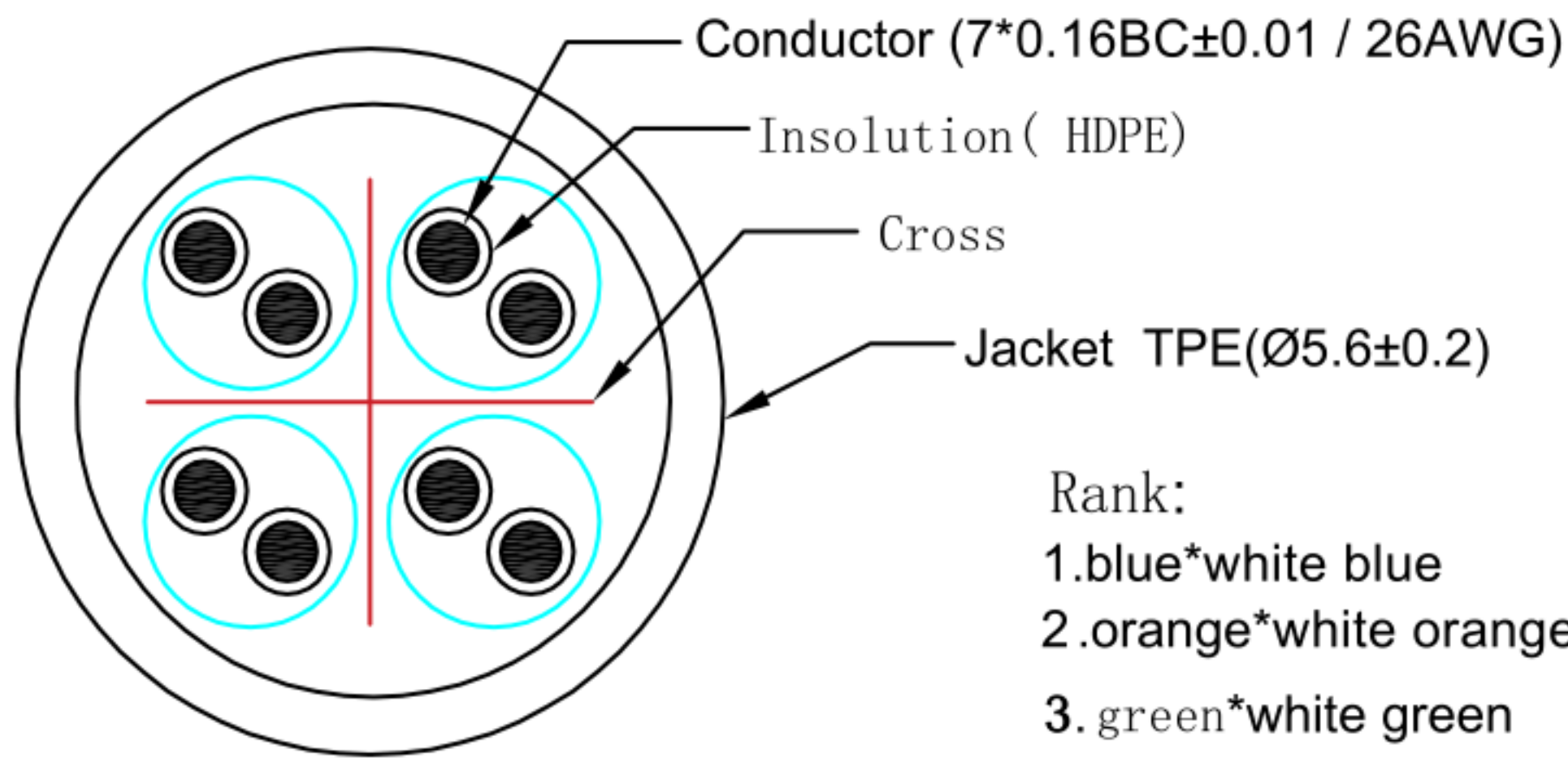
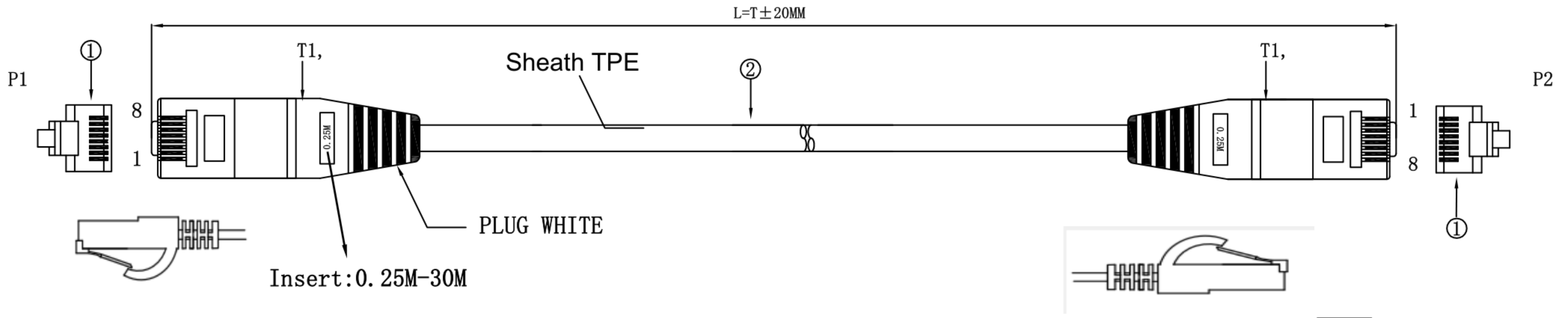


T/NO.	...		
	T2:		

REV	DESCRIPTION	DATE	APPROVED



- Rank:
1. blue\*white blue
  2. orange\*white orange
  3. green\*white green
  4. brown.\*white brown

**ELECTRICAL CHARACTERISTICS:**

1. 100% Pass, Open Circuit, Short Circuit
  2. On-resistance: 4-5Ω
  3. High Voltage Testing 300V.
- \*All Comply ROHS REACH..

**PHYSICAL PROPERTIES:**

Physical Properties Test on Jacket:( Aged Test Temperature: 100°C Time: 168h)  
 Tensile Strength: Unaged>1500PSI,  
 Aged>70% of the result with unaged specimens  
 Elongation: Unaged>100%,  
 Aged>65% of the result with unaged specimens.  
 Flexibility Test: PASS

rank		
P1	color	P2
1	white orange	1
2	orange	2
3	white green	3
4	blue	4
5	white blue	5
6	green	6
7	white brown	7
8	brown	8

Item	Description	QTY
1	CABLE:CAT6 UTP (7/0.16BC*2C)*4P- OD=5.6 WHITE TPE	1
2	PHONE PLUG:CAT6-UTP RJ45 8P8C Gold-plated P needle G/F	2
3	INJECTON PLUG -PVC-WHITE	28g

DRAWN BY <b>Canace</b>		DATE <b>2026. 01. 19</b>	TITLE <b>Patch cord</b>	PROJECTION: 
CHECKED BY <b>Jane</b>		DATE <b>2026. 01. 19</b>		
APPROVED BY <b>Jack</b>		DATE <b>2026. 01. 19</b>	PART NUMBER <b>CAT-6-UTP/26-2</b>	UNITS: mm
TOLERANCES UNLESS NOTED:			DRAWING NUMBER	SCALE: NONE
			REV. A0	SIZE: A4
				SHEET: 1/1