

**Driver LC 200W 24V SC SNC2**

essence series 24 V – not dimmable (IP20)

**Product description**

- \_ Constant voltage LED driver
- \_ Output voltage 24 V
- \_ Max. output power 200 W
- \_ Dimmable via external PWM LED dimmers attached on output side
- \_ For luminaires of protection class I and protection class II
- \_ The strain relief is included in both packaging variants. In the single packaging (SP) each Driver has also an individual packaging
- \_ Nominal lifetime up to 50,000 h
- \_ 5 years guarantee (conditions at <https://www.tridonic.com/en/int/services/manufacturer-guarantee-conditions>)

**Typical applications**

- \_ Cove lighting, facade accent lighting, ceiling integration, refrigerated displays

**Technical details**

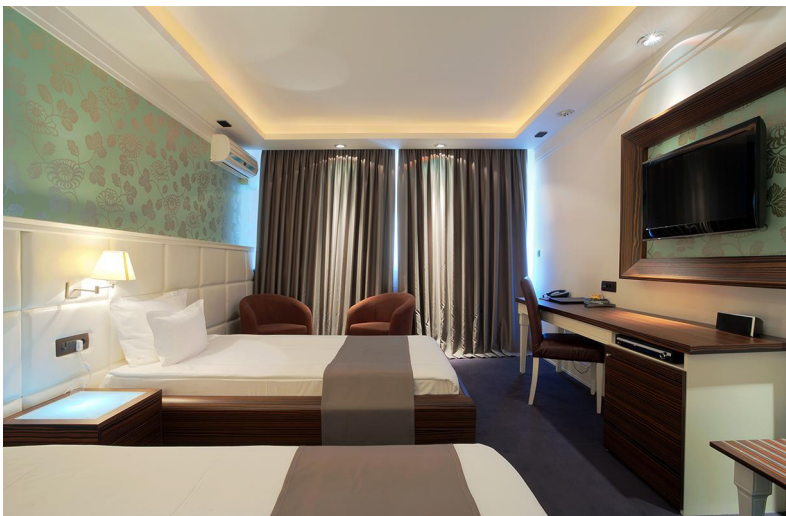
- \_ 24 V, 200 W
- \_ Small design (325 x 43 x 30 mm) with stretched-compact strain relief
- \_ Output LF voltage ripple (< 120 Hz)  $\pm 1.5\%$
- \_ Power input on stand-by < 0.5 W
- \_ Small cross section
- \_ Push terminals for simple wiring

**System solution**

- \_ Tridonic LLE-FLEX ADV G2 600, 1,200, 1,800 lm/m
- \_ Tridonic LLE-FLEX EXC 600, 1,200, 1,800, 2,500 lm/m
- \_ In connection with Flex accessories wire to PCB plug

**Website**

<http://www.tridonic.com/87501053>



Linear



High bay



Decorative



Downlights



Spotlights



Free-standing



Area



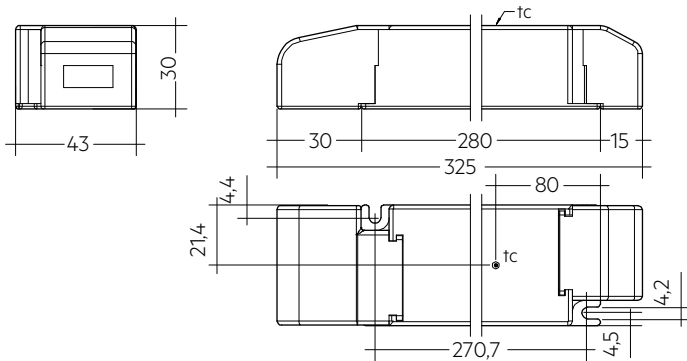
Floor | Wall



Street

**Driver LC 200W 24V SC SNC2**

essence series 24 V – not dimmable (IP20)

**Ordering data**

Type	Article number	Packaging, carton	Packaging, pallet	Packaging, high volume	Weight per pc.
<b>Multi packaging</b>					
LC 200W 24V SC SNC2	87501053	10 pc(s).	80 pc(s).	1,040 pc(s).	0.465 kg
<b>Single packaging</b>					
LC 200W 24V SC SNC2 SP	87501057	20 pc(s).	160 pc(s).	960 pc(s).	0.505 kg

**Technical data**

Rated supply voltage	220 – 240 V
AC voltage range	198 – 264 V
Mains frequency	50 / 60 Hz
Overvoltage protection	320 V AC, 1 h
Typ. rated current (at 230 V, 50 Hz, full load) <sup>①</sup>	950 mA
Max. input power	216 W
Typ. efficiency (at 230 V, 50 Hz, full load)	92.5 %
$\lambda$ over full operating range (max.) <sup>①</sup>	0.98
$\lambda$ over full operating range (min.)	0.93C
Typ. input current in no-load operation	< 87 mA
Typ. input power in no-load operation	< 0.5 W
In-rush current (peak / duration)	98 A / 112 $\mu$ s
THD (at 230 V, 50 Hz, full load) <sup>①</sup>	< 10 %
Output P <sub>ST_LM</sub> (at full load)	$\leq$ 1
Output SVM (at full load)	$\leq$ 0.4
Starting time (at 230 V, 50 Hz, full load) <sup>①</sup>	< 0.5 s
Turn off time (at 230 V, 50 Hz, full load)	< 0.5 s
Hold on time at power failure (output)	0 s
Output voltage tolerance	$\pm$ 1 V
Output LF voltage ripple (< 120 Hz)	$\pm$ 1.5 %
Max. output voltage (U-OUT)	25 V
Burst capability	1 kV
Mains surge capability (between L - N)	1 kV
Mains surge capability (between L/N - PE)	2 kV
Type of protection	IP20
Lifetime	up to 50,000 h
Guarantee (conditions at www.tridonic.com)	5 Year(s)
Dimensions L x W x H	325 x 43 x 30 mm

**Approval marks****Standards**

EN 55015, EN 61000-3-2, EN 61000-3-3, EN 61347-1, EN 61347-2-13, EN 62384, EN 61547, IEC 60335-1, IEC 60335-2-89

## Specific technical data

Type	Load	Output voltage	Output current	Max. output power	Typ. power consumption	Typ. current consumption	tc point max.	Ambient temperature ta
LC 200W 24V SC SNC2	30 %	24 V	2,500 mA	60 W	68.9 W	319 mA	80 °C	-20 ... +50 °C
LC 200W 24V SC SNC2	40 %	24 V	3,333 mA	80 W	89.4 W	405 mA	80 °C	-20 ... +50 °C
LC 200W 24V SC SNC2	50 %	24 V	4,167 mA	100 W	110.2 W	493 mA	80 °C	-20 ... +50 °C
LC 200W 24V SC SNC2	60 %	24 V	5,000 mA	120 W	131.0 W	581 mA	80 °C	-20 ... +50 °C
LC 200W 24V SC SNC2	70 %	24 V	5,833 mA	140 W	151.8 W	671 mA	85 °C	-20 ... +50 °C
LC 200W 24V SC SNC2	80 %	24 V	6,666 mA	160 W	173.0 W	762 mA	85 °C	-20 ... +50 °C
LC 200W 24V SC SNC2	90 %	24 V	7,500 mA	180 W	194.1 W	853 mA	88 °C	-20 ... +50 °C
LC 200W 24V SC SNC2	100 %	24 V	8,333 mA	200 W	216.0 W	948 mA	88 °C	-20 ... +45 °C
LC 200W 24V SC SNC2 SP	30 %	24 V	2,500 mA	60 W	68.9 W	319 mA	80 °C	-20 ... +50 °C
LC 200W 24V SC SNC2 SP	40 %	24 V	3,333 mA	80 W	89.4 W	405 mA	80 °C	-20 ... +50 °C
LC 200W 24V SC SNC2 SP	50 %	24 V	4,167 mA	100 W	110.2 W	493 mA	80 °C	-20 ... +50 °C
LC 200W 24V SC SNC2 SP	60 %	24 V	5,000 mA	120 W	131.0 W	581 mA	80 °C	-20 ... +50 °C
LC 200W 24V SC SNC2 SP	70 %	24 V	5,833 mA	140 W	151.8 W	671 mA	85 °C	-20 ... +50 °C
LC 200W 24V SC SNC2 SP	80 %	24 V	6,666 mA	160 W	173.0 W	762 mA	85 °C	-20 ... +50 °C
LC 200W 24V SC SNC2 SP	90 %	24 V	7,500 mA	180 W	194.1 W	853 mA	88 °C	-20 ... +50 °C
LC 200W 24V SC SNC2 SP	100 %	24 V	8,333 mA	200 W	216.0 W	948 mA	88 °C	-20 ... +45 °C

① Valid at 100 % dimming level.

## 1. Standards

EN 55015  
 EN 61000-3-2  
 EN 61000-3-3  
 EN 61347-1  
 EN 61347-2-13  
 EN 62384  
 EN 61547  
 IEC 60335-1  
 IEC 60335-2-89

### 1.1 Glow wire test

according to EN 61347-1 with increased temperature of 850 °C passed.

## 2. Thermal details and lifetime

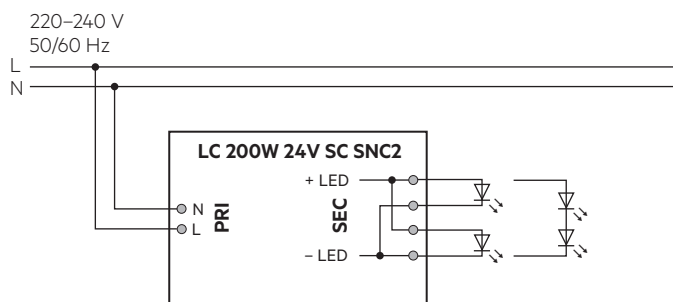
### 2.1 Expected lifetime

Expected lifetime					
Type	Output load	ta	40 °C	45 °C	50 °C
LC 200W 24V SC SNC2	< 120 W	tc	70°C	75°C	80°C
		Lifetime	100,000 h	100,000 h	10,000 h
	> 120 ... ≤ 160 W	tc	75°C	80°C	85°C
		Lifetime	100,000 h	100,000 h	90,000 h
	> 160 ... ≤ 180 W	tc	78°C	83°C	88°C
		Lifetime	100,000 h	75,000 h	50,000 h
> 180 ... ≤ 200 W	tc	83°C	88°C	–	
	Lifetime	60,000 h	45,000 h	–	

The LED control gear is designed for a lifetime stated above under reference conditions and with a failure probability of less than 10 %. The relation of tc to ta temperature depends also on the luminaire design. If the measured tc temperature is approx. 5 K below tc max., ta temperature should be checked and eventually critical components (e.g. ELCAP) measured. Detailed information on request.

## 3. Installation / wiring

### 3.1 Circuit diagram



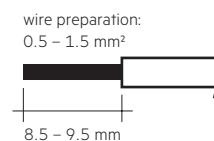
Recommendation to check glowing at standby in combination with class I luminaires.

### 3.2 Wiring type and cross section

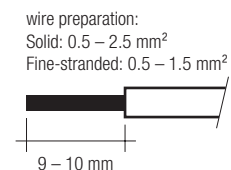
For wiring use stranded wire with ferrules or solid wire from 0.5 – 1.5 mm<sup>2</sup>. Strip 8.5 – 9.5 mm of insulation from the cables to ensure perfect operation of the push-wire terminals.

For wiring use stranded wire with ferrules from 0.5 – 1.5 mm<sup>2</sup> or with solid wire from 0.5 – 2.5 mm<sup>2</sup>. Strip 9 – 10 mm of insulation from the cables to ensure perfect operation of the push-wire terminals.

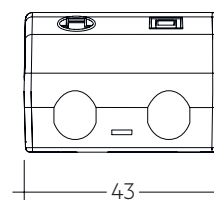
#### Input wiring



#### Output wiring

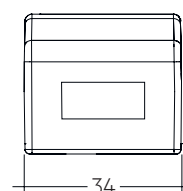


#### Primary strain relief for cables with bigger cable sheath



Permissible cable jacket diameter: 2.2 – 9 mm

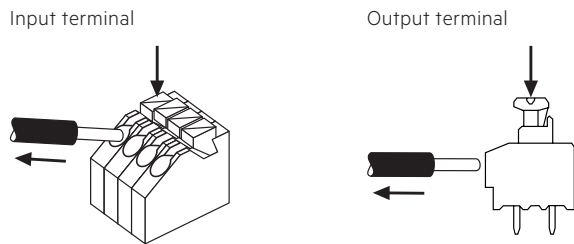
#### Secondary strain relief for cable with smaller cable sheath



Permissible cable jacket diameter: 3 – 9 mm

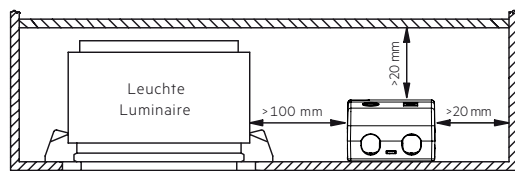
### 3.3 Release of the wiring

Press down the "push button" and remove the cable from front.



### 3.4 Fixing conditions when using as independent Driver with Clip-On

Dry, acidfree, oilfree, fatfree. It is not allowed to exceed the maximum ambient temperature ( $t_a$ ) stated on the device. Minimum distances stated below are recommendations and depend on the actual luminaire. Is not suitable for fixing in corner.



Device not suitable for covering with thermally insulating material according to IEC 60598-1 Ed.9

### 3.5 Wiring guidelines

- The cables should be run separately from the mains connections and mains cables to ensure good EMC conditions.
- The LED wiring should be kept as short as possible to ensure good EMC. The typical secondary cable length is 2 m (4 m circuit).
- To comply with the EMC regulations run the secondary wires (LED module) in parallel.
- The LED driver has no inverse-polarity protection on the secondary side. Wrong polarity can damage LED modules with no inverse-polarity protection.
- Wrong wiring of the LED driver can lead to malfunction or irreparable damage.
- To avoid damage of the Driver, the wiring must be protected against short circuits to earth (sharp edged metal parts, metal cable clips, louver, etc.).

### 3.6 Installation instructions

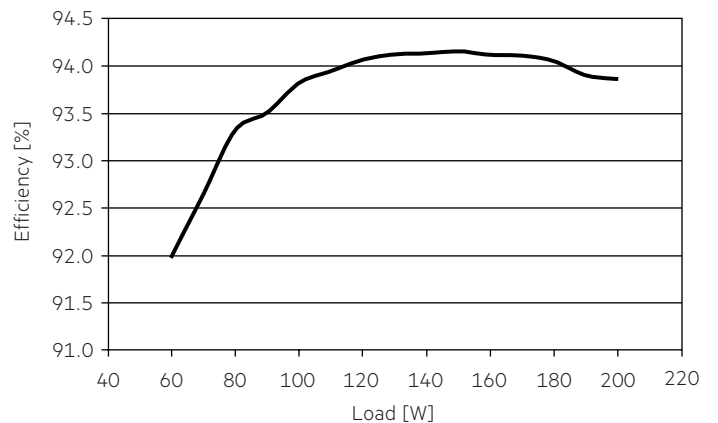
The LED module and all contact points within the wiring must be sufficiently insulated against 3 kV surge voltage. Air and creepage distance must be maintained.

### 3.7 Mounting of device

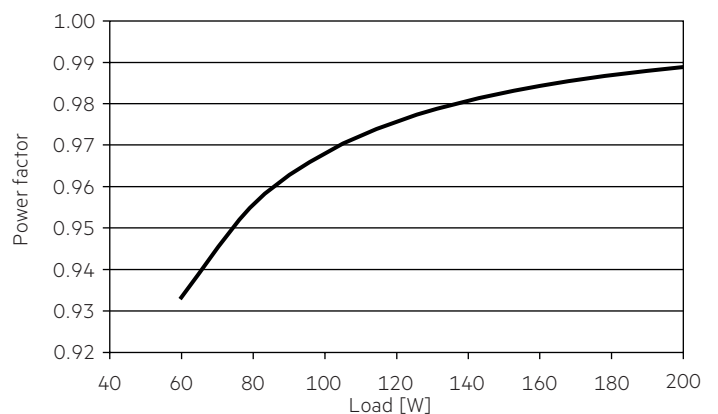
Max. torque for fixing: 0.5 Nm/M4

## 4. Electrical values

### 4.1 Efficiency vs. load

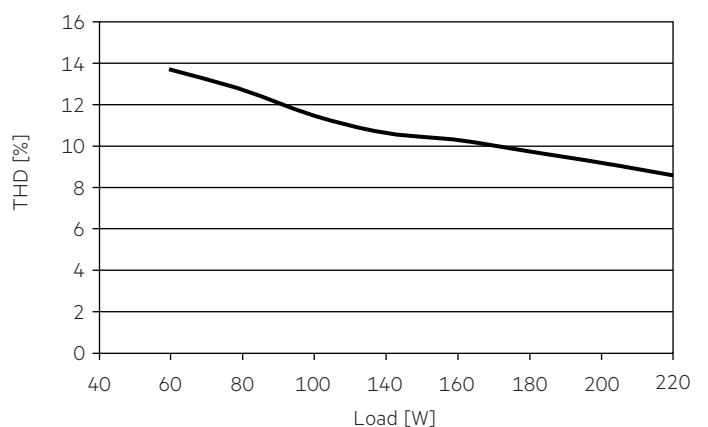


### 4.2 Power factor vs. Load



### 4.3 THD vs. Load

THD without harmonic < 5 mA (0.6 %) of the input current:



#### 4.4 Maximum loading of automatic circuit breakers in relation to inrush current

Automatic circuit breaker type	C10	C13	C16	C20	B10	B13	B16	B20	Inrush current	
Installation Ø	1.5 mm <sup>2</sup>	1.5 mm <sup>2</sup>	2.5 mm <sup>2</sup>	2.5 mm <sup>2</sup>	1.5 mm <sup>2</sup>	1.5 mm <sup>2</sup>	2.5 mm <sup>2</sup>	2.5 mm <sup>2</sup>	$I_{max}$	time
<b>LC 200W 24V SC SNC2</b>	10	13	17	22	6	8	10	13	98 A	112 µs

These are max. values calculated out of inrush current! Please consider not to exceed the maximum rated continuous current of the circuit breaker.

Calculation uses typical values from ABB series S200 as a reference.

Actual values may differ due to used circuit breaker types and installation environment.

#### 4.5 Harmonic distortion in the mains supply (at 230 V / 50 Hz and full load) in %

	THD	3.	5.	7.	9.	11.
<b>LC 200W 24V SC SNC2</b>	< 10	< 10	< 5	< 2	< 2	< 2

Acc. to 61000-3-2. Harmonics < 5 mA or < 0.6 % (whatever is greater) of the input current are not considered for calculation of THD.

## 5. Functions

### 5.1 Overload protection

If the maximum load is exceeded by a defined internal limit, the LED will flicker, and output voltage will be reduced.

When fault is removed, the driver can go back to work automatically without resetting input main power.

### 5.2 Overtemperature protection

The LED driver is protected against temporary thermal overheating. If the temperature limit is exceeded the LED will flicker, and restart automatically after the driver cold down. The temperature protection is activated approx. + 15 °C above T<sub>c</sub> max.

### 5.3 Short-circuit behaviour

In case of a short circuit at the LED output the LED output is switched off. When fault is removed, the driver can go back to work automatically without resetting input main power.

### 5.4 No-load operation

The LED driver will not be damaged in the no-load operation. When the output is floating and doesn't connect the LED modules, the output voltage will keep the max. voltage (< 25 V). After connecting the LED load, the driver works normally without resetting the main power.

### 5.5 Hot plug-in

Hot plug-in is supported.  
When connecting an LED load, restart the device to activate the LED output.

### 5.6 Use of PWM dimmers

PWM dimmers can be used to dim the attached LED module.

## 6. Miscellaneous

### 6.1 Insulation and electric strength testing of luminaires

Electronic devices can be damaged by high voltage. This has to be considered during the routine testing of the luminaires in production.

According to IEC 60598-1 Annex Q (informative only!) or ENEC 303-Annex A, each luminaire should be submitted to an insulation test with 500 V<sub>DC</sub> for 1 second. This test voltage should be connected between the interconnected phase and neutral terminals and the earth terminal.  
The insulation resistance must be at least 2 MΩ.

As an alternative, IEC 60598-1 Annex Q describes a test of the electrical strength with 1500 V<sub>AC</sub> (or 1.414 x 1500 V<sub>DC</sub>). To avoid damage to the electronic devices this test must not be conducted.

### 6.2 Conditions of use and storage

Humidity: 5 % up to max. 85 %, not condensed (max. 56 days/year at 85 %)

Storage temperature: -40 °C up to max. +80 °C

The devices have to be acclimatised to the specified temperature range (t<sub>a</sub>) before they can be operated.

The LED driver is declared as inbuilt LED controlgear, meaning it is intended to be used within a luminaire enclosure.

If the product is used outside a luminaire, the installation must provide suitable protection for people and environment (e.g. in illuminated ceilings).

### 6.3 Maximum number of switching cycles

All LED driver are tested with 50,000 switching cycles.

### 6.4 Additional information

Additional technical information at [www.tridonic.com](http://www.tridonic.com) → Technical Data

Lifetime declarations are informative and represent no warranty claim.  
No warranty if device was opened.