

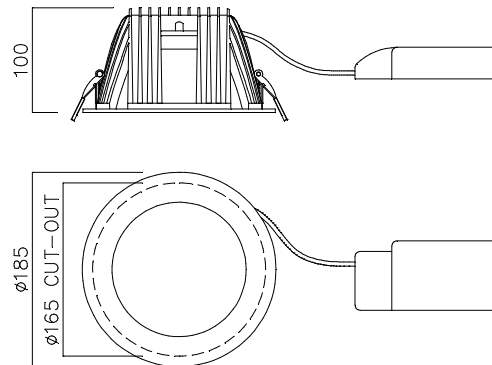
WESTPORT LED DOWNLIGHTER INSTRUCTIONS (SUPPLIED AS SEPARATE HEAD UNIT & LED DRIVERS) Issue 01 on 21st June 2019

THANK YOU for buying this product. To help ensure it gives complete satisfaction please install it according to these instructions and then pass the instructions to the appropriate person for retention and future reference.

SAFETY This is a mains powered product. It is designed to be installed by suitably qualified personnel only and in accordance with the applicable building and electrical regulations. Before installation or maintenance the electrical supply to the product must be isolated.

INSTALLATION SUPPORT If installation advice or accessories are required please also contact us at the above address. We will do our best to help. When reporting a suspected fault or seeking installation support the problem is likely to be resolved most quickly if you have full product details to-hand, as well as details of when and where it was purchased.

DIMENSIONS



INSTALLATION

1. Connect your chosen driver option to your mains rated supply (and DALI signal cables if dimmable):

Fixed Output c/w 3-Pole Connector Block

- i. Unclip the cover of the connector block
- ii. Route the supply cable to the piano key terminals & terminate, ensuring correct polarity is observed. This is a Class 2 rated product so no earth is required.
- iii. Fit the cable clamp to restrain the cable.
- iv. Refit the cover of the connector block.

DALI dimmable c/w 5-Pole Connector Block

- v. Unclip the cover of the connector block
- vi. Route the supply cable & DALI signal cables to the piano key terminals & terminate, ensuring correct polarity is observed. This is a Class 2 rated product so no earth is required.
- vii. Fit the cable clamp to restrain the cable.
- viii. Refit the cover of the connector block.

2. Locate the LED driver unit through the hole into the ceiling void. It should be placed in a suitably ventilated area to ensure prolonged life.

Note! THE DRIVER MUST NOT BE POSITIONED ON TOP OF LUMINAIRE

3. Connect the main head unit to the LED driver using the push & twist connectors.
4. On the main fitting head unit, push & hold the mounting springs upwards.
5. Insert through the mounting hole & allow the springs to locate onto the top of the mounting surface to secure.
Note! ENSURE THAT THE TOP OF THE LUMINAIRE & THE DRIVER ARE NOT COVERED IN ANY WAY AS IT CAN AFFECT PERFORMANCE & LIFETIME

6. Reconnect power supply & check for correct operation.

Note! Luminaires fitted with electronic drivers are exempt from insulation resistance tests as this will cause damage to the electronic components.