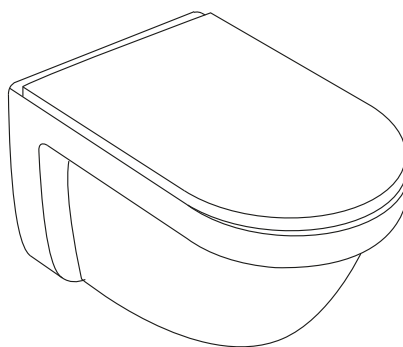
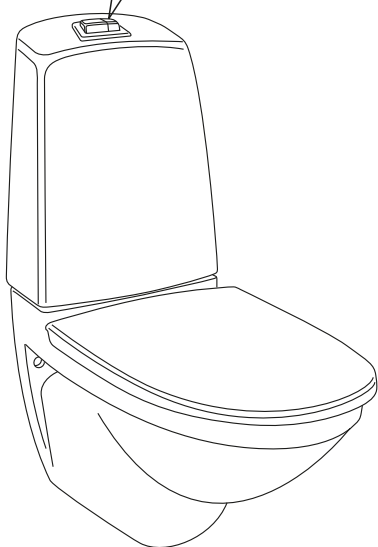
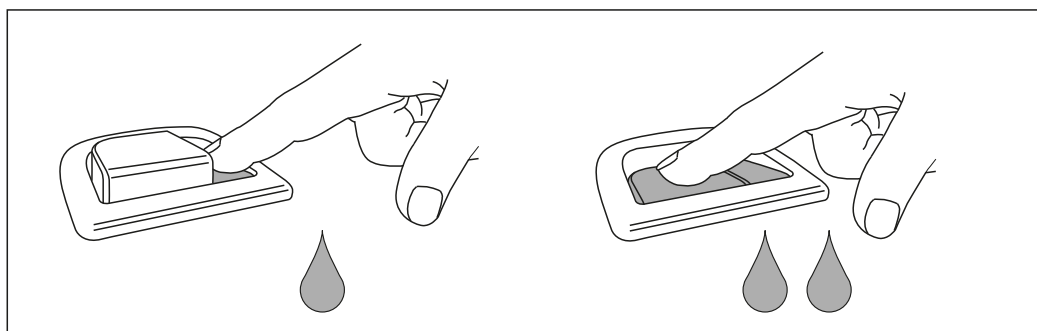




- SE MONTERINGSANVISNING VÄGGHÄNGD WC
- DK MONTERINGSVEJLEDNING VÆGMONTERET WC
- NO MONTERINGSANVISNING VEGGHENGT WC
- FI ASENNUSOHJE, SEINÄ-WC
- EN INSTALLATION INSTRUCTIONS WALL HUNG WC
- EE PAIGALDUSJUHISED SEINA WC-DELE
- LV UZSTĀDĪŠANAS INSTRUKCIJA PIEKARAMAM PODAM
- LT MONTUOJAMO Į SIENĄ UNITAZO MONTAVIMO INSTRUKCIJA

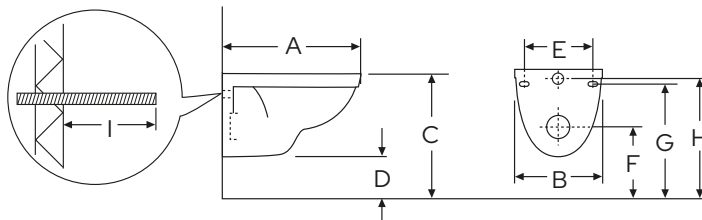
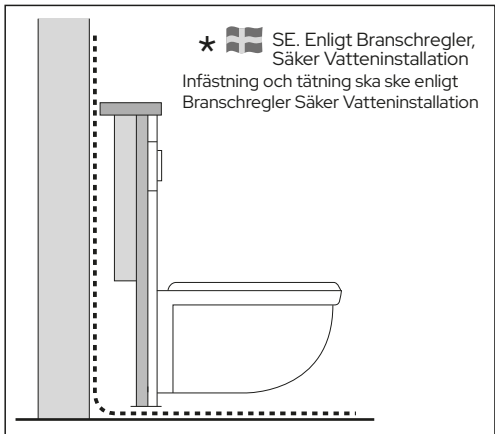


CE

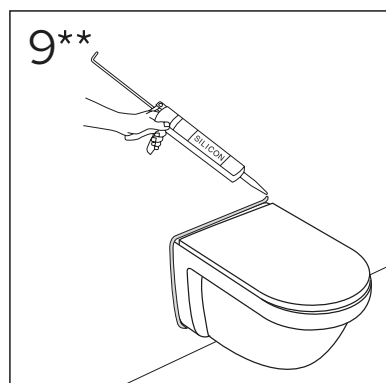
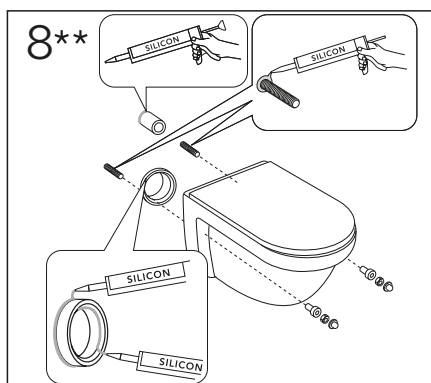
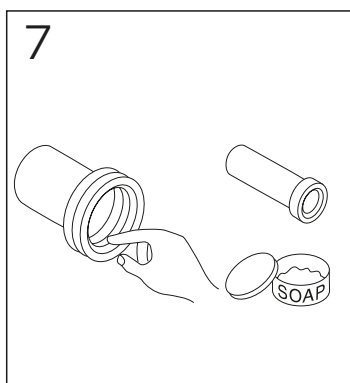
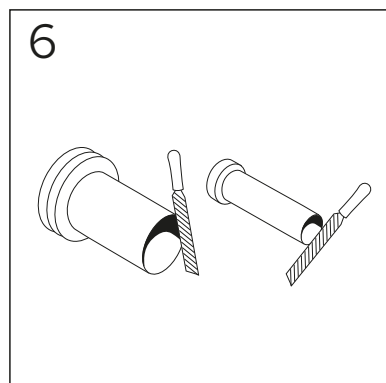
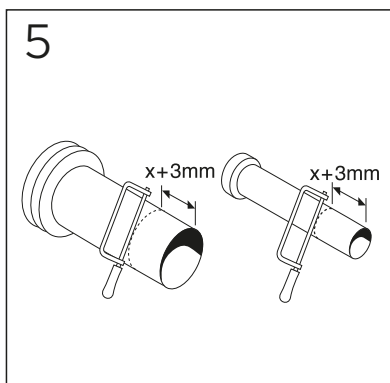
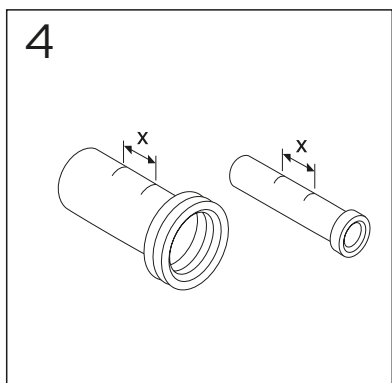
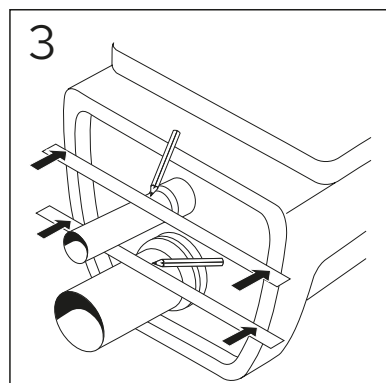
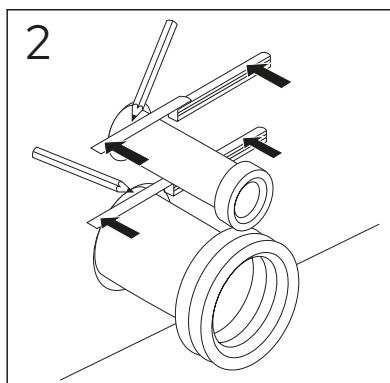
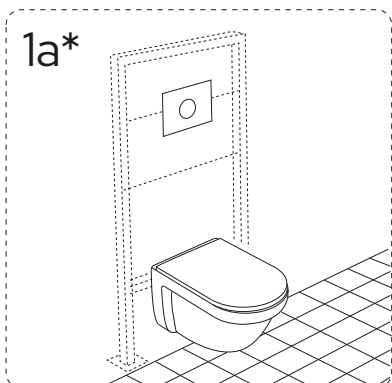
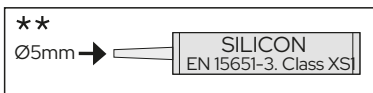


Accepterad
monteringsanvisning
2026:1



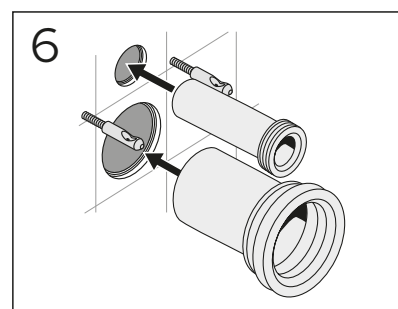
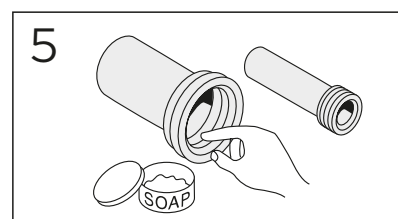
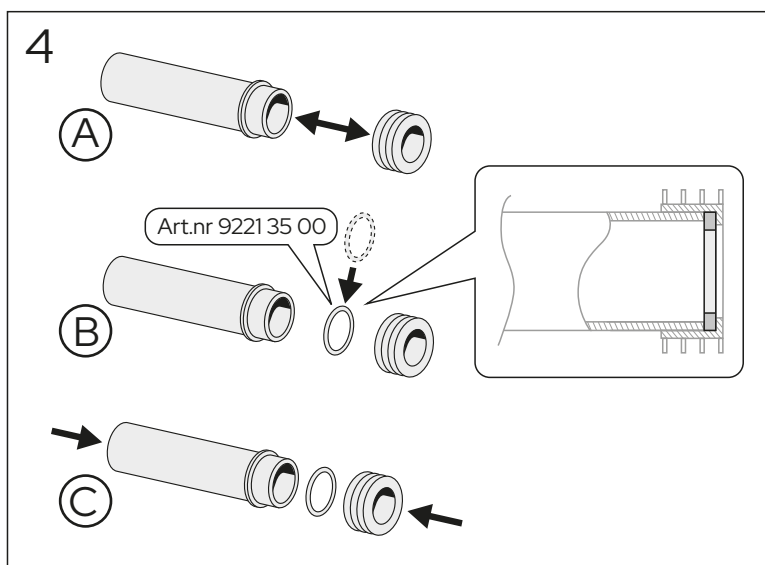
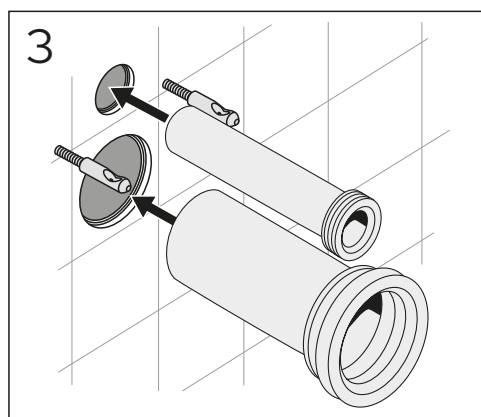
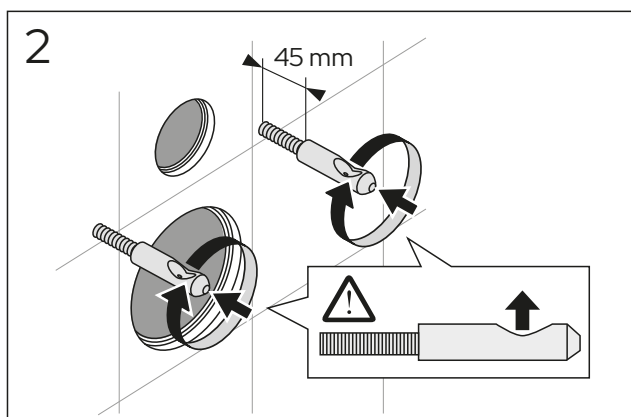
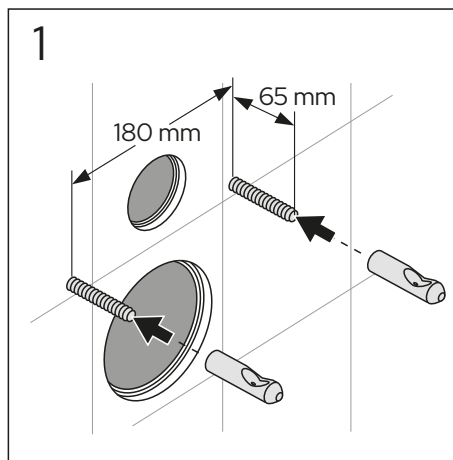
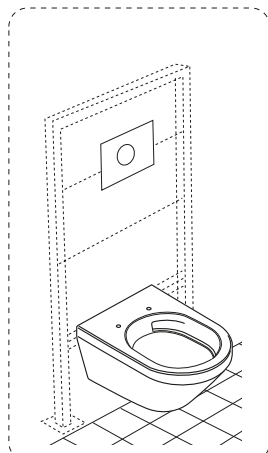
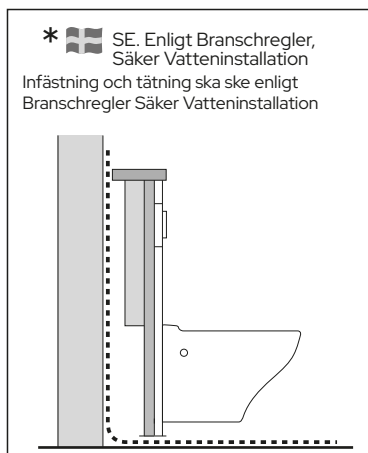


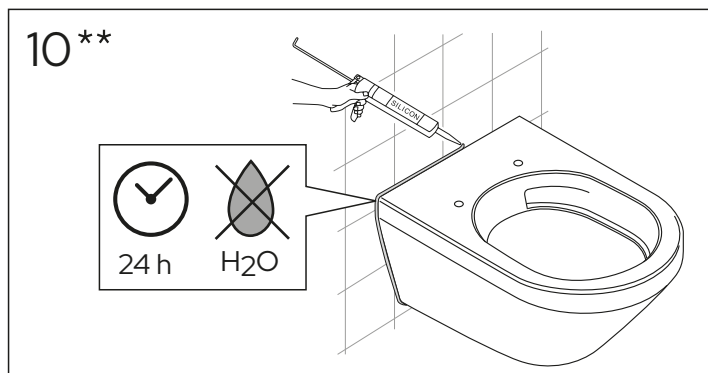
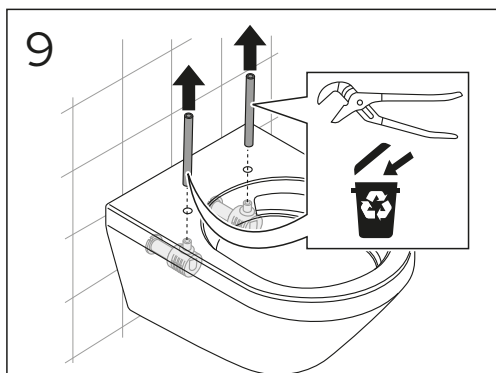
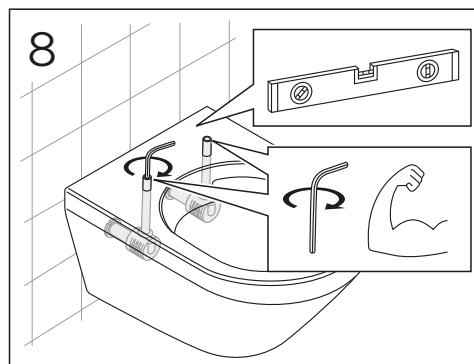
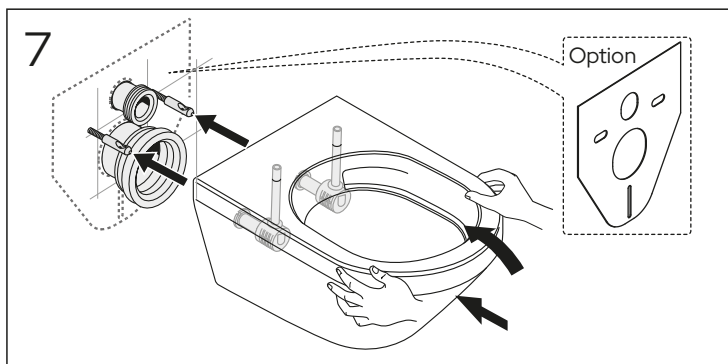
| Models | A | B | C | D | E | F | G | H | I |
|--------|-----|-----|-----|----|---------|-----|-----|-----|-----|
| 4330 | 530 | 370 | 410 | 50 | 180/230 | 220 | 320 | 355 | 90 |
| 5530 | 500 | 340 | 400 | 45 | 180/230 | 220 | 320 | 355 | 60 |
| 5693 | 505 | 305 | 400 | 55 | 180/230 | 220 | 320 | 355 | 50 |
| 5G84 | 530 | 370 | 410 | 85 | 180 | 220 | 320 | 355 | 70 |
| 3635 | 490 | 360 | 410 | 60 | 180 | 220 | 320 | 355 | 60 |
| 7G48 | 490 | 360 | 410 | 60 | 180 | 220 | 320 | 355 | 60 |
| 7G06 | 535 | 355 | 410 | 55 | 180 | 220 | 320 | 355 | 60 |
| 3530 | 535 | 355 | 410 | 55 | 180 | 220 | 320 | 355 | 60 |
| 3630 | 540 | 360 | 410 | 60 | 180 | 220 | 320 | 355 | 60 |
| 7G47 | 540 | 360 | 410 | 60 | 180 | 220 | 320 | 355 | 60 |
| 4G01 | 700 | 360 | 400 | 55 | 180 | 220 | 320 | 355 | 100 |
| 4G95 | 595 | 360 | 460 | 55 | 180 | 220 | 320 | 355 | 100 |
| 1530 | 510 | 350 | 400 | 50 | 180/230 | 220 | 320 | 355 | 35 |
| E930 | 530 | 370 | 410 | 55 | 180 | 220 | 320 | 355 | 65 |
| 3730 | 490 | 360 | 400 | 50 | 180 | 220 | 320 | 355 | 90 |





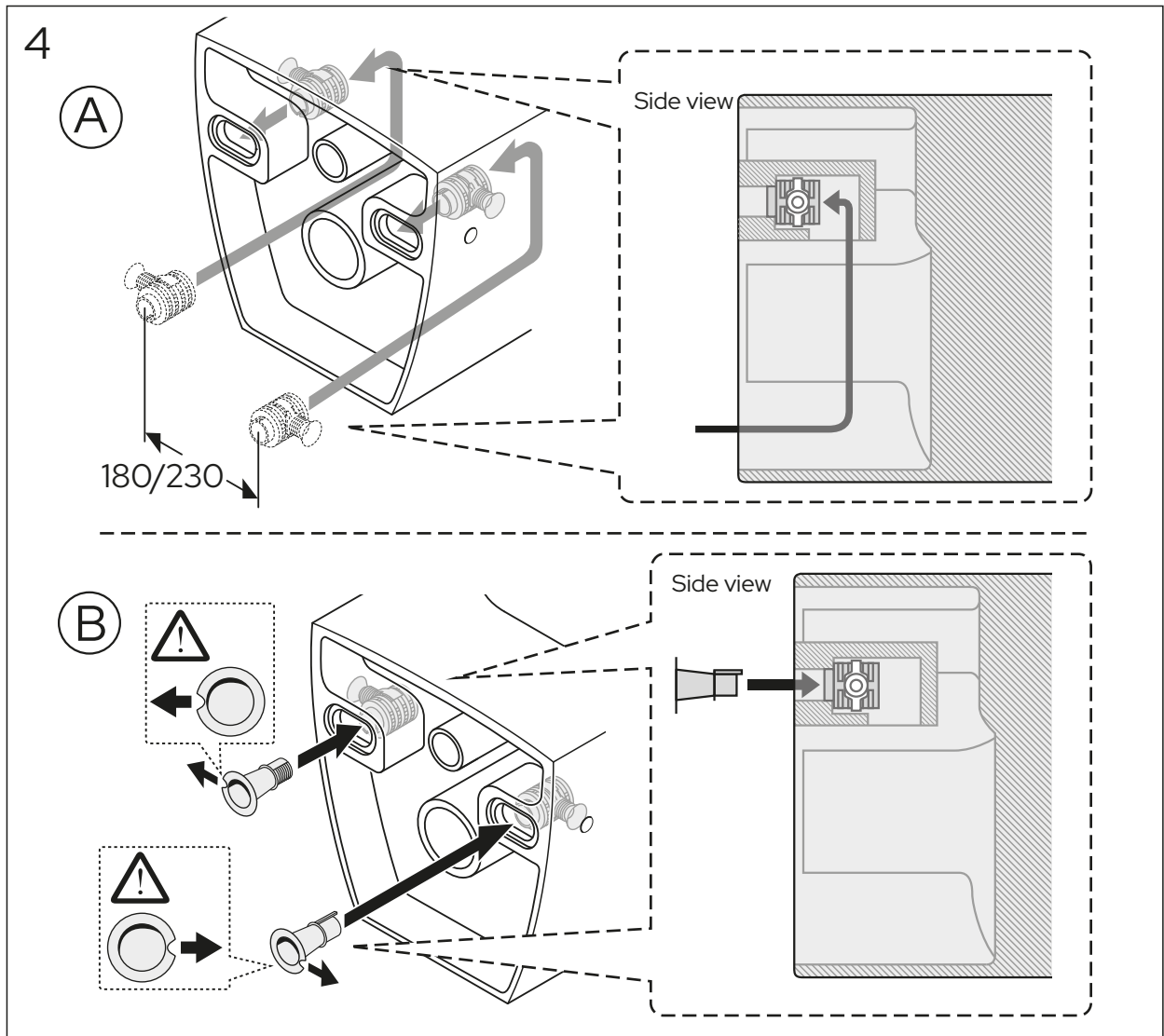
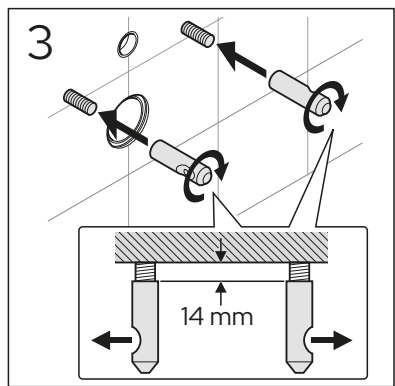
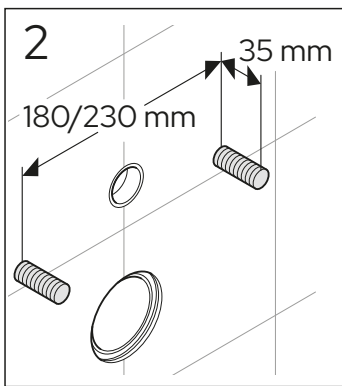
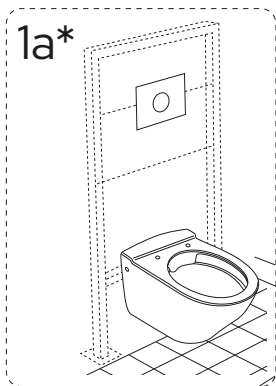
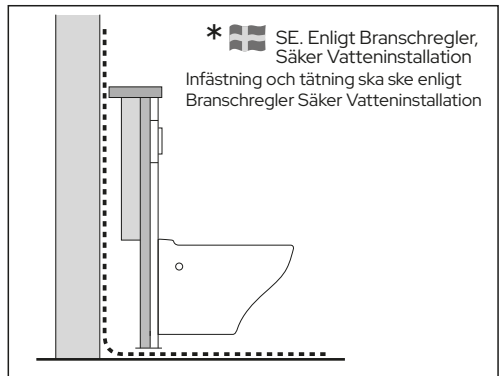
GRAPHIC E930

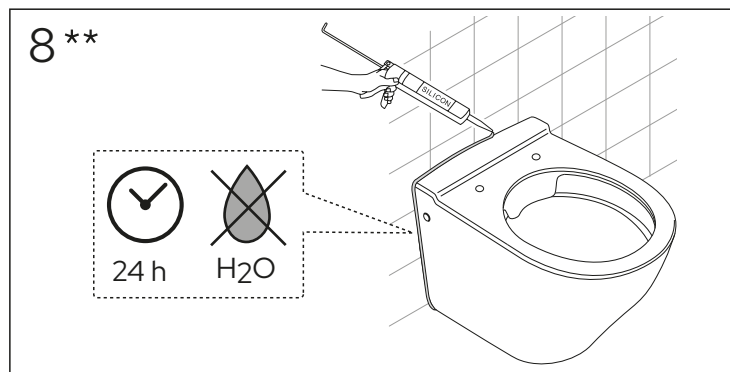
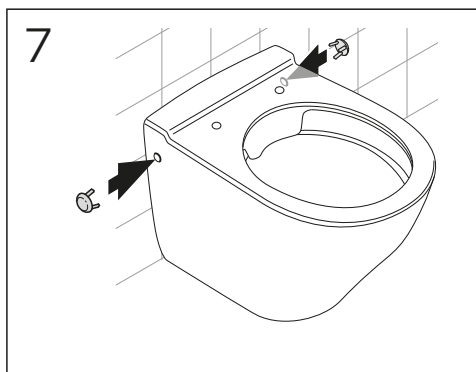
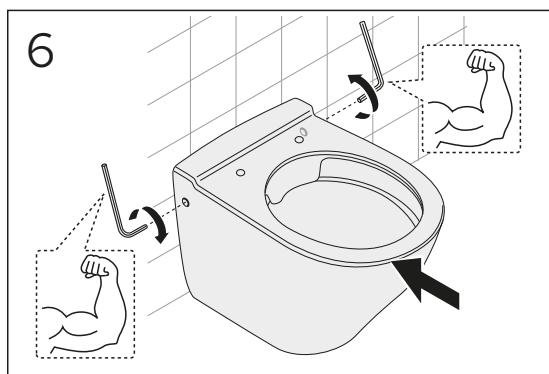
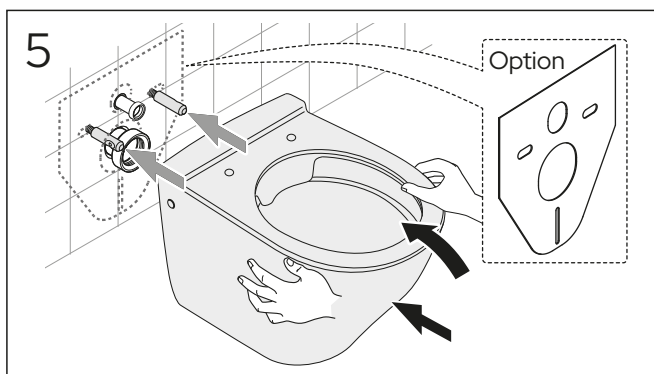


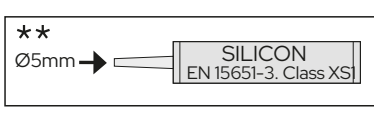
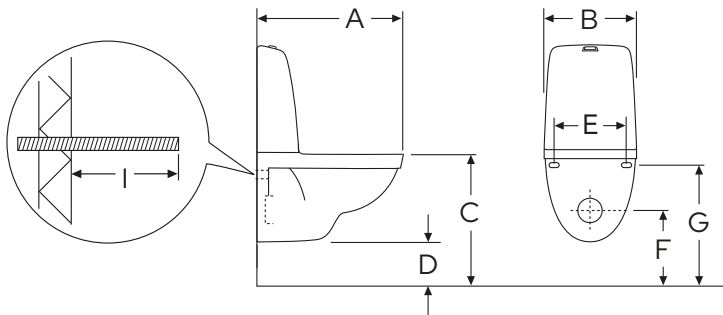
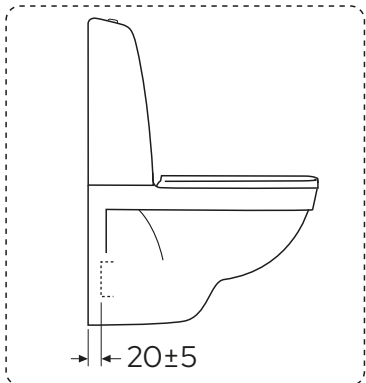




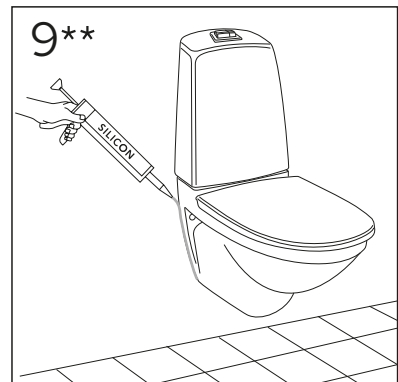
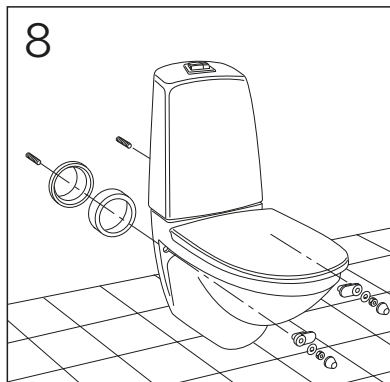
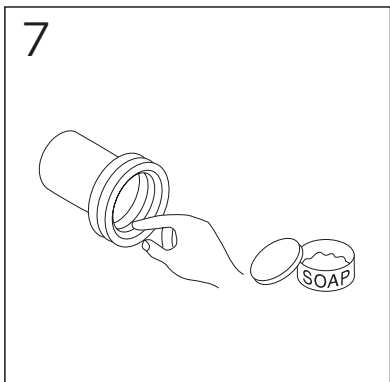
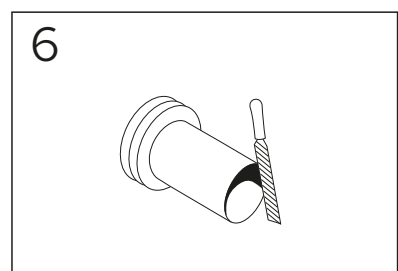
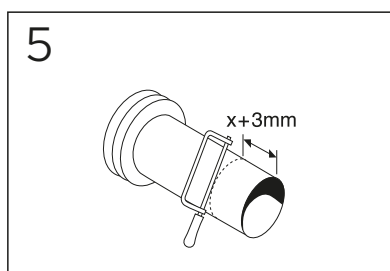
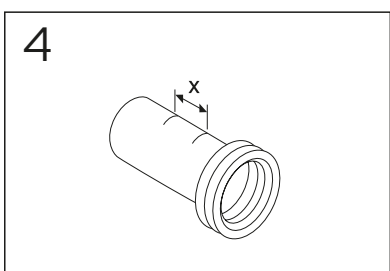
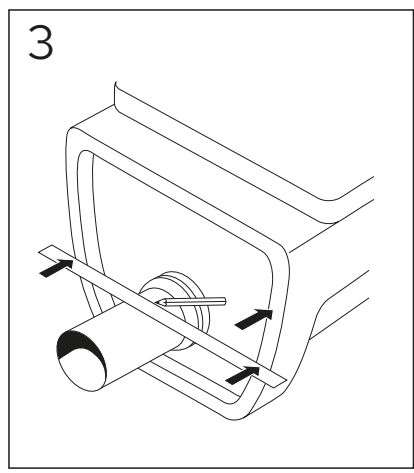
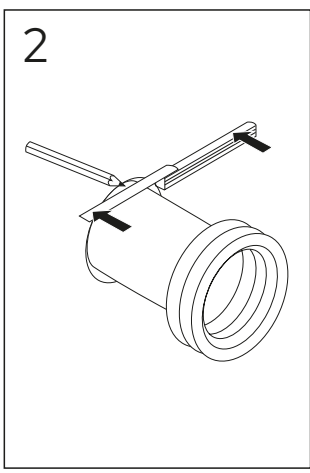
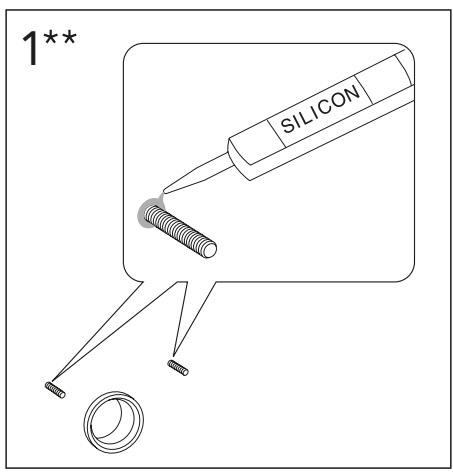
NAUTIC 1530







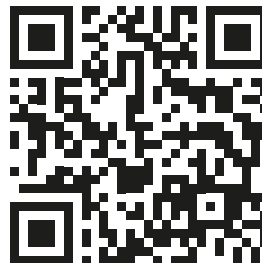
| Models | A | B | C | D | E | F | G | I |
|-----------|-----|-----|-----|----|---------|-----|-----|----|
| 1522/5522 | 700 | 345 | 400 | 50 | 180/230 | 220 | 320 | 60 |





Reservdelar
 Reservedeler
 Reservedele
 Varaosat
 Spare parts
 Varuosad
 Atsarginės dalys
 Rezerves daļas

Drift & skötsel
 Drift og vedligeholdelse
 Drift og vedlikehold
 Asennus-, käyttö- ja hoito-ohjeet
 Assembly and maintenance
 Paigaldamine & hooldamine
 Montaza un kopsana
 Montavimas ir priežiūra



Sweden
 Gustavsberg AB
 Odelbergs väg 11
 134 46 Gustavsberg

Norway
 Gustavsberg AS
 Smeltingelien 1
 0195 Oslo

Denmark
 Gustavsberg A/S
 Hobrovej 2
 2610 Rødovre

Finland
 Gustavsberg Oy
 Linnoitustie 6d
 02600 Espoo

Estonia
 Gustavsberg OY Esti Filialal
 F.R. Faehlmanni 6
 10125 Tallinn

Latvia
 Gustavsberg OY Latvijas Filiāle
 Roberta Hirsa iela 1, office 303
 LV-1045 Rīga

Lituania
 Gustavsberg OY filialas
 Polocko 28B-1
 Vilnius, LT 01205