

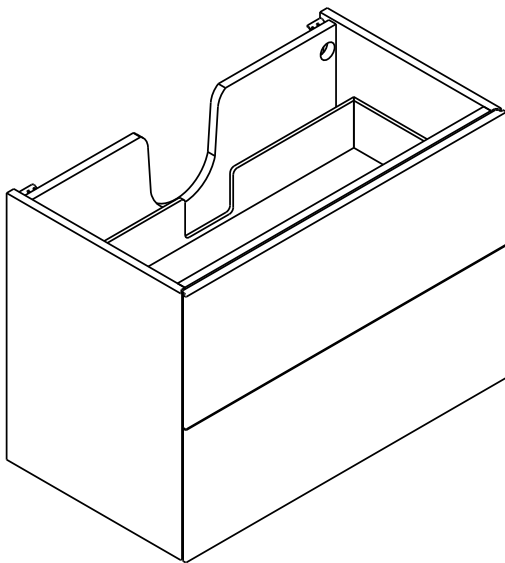


## Copenhagen Bath

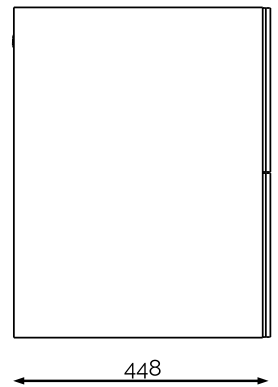
Bækkeskovvej 25  
DK-2665 Vallensbæk Strand  
MVA: DK32648622  
Telefon: (+45) 3696 0747  
contact@copenhagenbath.com  
www.copenhagenbath.com

# SQ2 80 double kabinett

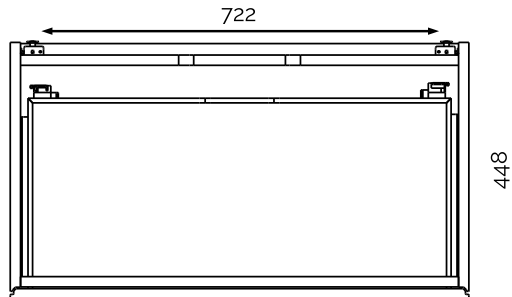
SKU: 30010121



Front Elevation



Side Elevation



Plan View

|                   |                      |
|-------------------|----------------------|
| <b>Farge:</b>     | Matt hvit            |
| <b>Størrelse:</b> | 57.6cm / 80cm / 45cm |
| <b>Vekt:</b>      | 42kg. netto          |

### SQ2 80 double kabinett detaljer: