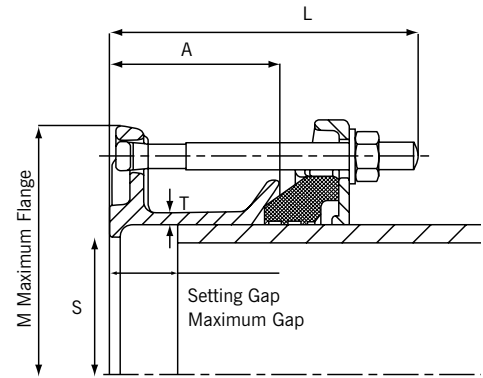


# MaxiDaptor Flange Adaptors

## Specifications

Working Pressure = 16bar (water)  
6bar (gas)



## Flange Adaptor

Nom Size	Size Range (mm)		Diameter (mm)	Bores (mm)	Overall Length (mm)	Sleeve Length x Thickness	Flange Drilling	Setting Gap (mm)		Bolts No.-Dia x Length	Gasket Mould No.	Weight (kg)	MaxiFit Plus Available
	Min	Max	M	S	L	(A) x (T)		Min	Max				
50	57.0	74.0	163.4	59.0	124.0	75.0 x 5.0	50 PN10:16, 2.5" BS10 Table ADE, 2" ANSI125	20.0	40.0	4-M12 x 115	12392/1	2.7	
65	63.0	85.0	196.9	75.0	124.0	75.0 x 5.0	60 PN10:16, 65 PN10:16, 80 PN10:16, 3" BS10 Table ADE, 2.5" ANSI125, 3" ANSI125 80 AS2129 CD, 80 AS4087 16	20.0	40.0	4-M12 x 115	12392/2	3.5	✓
80	85.0	107.0	202.5	101.0	124.0	75.0 x 5.0	80 PN10:16, 3" ANSI125, 3.5" BS10 Table AD, 3.5" BS10 Table E	20.0	40.0	4-M12 x 115	12392/3	3.7	✓
100	107.0	132.0	228.0	121.0	134.0	75.0 x 5.0	100 PN 10:16, 4" BS10 Table AD, 4" BS10 Table E, 4" AWWA C207 D, 100 AS2129 CD, 100 AS4087 16	20.0	40.0	4-M12 x 125	12392/4	4.4	✓
125	132.0	158.0	281.5	150.0	134.0	75.0 x 5.0	125 PN10:16, 150 PN10:16 5" BS10 Table A, 5" BS10 Table DE, 6" BS10 Table A, 6" BS10 Table D, 6" BS10 Table E, 6" AWWA C207 D, 125 AS2129 CD, 150 AS2129 CD, 125 AS4087 16, 150 AS4087 16	20.0	40.0	4-M12 x 125	12392/6	5.6	
150	158.0	184.0	281.2	173.0	134.0	75.0 x 5.0	150 PN10:16, 6" BS10 Table A, 6" BS10 Table D, 6" AWWA C207 D, 150 AS4087 16, 150 AS2129 CD,	20.0	40.0	4-M12 x 125	12392/7	6.0	
175	189.0	212.0	336.5	202.0	133.0	75.0 x 5.0	200 PN10:16, 8" BS10 Table AD, 8" AWWA C207 D, 200 AS2129 CD, 200 AS4087 16	25.0	40.0	4-M12 x 125	12392/9	8.3	
200	218.0	244.0	337.8	225.0	134.0	75.0 x 5.0	200 PN10:16, 8" BS10 Table AD, 8" AWWA C207 D, 200 AS2129 CD	25.0	40.0	4-M12 x 125	12392/10	8.3	
225	243.0	269.0	401.5	252.0	144.0	85.0 x 5.0	250 PN10:16, 250 AS4087 16	25.0	50.0	6-M12 x 135	12392/11	10.9	
250	266.0	295.0	402.1	277.0	146.0	85.0 x 5.0	250 PN10:16, 250 AS4087 16	25.0	50.0	6-M12 x 135	12392/12	11.4	
300	315.0	349.0	457.8	329.0	155.0	100.0 x 5.0	300 PN10:16, 12" BS10 Table D, 300 AS2129 CD	25.0	60.0	6-M12 x 145	12392/14	14.8	

## Materials & Relevant Standards

### End Ring and Adaptor Body/Centre Sleeve

Ductile Iron to BS EN 1563 Symbol EN GJS-450-10

### Gasket

EPDM compound Grade E to BS EN 681-1, Type WA, WC

Nitrile compound to Grade G BS EN 682, Type G

### Tee Bolts/Bolts

Steel to BS EN ISO 898-1 Property Class 4.8

### Bolt Torque/Spanner

Bolt torque 55-65Nm, Spanner size A/F 19mm

### Nuts

Steel to BS EN 4190 Grade 4

### Washers

Stainless Steel to BS 1449:Part 2 Grade 304S15 Standard

Every effort has been made to ensure that the information contained in this publication is accurate at the time of publishing. Crane Ltd assumes no responsibility or liability for typographical errors or omissions or for any misinterpretation of the information within the publication and reserves the right to change without notice.