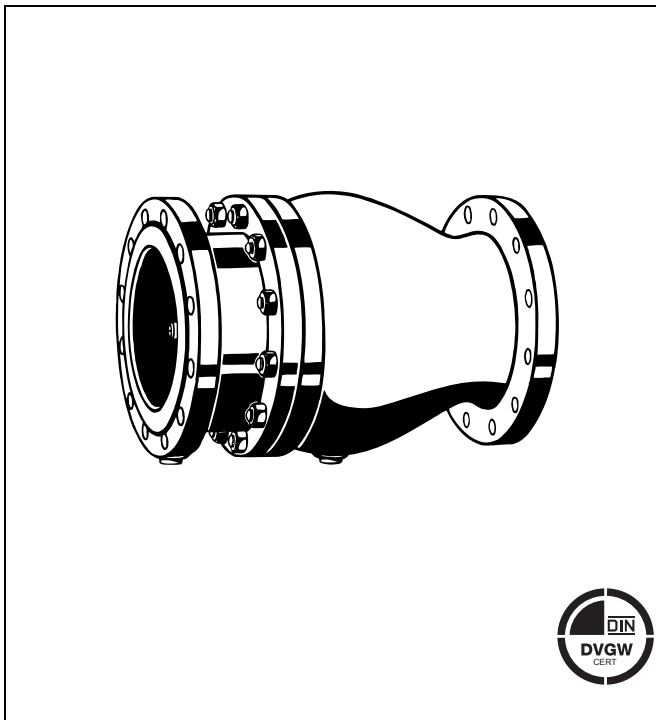


RV283P

Controllabel anti-pollution check valve with flanges

Product specification sheet



Construction

The check valve comprises:

- Housing with flanges
- Housing end casing with flanges
- Test and drain plugs
- Disc and disc guide
- Spring
- Disc lip seal ring

Materials

- Grey cast iron housing end and housing
 - o Powdercoated with:
 - High-performance polyamide (DN50 - DN100)
 - High-performance epoxy resin (DN125 - DN300)
- Stainless steel screws and nuts
- Stainless steel disc (red bronze for DN 40 and DN 50)
- Stainless steel spring
- EPDM for lip seal ring

Application

Check valves are preferably for use as an independent means of preventing reverse water flow and are for installing directly after a water meter, but also for application in transfer pipes on district water supply systems.

They can also be used for industrial, commercial and similar systems where back pressure, back flow and back syphonage must be prevented.

The types of safety devices required for these purposes are specified in EN 1717.

Special Features

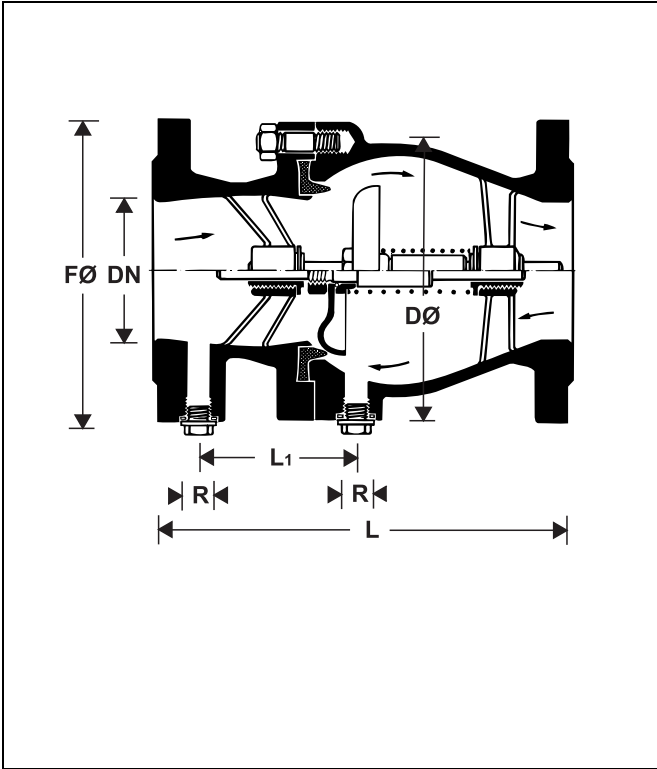
- DIN/DVGW-certified where applicable (for DN40-DN150)
- Universal application
- High temperature resistance
- Create no shock pressure loadings
- Powder coated inside and outside
- Meets KTW regulations for potable water
- Disc, spring and lip seal ring are exchangeable
- Low pressure loss

Range of Application

Medium	Drinking water
Inlet pressure	max. 16.0 bar

Technical Data

Operating temperature	65 °C
Opening pressure	approx. 0.05 bar
Connection size	DN40 - DN300



Method of Operation

Spring loaded check valves have a moving seal disc which is lifted off the seat by a greater or lesser amount depending on the flow rate through the valve. If the flow falls towards zero, then the spring pushes the disc back onto the seat and seals the waterway.

To ensure continuing correct function it is recommended that check valves be regularly checked and maintained (as specified in EN 1717).

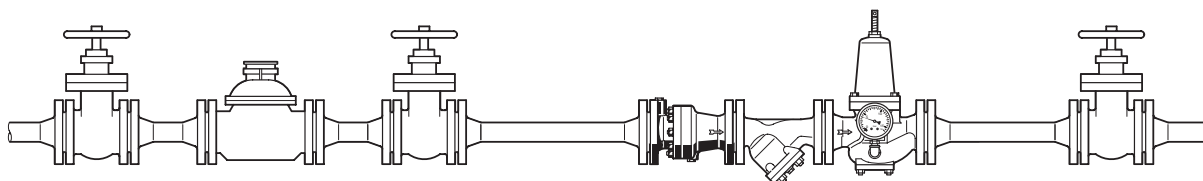
Options

RV283P-... A = With drilled flanges, PN16, ISO 7005-2, EN 1092-1, DN40 - DN300, EPDM lip seal ring

Connection size

Connection size	R	40	50	65	80	100	125	150	200	250	300	
Weight	approx. kg	9	11	17	21	29	37	62	78	155	180	
Dimensions	mm											
	L	180	200	240	260	300	350	400	500	600	700	
	L ₁	37.5	36.5	89	107	111.5	131.5	149	163	186	218	
	ØF	150	165	185	200	220	250	285	340	405	460	
	ØD	150	165	185	200	220	250	285	345	420	475	
Test and drain plugs	R	1/4"	1/4"	1/2"	1/2"	1/2"	3/4"	3/4"	3/4"	3/4"	3/4"	
K _{vs} -value	m ³ /h	39	62	110	170	240	420	760	1400	2100	3000	
Nominal flow rate in m ³ /h at Δp = 0.15 bar		15.1	24.0	43.0	66.0	93.0	163.0	295.0	542.0	813.0	1162.0	
DIN/DVGW Registration No.		NW - 6310 BU 0492							Approval not compulsory			

Installation Example



Installation Guidelines

- Install in horizontal pipework with test and drain plugs downwards
 - This position is best for draining
- Install shutoff valves
 - Shutoff valves provide optimal serviceability
- Ensure good access
 - Simplifies maintenance and inspection
- Install right after water meter if applicable
 - Protects against backflow from water systems

Typical Applications

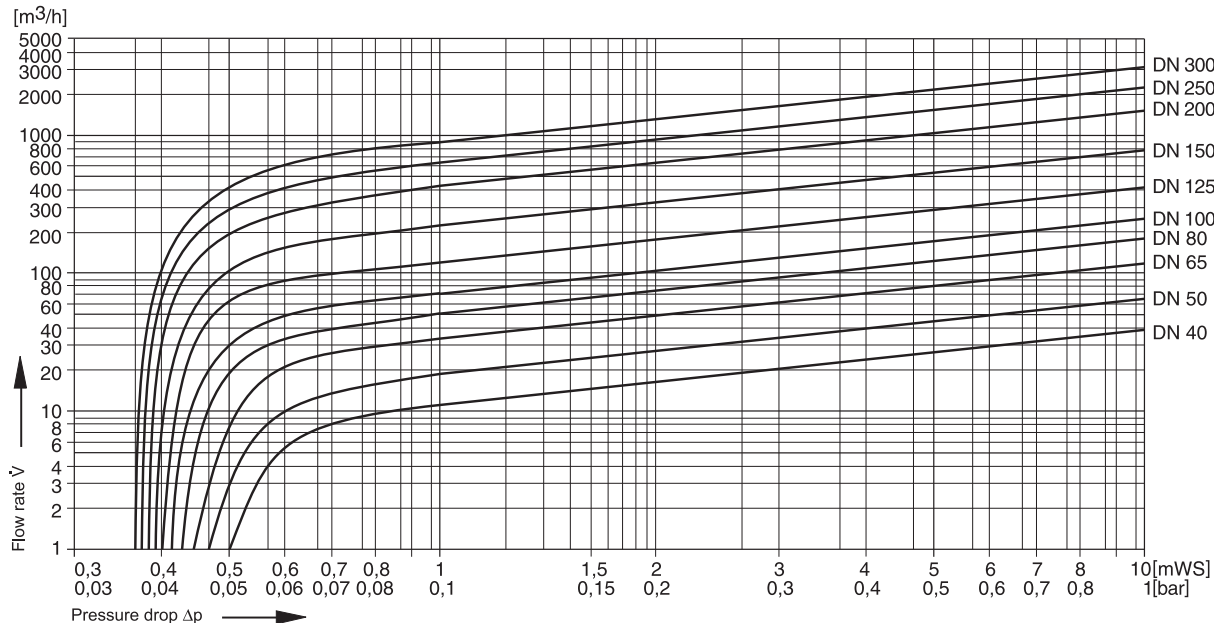
Check valves of this type are suitable for use as a safety device on water installations as well as for district water supply mains as specified in EN 1717.

They can also be used for commercial, industrial or similar water supply systems.

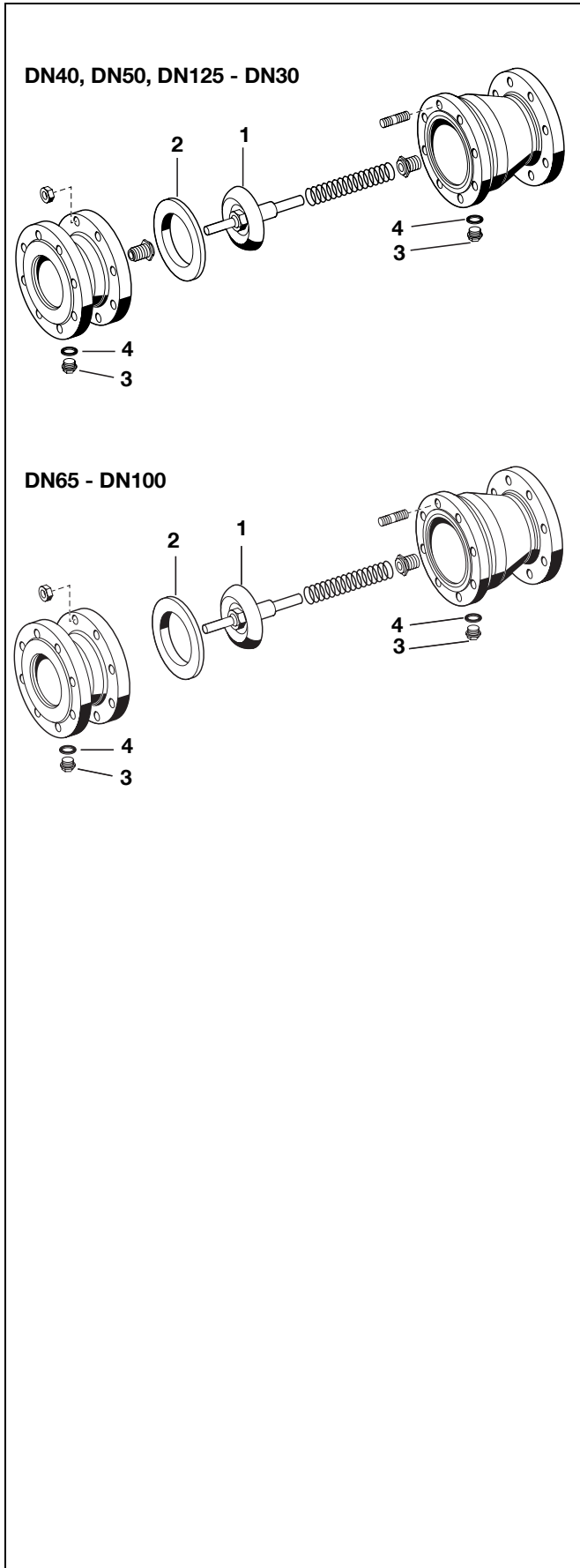
The following are some typical applications:

- In central water supply systems
- After a water meter
- As a safety device up to liquid category 2 of EN 1717
- Downstream of pumping installations
- Upstream of water heating installations
- In laundries
- In refineries
- In district heating systems

Flow Diagram



EN0H-1203GE23 R0514 • Subject to change



Spare Parts

Check valve RV283P, from 2000 onwards

No.	Description	Dimension	Part No.
1	Valve disc guide	DN40	5605800
		DN50	5605900
		DN65	0900376
		DN80	0900377
		DN100	0900378
		DN125	0900379
		DN150	0900380
		DN200	0900381
		DN250	0900382
		DN300	0900383
2	Lip seal ring	DN40	2238700
		DN50	2238800
		DN65	5350000
		DN80	5350300
		DN100	5350400
		DN125	2070300
		DN150	2067300
		DN200	2238900
		DN250	2239000
		DN300	2239100
3	Hexagonal blanking plug	DN40 - DN50	5726800
		DN65 - DN100	2248700
		DN125 - DN300	2591000
4	Seal ring	DN40 - DN50	2166600
		up to 06/2013	
		DN40 - DN50	0904122
		from 07/2013	
		onwards	
	DN65 - DN100	5350500	
	DN125 - DN300	2698000	

Automation and Control Solutions

Honeywell GmbH
 Hardhofweg
 74821 MOSBACH
 GERMANY
 Phone: (49) 6261 810
 Fax: (49) 6261 81309
<http://ecc.emea.honeywell.com>

Manufactured for and on behalf of the
 Environmental and Combustion Controls Division
 of Honeywell Technologies Sàrl, Z.A. La Pièce 16,
 1180 Rolle, Switzerland by its Authorised Representative Honeywell GmbH

EN0H-1203GE23 R0514
 Subject to change without notice
 © 2014 Honeywell GmbH

